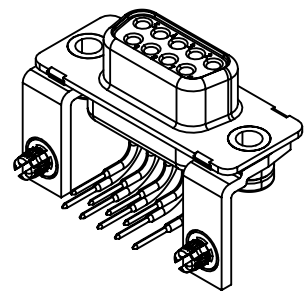
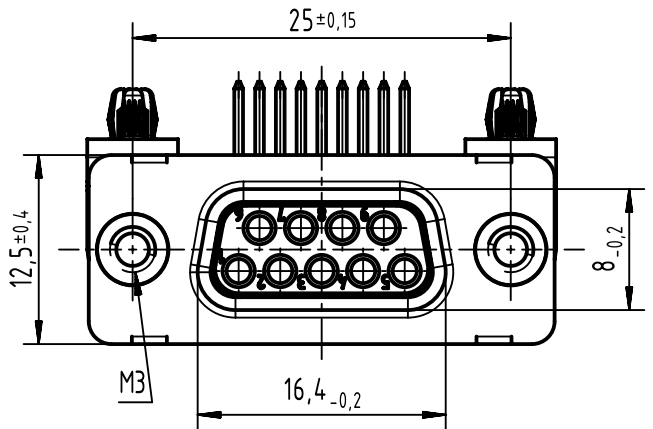
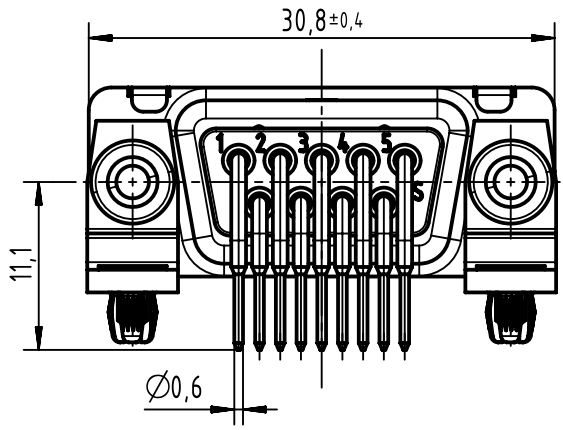
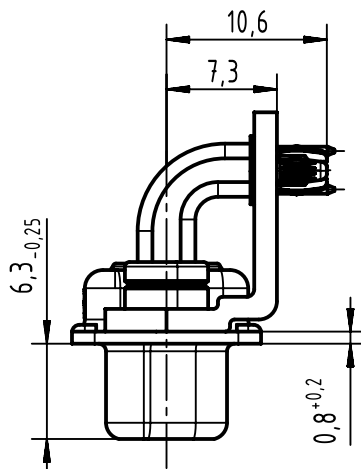
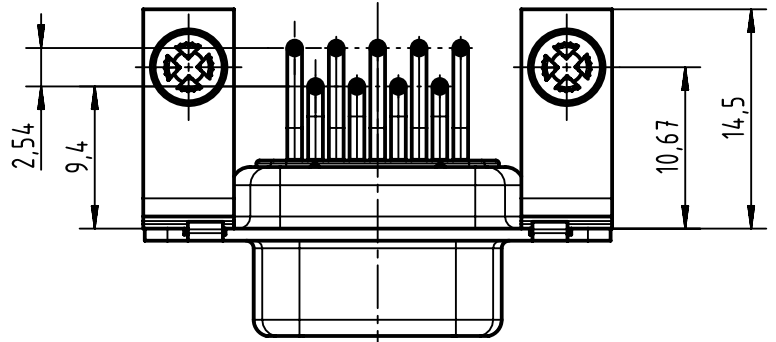
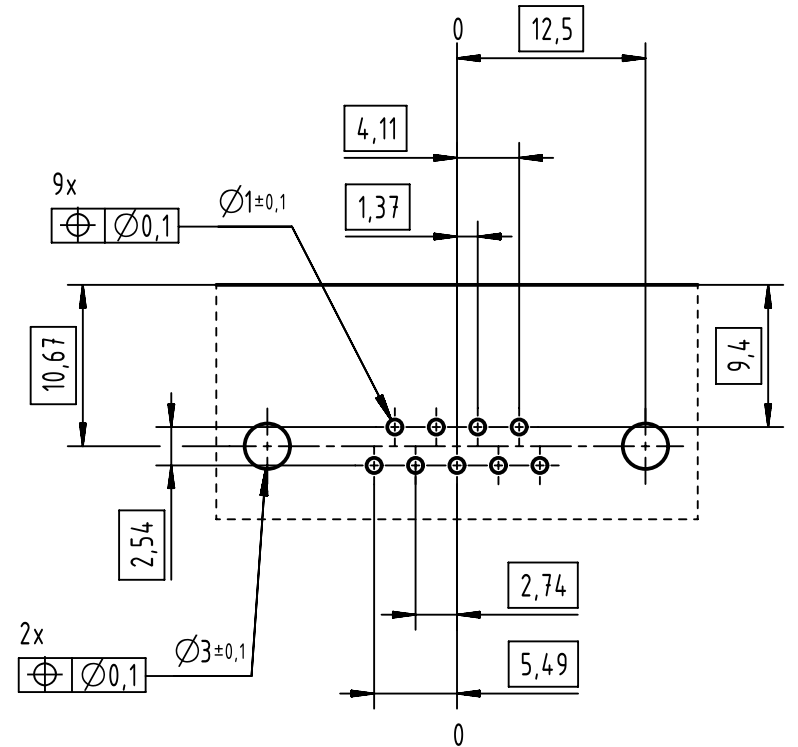


1 2 3 4 5 6

A
B
C
D



PCB layout view component side



	All Dimensions in mm Original Size DIN A4		Scale	Free size tol.		Ref.	
	All rights reserved Department EC PD - FR		2:1			Sub.	
HARTING Electronics GmbH D-32339 Espelkamp		Created by	Inspected by	Standardisation	Date	State	
		ZHUANGJ	LUOK	SCHREIER	2020-08-12	Final Release	
Title D-Sub 09-pole MinD ANG female BL nut M3 PL2						Doc-Key / ECM-Nr. 100905973/UGD/000/A 500000177376	
			Type	Number		Rev.	Page
			TB	09671526801		A	1/1