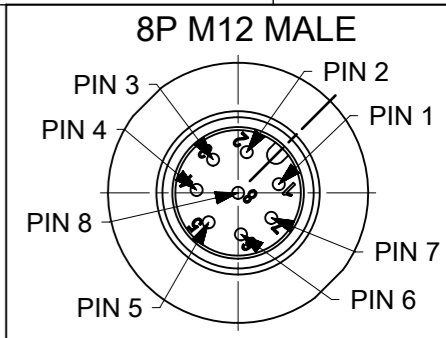
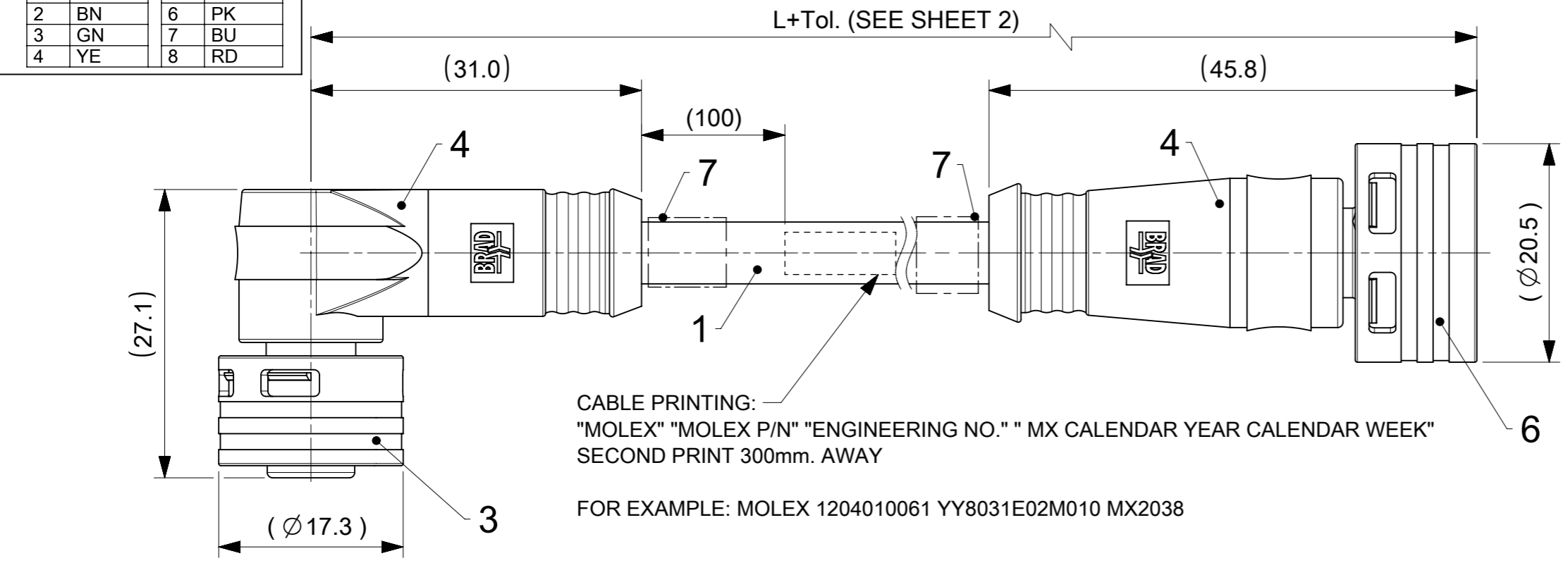


PIN	WIRE COLOR	PIN	WIRE COLOR
1	WH	5	GY
2	BN	6	PK
3	GN	7	BU
4	YE	8	RD

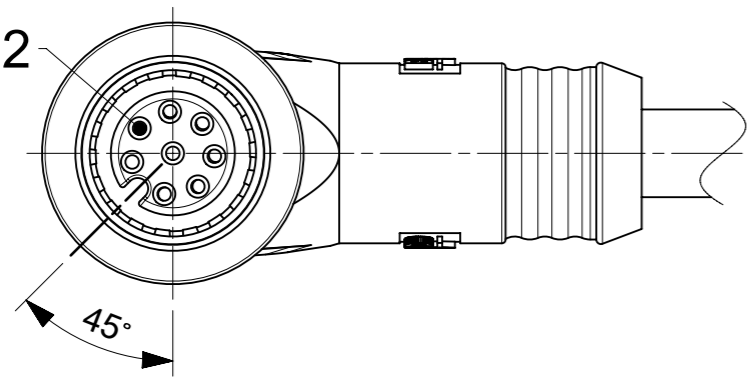
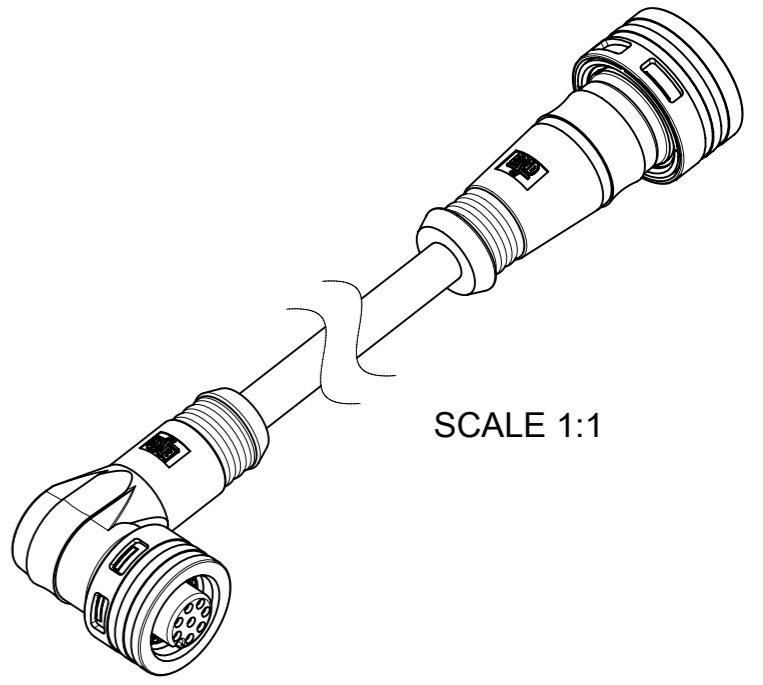
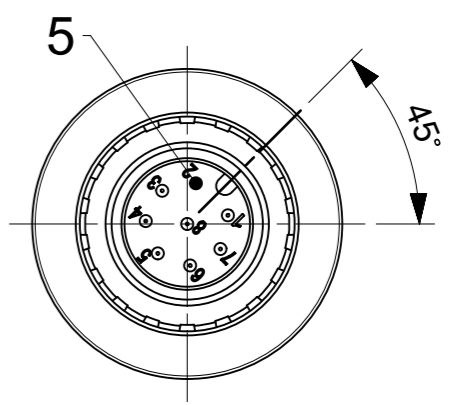


PIN	WIRE COLOR	PIN	WIRE COLOR
1	WH	5	GY
2	BN	6	PK
3	GN	7	BU
4	YE	8	RD



CABLE PRINTING:
 "MOLEX" "MOLEX P/N" "ENGINEERING NO." " MX CALENDAR YEAR CALENDAR WEEK"
 SECOND PRINT 300mm. AWAY

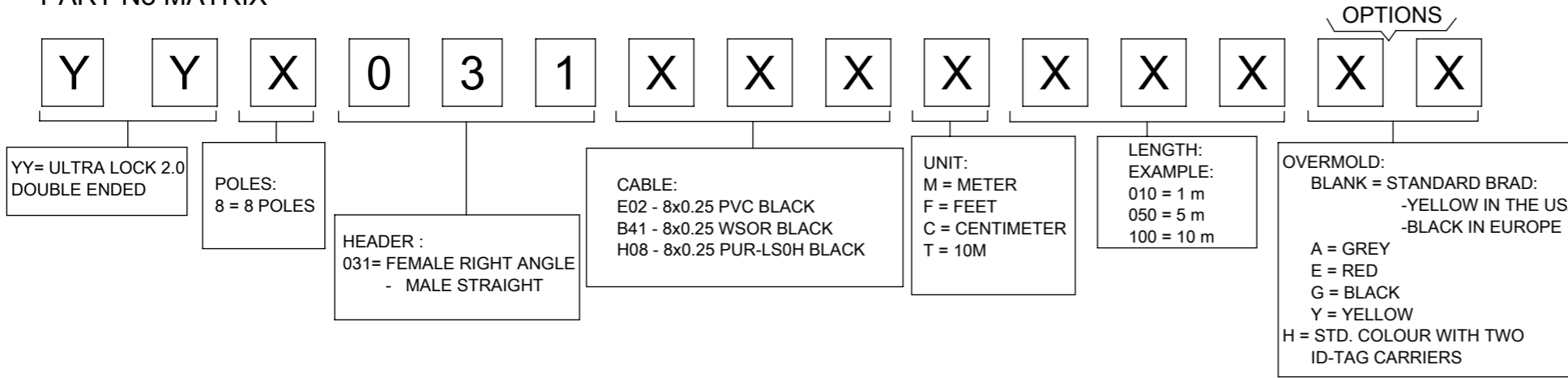
FOR EXAMPLE: MOLEX 1204010061 YY8031E02M010 MX2038



- NOTES:
- PARTS ACC. TO PRODUCT SPECIFICATION
1204000001 PS P10 AND IN STYLE OF IEC-61076-2-010
 - BOM & PART LIST - SEE SHEET 2
 - RATED VOLTAGE :
8 CONTACTS: 30V AC OR DC
RATED CURRENT:
8 CONTACTS: 2A, DERATING HAS TO BE CONSIDERED
OVERVOLTAGE CATEGORY: 3
POLLUTION DEGREE: 3, ONLY IN MATED
AND LOCKED CONDITION
 - PROTECTION CLASS: IP 67, ONLY IN MATED
AND LOCKED CONDITION
 - TEMPERATURE RANGE:
TEMPERATURE PLUG/SOCKET: -40 °C TO +85 °C
TEMPERATURE CABLE: SEE CABLE LIST
 - MECHANICAL OPERATIONS: 100 CYCLES
 - MATES WITH ULTRA-LOCK M12 RECEPTACLES
 - PACKAGING: THE CORDSETS ARE SINGLE PACKED IN
PLASTIC BAGS AND DELIVERED IN CARTON BOXES
 - UL FILE: CERTIFICATION IN PROCESS

FUNCTIONAL SYMBOLS	THIS DRAWING CONTAINS INFORMATION THAT IS PROPRIETARY TO MOLEX ELECTRONIC TECHNOLOGIES, LLC AND SHOULD NOT BE USED WITHOUT WRITTEN PERMISSION		CURRENT REV DESC: NOTES AND CABLE LIST UPDATED		
	$\nabla_A = 0$ $\nabla_E = 0$ $\nabla_V = 0$	DIMENSION UNITS: mm SCALE: 2:1	GENERAL TOLERANCES (UNLESS SPECIFIED) ANGULAR TOL ± 1.0° 4 PLACES ± 3 PLACES ± 2 PLACES ± 0.05 1 PLACE ± 0.3 0 PLACES ± 0.5		
DIVISIONAL SYMBOLS	DRAFT WHERE APPLICABLE MUST REMAIN WITHIN DIMENSIONS		THIRD ANGLE PROJECTION	DRAWING: A3-SIZE SERIES: 120401	PRODUCT CUSTOMER DRAWING
	INITIAL REVISION: DRWN: MDHARMANTI 2021/03/18 APPR: RSILLER 2022/10/14		DOCUMENT NUMBER: 1204010061	DOC TYPE: PSD DOC PART: 000 REVISION: A1	MATERIAL NUMBER: SEE SHEET 2 CUSTOMER: GENERAL MARKET SHEET NUMBER: 1 OF 2

PART No MATRIX



CABLE LIST

8P	CABLE TYPE	DESCRIPTION	MATERIAL	FINISH/COLOR	FIXED INSTALLATION *		FLEXIBLE INSTALLATION **		DRAG CHAIN	
					MIN.	MAX.	MIN.	MAX.	MIN.	MAX.
X	E02	8X0.25MM;UNSHLD;PVC;BK;OD=6.60MM	PVC	BLACK	-30°C	+80°C	-10°C	+80°C	NOT SUITABLE	
X	B41	CABLE 8X0.25 TPU BK D6.40 TPE UNSH DCS	PUR WSOR	BLACK	-40°C	+90°C	-25°C	+80°C	-5°C	+60°C
X	H08	CABLE PUR;BLK 8X0.25MM-LSOH;UL OD=6.10	PUR-LS0H	BLACK	-40°C	+80°C	-25°C	+80°C	+5°C	+60°C

* FIXED POSITION WITHOUT ACCIDENTAL CRUSHING OF VIBRATION.
 ** FREE MOTION WITHOUT PERIODIC RECURRENCE OR FORCED GUIDANCE.

PART LIST

MOLEX NO.	ENGINEERING NO.	LENGHT (mm)
1204010061	YY8031E02M010	1000
1204010062	YY8031E02M020	2000
1204010063	YY8031E02M050	5000
1204010064	YY8031E02M100	10000
1204010065	YY8031B41M010	1000
1204010066	YY8031B41M020	2000
1204010067	YY8031B41M050	5000
1204010068	YY8031B41M100	10000
1204010069	YY8031H08M010	1000
1204010070	YY8031H08M020	2000
1204010071	YY8031H08M050	5000
1204010072	YY8031H08M100	10000

BILL OF MATERIAL

ITEM	QTY	DESCRIPTION	MATERIAL	FINISH/COLOR
1	-	CABLE	SEE CABLE LIST	SEE CABLE LIST
2	8	CONTACT 8 FE TUR AU	BRASS	GOLD OVER NICKEL PLATED
3	1	PLG U12 8P AC FE PA UNSH	-	-
4	2	OVERMOLD	TPC	SEE MATRIX
5	8	CONTACT 8 MA TUR AU	BRASS	GOLD OVER NICKEL PLATED
6	1	PLG U12 8P AC MA PA UNSH WT	-	-
7	SEE PN MATRIX *	I/D CARRIER DIA 4-7MMX30MM	PVC	TRANSPARENT

* IF IN MATRIX IS "H" - INDICATES ID-CARRIERS ON THE BOTH SIDES HARNESS

CABLE LENGTH TOLERANCES	
LENGTH	TOLERANCE
0m-1m	+40 mm
>1m-5m	+60 mm
>5m-10m	+80 mm
>10m-20m	+140 mm
>20m-30m	+160 mm
>30m	+1% length

FUNCTIONAL SYMBOLS	THIS DRAWING CONTAINS INFORMATION THAT IS PROPRIETARY TO MOLEX ELECTRONIC TECHNOLOGIES, LLC AND SHOULD NOT BE USED WITHOUT WRITTEN PERMISSION
$\nabla/A = 0$ $\nabla/E = 0$ $\nabla/P = 0$	DIMENSION UNITS: mm SCALE: 2:1 GENERAL TOLERANCES (UNLESS SPECIFIED) ANGULAR TOL ± 1.0° 4 PLACES ± 3 PLACES ± 2 PLACES ± 0.05 1 PLACE ± 0.3 0 PLACES ± 0.5 DRAFT WHERE APPLICABLE MUST REMAIN WITHIN DIMENSIONS
DIVISIONAL SYMBOLS	CURRENT REV DESC: NOTES AND CABLE LIST UPDATED EC NO: 736602 DRWN: RSCHIEBER CHK'D: RSILLER APPR: RSILLER 2023/01/26 2023/01/31 2023/01/31
CSE U12 8P AC FE RA MA STR XM DE UNSH BK	
PRODUCT CUSTOMER DRAWING	
INITIAL REVISION:	DOCUMENT NUMBER
DRWN: MDHARMANTI APPR: RSILLER 2021/03/18 2022/10/14	1204010061
THIRD ANGLE PROJECTION	DOC TYPE
DRAWING: A3-SIZE	PSD
SERIES: 120401	DOC PART
MATERIAL NUMBER: SEE PART LIST	000
CUSTOMER: GENERAL MARKET	REVISION: A1
SHEET NUMBER: 2 OF 2	

DOCUMENT STATUS	P1	RELEASE DATE	2023/01/31	08:21:25
-----------------	----	--------------	------------	----------