

Product leaflet

Product
Protective film

Model No.
SR 343
SR 353

Ordering No.
T01-1204
T01-1205

Product Description

The protective films are used for protecting the visor of the Sundström SR 200 full face mask against fouling, e.g. during spray painting.

The **SR 343** is of spherical shape and fits the SR 200 with polycarbonate visor.

The **SR 353** is flat and fits the SR 200 with glass visor.

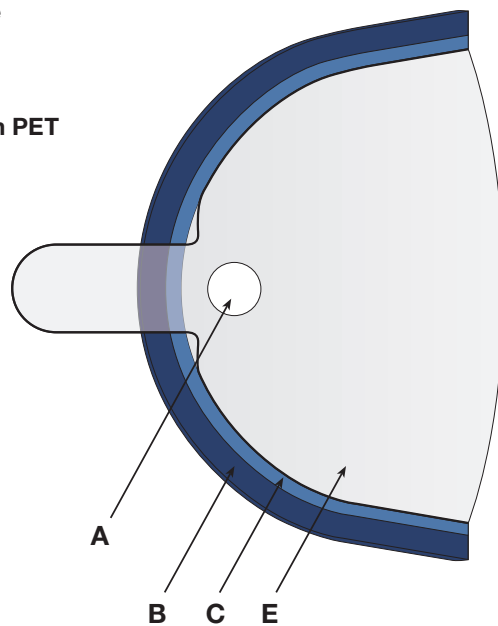
The outer edges of the film are provided with double-sided adhesive tape that keeps the films in place. No more than three films should be fitted at a time. The film is delivered in a pack of ten.

Technical specification

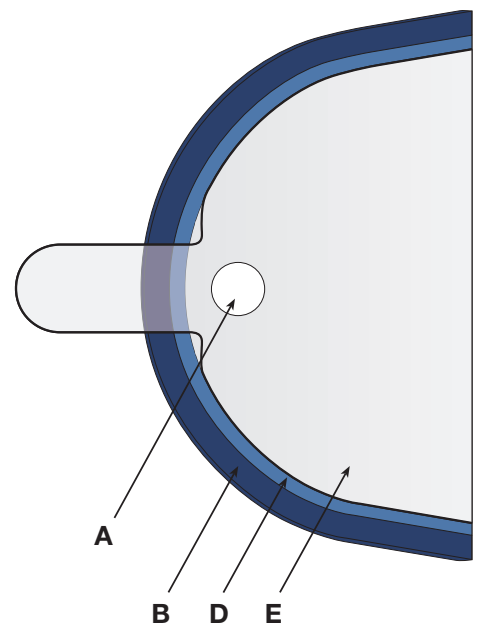
SR 343, SR 353

Material	Polyester
Thickness	0,2 mm

- A. Adhesive tape
- B. Frame
- C. PC visor
- D. Glass visor
- E. Protective film PET



SR 343



SR 353



Head Office

Tel: +46-(0)8-562 370 00
Fax: +46-(0)8-562 370 20

P.O. Box 10056
SE-181 10 Lidingö
Sweden

Visiting address:
Vasavägen 84
SE-181 10 Lidingö

Factory

Tel: +46-(0)8-562 370 00
Fax: +46-(0)8-562 370 60

P.O. Box 76
SE-340 14 Lagan
Sweden

Visiting address:
Västergatan 4
SE-340 14 Lagan

Sundström 
www.srsafety.se