

GN 919 | Hubs with eccentric cam

Steel



- 1
- 2
- 3
- 4
- 5
- 6
- 7
- 8
- 9
- 10
- 11
- 12
- 13
- 14
- 15
- 16
- 17
- 18

MATERIAL

Sintered and case-hardened steel.

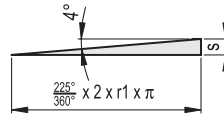
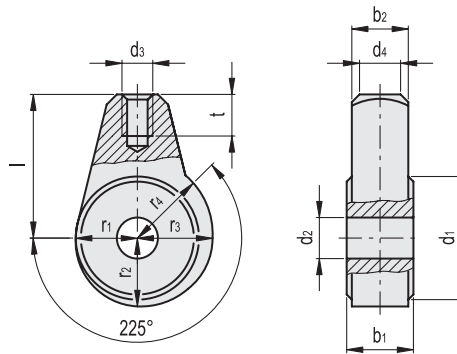
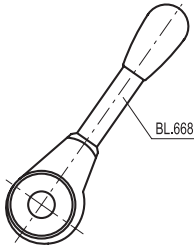
FEATURES AND APPLICATIONS

GN 919 hubs with eccentric cam are used for adjusting and clamping operations.

The clamping force keeps steady and the cam locks automatically in any position along its rotation.



Application examples



Machine elements

946

Code	Description	d1	d2 H9	d3	d4	b1 -0.05 -0.15	b2	l	r1	r2	r3	r4	s	tmin	
GN.31861	GN 919-24-B8	24	8	M6	8	13	11	28	12	13.32	14.64	15.3	3.3	9	59
GN.31871	GN 919-30-B10	30	10	M8	10	15	13	32	15	16.65	18.3	19.12	4.1	12	100
GN.31881	GN 919-35-B12	35	12	M10	12	17	15	36	17.5	19.42	21.34	22.31	4.8	15	150