

E60036

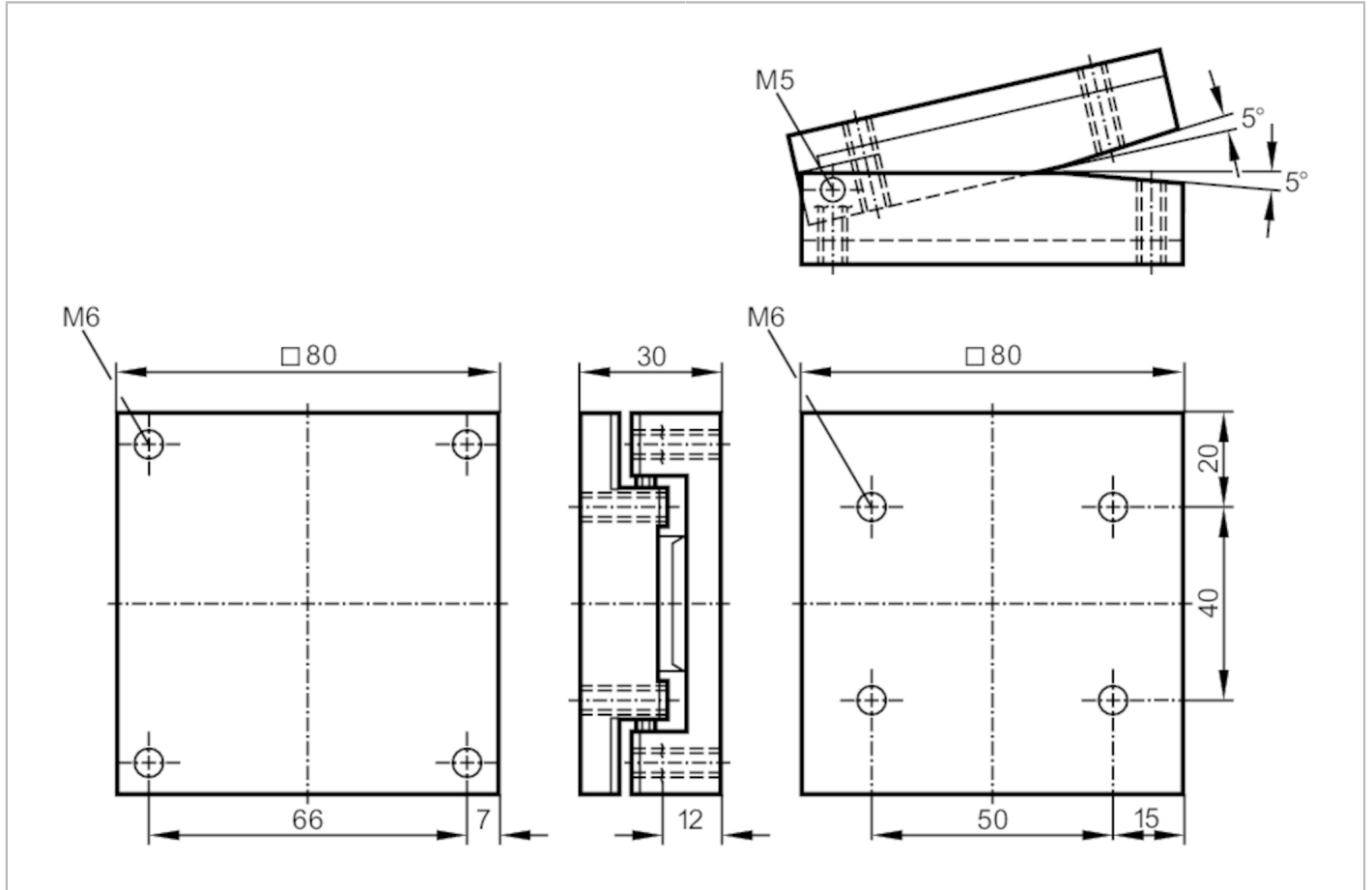


Resilient base for angle flanges

RESILIENT BASE

discontinued article

Alternative article: E61438 When selecting an alternative article and accessories please note that technical data may differ! – When selecting an alternative article and accessories please note that technical data may differ!



Mechanical data	
Weight	[g] 402.5
Dimensions	[mm] 80 x 80 x 30
Materials	aluminium black anodised
Remarks	
Pack quantity	1 pcs.

discontinued article

Alternative article: E61438 When selecting an alternative article and accessories please note that technical data may differ! – When selecting an alternative article and accessories please note that technical data may differ!