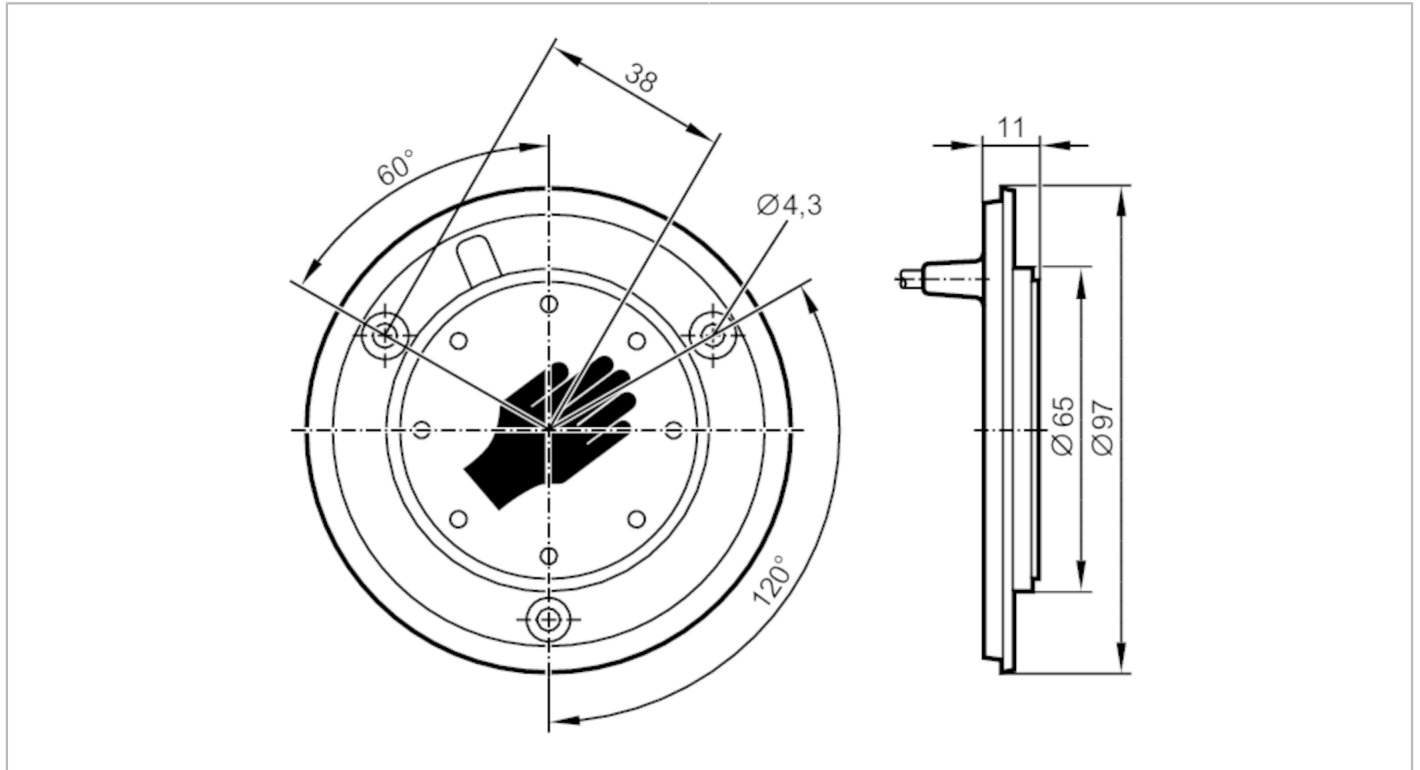


# KT5007



## Capacitive touch sensor

KTRDHOK-RANKG/AM/AS/0,3M



### Product characteristics

Electrical design		NPN
Output function		normally open
Dimensions	[mm]	Ø 96.9 / L = 11

### Application

Operating principle		dynamic
---------------------	--	---------

### Electrical data

Operating voltage	[V]	12...30 DC
Current consumption	[mA]	30
Protection class		III
Reverse polarity protection		yes
Max. power-on delay time	[ms]	500

### Outputs

Electrical design		NPN
Output function		normally open
Permanent current rating of switching output DC	[mA]	200
Short-circuit protection		yes
Overload protection		yes
Length of output signal	[ms]	300

### Response times

Response time	[ms]	35
---------------	------	----

# KT5007



## Capacitive touch sensor

KTRDHOK-RANKG/AM/AS/0,3M

Operating conditions		
Ambient temperature	[°C]	-40...85
Protection		IP 67; IP 69K; (on the front)
Tests / approvals		
MTTF	[years]	418
Mechanical data		
Weight	[g]	115.5
Dimensions	[mm]	Ø 96.9 / L = 11
Materials		active face: PA Grilamid TR 90UV transparent; housing: PC/ABS black
Displays / operating elements		
Display	switching status	8 x LED, red
	operation	8 x LED, green
Accessories		
Accessories (optional)		surround in different colours
Remarks		
Pack quantity		1 pcs.

### Electrical connection - plug

Cable: 0.3 m, PUR

Connector: 1 x M8



### Connection

