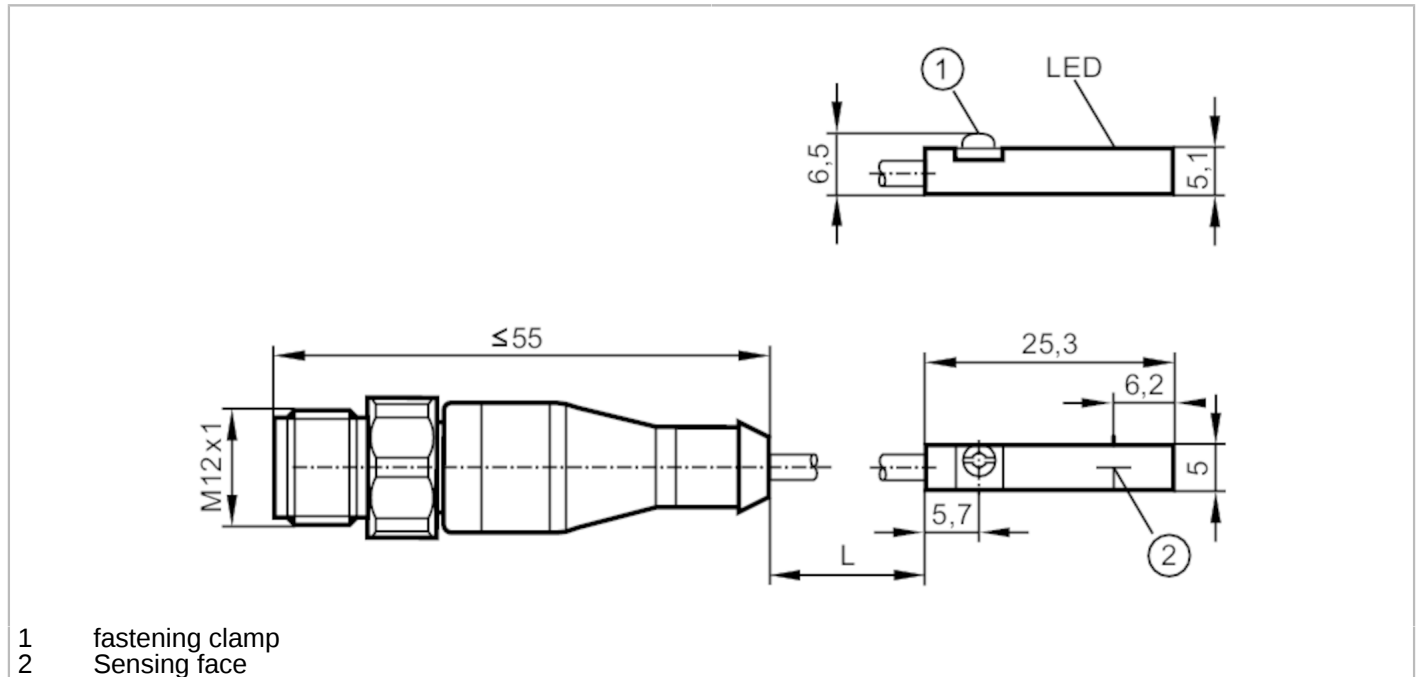


MK501A



T-slot cylinder sensor

MKT3028BBPKG/G/0,3M/ZH/US/3D



Product characteristics

Electrical design	PNP
Output function	normally open
Dimensions [mm]	25 x 5 x 6.5

Electrical data

Operating voltage [V]	10...30 DC
Current consumption [mA]	< 10
Protection class	III
Reverse polarity protection	yes
Max. power-on delay time [ms]	30

Outputs

Electrical design	PNP
Output function	normally open
Max. voltage drop switching output DC [V]	2.5
Permanent current rating of switching output DC [mA]	100
Switching frequency DC [Hz]	10000
Short-circuit protection	yes
Overload protection	yes

Detection zone



Response sensitivity [mT]	2.8
Travel speed [m/s]	> 10

MK501A



T-slot cylinder sensor

MKT3028BBPKG/G/0,3M/ZH/US/3D

Accuracy / deviations		
Hysteresis	[mm]	< 1.5
Repeatability	[mm]	< 0.2
Operating conditions		
Ambient temperature	[°C]	-25...60
Protection		IP 65; IP 67
Tests / approvals		
ATEX marking		 II 3D Ex tc IIIC T125°C Dc X
EMC	EN 61000-4-2 ESD	- CD / 8 kV AD
	EN 61000-4-3 HF radiated	10 V/m
	EN 61000-4-4 Burst	2 kV
	EN 61000-4-6 HF conducted	10 V
	EN 55011	class B
MTTF	[years]	3694
Mechanical data		
Weight	[g]	52.4
Mounting		flush mountable
Type of mounting		fastening clamp with combined slot / hexagon socket, width across flats 1.5
Cylinder type		T-slot cylinders; (adapters allow mounting to different cylinder types)
Dimensions	[mm]	25 x 5 x 6.5
Materials		PA; stainless steel
Material nut		stainless steel
Displays / operating elements		
Display	switching status	1 x LED, yellow
Accessories		
Accessories (supplied)		rubber placeholder: 1
		Cable clip: 1
		Protective cover: 1 x T-Nut, E12259
Remarks		
Pack quantity		1 pcs.
Electrical connection - plug		
Cable: 0.3 m, PUR		
Connector: 1 x M12; Locking: Hexagon nut, rotatable, stainless steel		
		

MK501A



T-slot cylinder sensor

MKT3028BBPKG/G/0,3M/ZH/US/3D

Connection

