

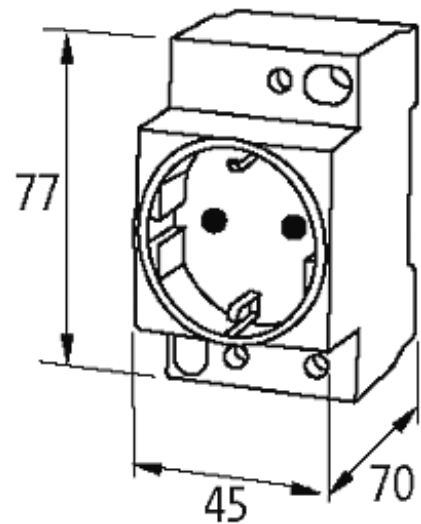
## MSVD POWER SOCKET VDE YELLOW

Mounting rail

Germany (VDE) yellow  
Screw terminals

### [Link to Product](#)

#### Illustration



Product may differ from Image

#### Approvals

VDE

#### Technical Data

Operating voltage	max. 250 V AC
-------------------	---------------

Operating current	max. 16 A
-------------------	-----------

**General data**

Connection	Screw terminals: max. 2 × 6 mm <sup>2</sup>
------------	---

Mounting method	DIN-rail mountable (EN 60715)
-----------------	-------------------------------

Dimensions H × W × D	77×45×70 mm
----------------------	-------------

**Commercial data**

country of origin	BE
-------------------	----

customs tariff number	85369010
-----------------------	----------

minimum order quantity	1
------------------------	---