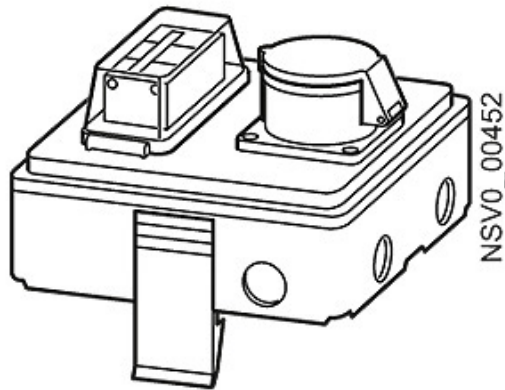


BD2-AK1/CEE163FIA161 TAP-OFF UNIT 16A / 1P  
MCB(C)+ + 2P FI + 3P.CEE



Model		
Product designation		tap-off unit for BD2 busbar trunking system
Protection class		
Protection class IP		IP54
Main circuit		
<b>Operating frequency / Rated value</b>		
• minimum	Hz	50
• maximum	Hz	60
<b>Operating voltage / with AC</b>		
• at 50 Hz / Rated value / maximum	V	230
• at 60 Hz / Rated value / maximum	V	230
<b>Operating current</b>		
• for circuit 1 / with AC / at 50 Hz / Rated value / maximum	A	16
• for circuit 1 / with AC / at 60 Hz / Rated value / maximum	A	16
Tap-off points		
Outgoing unit version		socket
Design of short-circuit and overloading protection / in the outgoing unit		1x1-pole miniature circuit breaker 16A and 2-pole RCCB 25A/30mA
Size of the outgoing feeder		1
Number of poles / of the outgoing feeder		5
Mechanical Design		
Height	mm	180

Width	mm	170
Length	mm	190
Number of width units		4
Product component / Locking mechanism		Yes

### General Product Approval



### Further information

**Information- and Downloadcenter (Catalogs, Brochures,...)**

<http://www.siemens.com/lowvoltage/catalogs>

**Industry Mall (Online ordering system)**

<https://eb.automation.siemens.com/mall/en/WW/Catalog/Product/BVP:660869>

**Service&Support (Manuals, Certificates, Characteristics, FAQs,...)**

<http://support.automation.siemens.com/WW/view/en/BVP:660869/all>

**Image database (product images, 2D dimension drawings, 3D models, device circuit diagrams, ...)**

[http://www.automation.siemens.com/bilddb/cax\\_en.aspx?mlfb=BVP:660869](http://www.automation.siemens.com/bilddb/cax_en.aspx?mlfb=BVP:660869)

**CAX-Online-Generator**

<http://www.siemens.com/cax>

**Tender specifications**

<http://ausschreibungstexte.siemens.com/tiplv>

last modified:

11.03.2015