

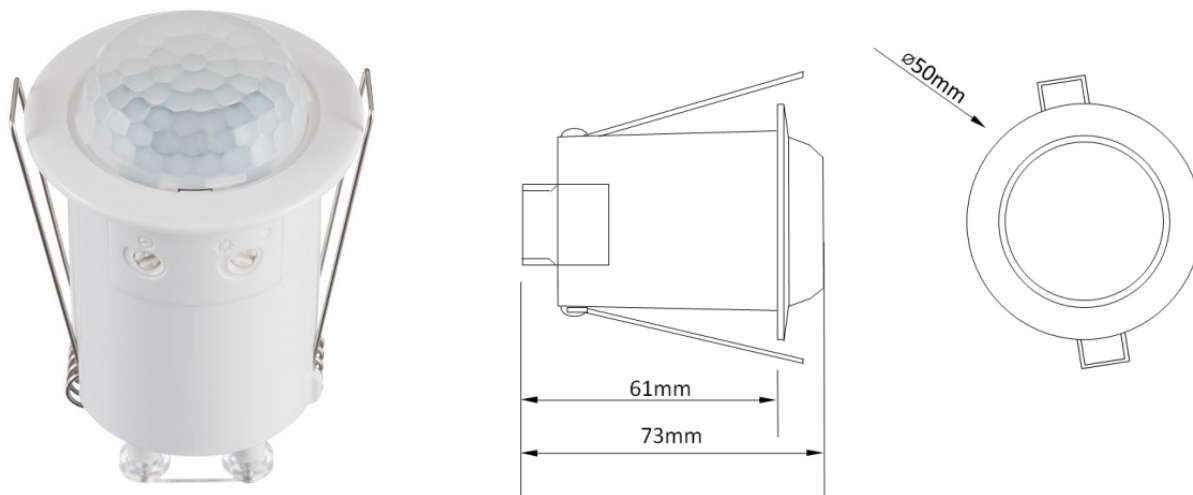
Data sheet



Light / PIR Presence Detectors

STFMMINI – 360° Flush Mount Mini PIR Sensor

Product Image & Line Diagram



Technical Data

General	
Operating Voltage	230V AC
Frequency	50Hz
Installation Type	Flush
Class Protection	Class 2
Number of Channels	1
Weatherproof Rating	IP55 (Rated suitable for restricted external applications)
Operating Temperature	-20°C to + 40°C
Ceiling Cut-out	40mm
Accessories (Included)	Instructions, Fittings, Cable clamps, Lens mask sticker
Switch Rating	1000W Incandescent/Halogen, 200W Fluorescent, 200W Low Energy/CFL, 200W LED
Accessories (Optional)	None
Dimensions	Height 73mm, Width 50mm, Depth 50mm
Weight	51g
EAN	5012483014295
Designed In Accordance To	BS EN 60669-2-1 Includes updates & amendments.
Guarantee Period	2 Years
PIR Sensor	
Warm Up Time	60 Seconds
Detection Angle	180°
Light ON Time	3 seconds to 18 minutes, User adjustable
Slave Terminal	Yes (Maximum of 5 STFMMINI PIR sensors can be wired in parallel. Total load must not exceed the lamp rating of a single STFMMINI unit.)
Detection Range	6-8 meters, Fixed (Achieved at a 2.5m mounting height)
Permanent ON Facility	Yes, Pulse (6 hours max)
Dusk Until Dawn Mode	No
Lux Level	10 - 1000, User adjustable
Construction;	
PIR	Polycarbonate



Article Number: STLW1000 DS130218V1

