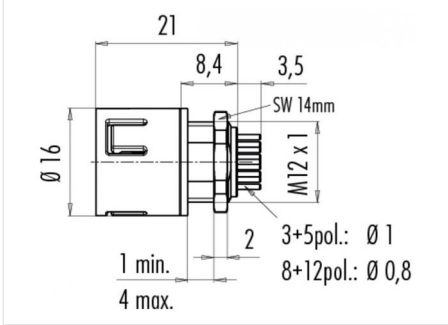


Product description	Contacts: 3, male panel mount connector, lightgrey, dip-solder
Area	Snap-in IP67, miniature Series 720 MED
Order number	99 9107 490 03

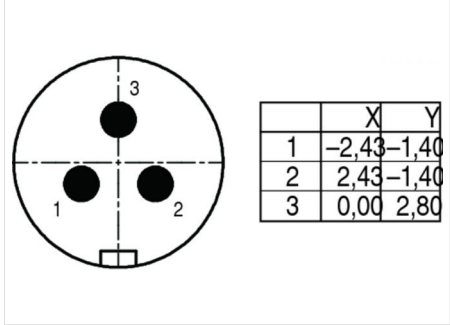
Illustration



Scale drawing



Contact arrangement



You can find the component part drawing and assembly instructions on the next page.

Technical data

General values

Connector design	male panel mount connector
Connector locking system	snap
Termination	dip-solder
Wire gauge (mm)	0,75 mm ²
Wire gauge (AWG)	20
Upper limit temperature	85 °C
Lower limit temperature	-40 °C

Electrical values

Rated current (40 °C)	7 A
Rated voltage	250 V
Rated impulse voltage	2500 V
Pollution degree	2
Overvoltage category	II
Insulating material group	II
Volume resistivity	≤ 3 mΩ
Insulation resistance	≥ 10 ¹⁰ Ω
EMC compliance	not shielded
Degree of protection	IP67
Mechanical operation	> 500 Mating cycles

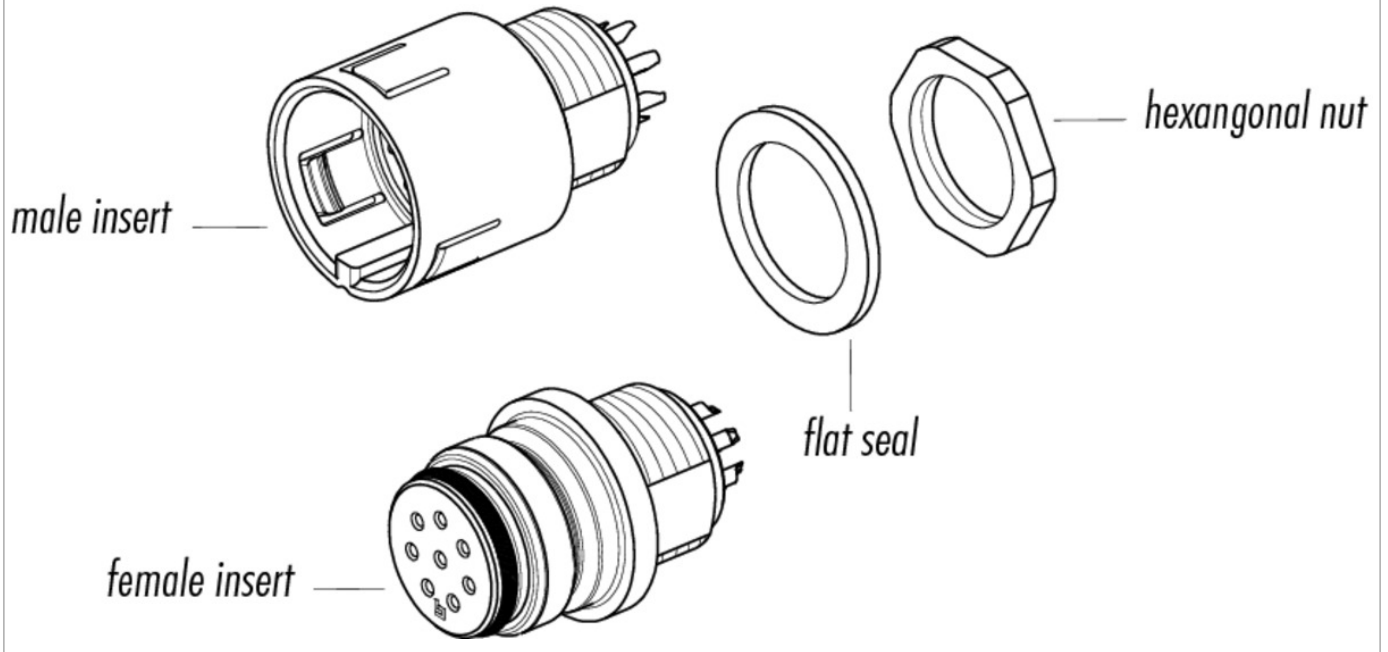
Material

Contact material	CuSn (bronze)
Contact plating	Au (gold)
Contact body material	PA (UL 94 V-0)
Housing material	PA

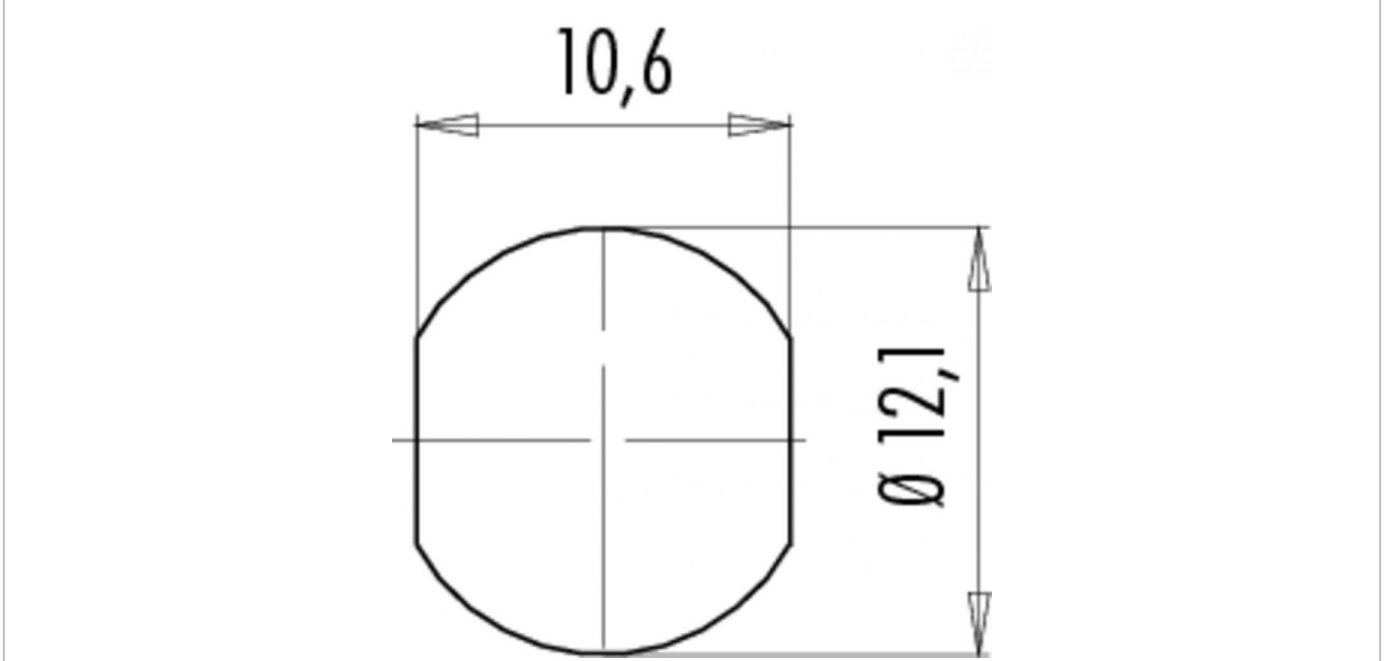
Product description **Contacts: 3, male panel mount connector, lightgrey, dip-solder**

Area **Snap-in IP67, miniature Series 720 MED**
Order number **99 9107 490 03**

Component part drawing



Assembly instructions / Panel cut-out



Product description **Contacts: 3, male panel mount connector, lightgrey, dip-solder**

Area **Snap-in IP67, miniature Series 720 MED**
Order number **99 9107 490 03**

Security notices

The connector must not be connected or separated under load. Non-observance and incorrect use can result in personal injury.

The connectors are designed for use in plant, control system and electrical equipment. The end user is responsible for checking whether the connectors are suitable for use in other applications.

Connectors with degree of protection IP 67 and IP 68 are not suitable for use under water. When used outdoors, the connectors must be separately protected against corrosion. For further information about IP degrees of protection refer to 'Technical support' in the Download Centre.