

Series 18 Actuators

SEE PAGE 67 FOR SWITCHES



KEY FEATURES:

- Spring Lever
- Roller Lever

MECHANICAL CHARACTERISTICS:

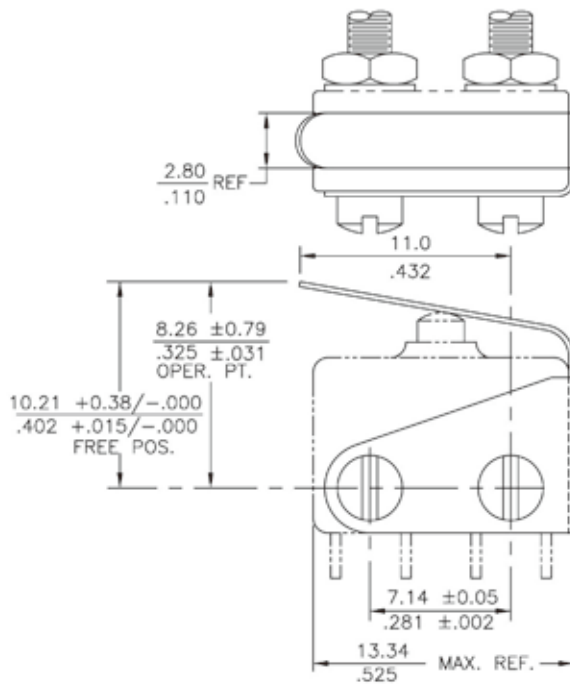
Part Number	Oper. Force	Release Force	Pretravel	Overtravel	Movement Diff.	Operating Point
78-3000 Spring Lever	6 ± 2 oz	2 oz min	.125 max	.030 min	.030 ± .015	.325 ± .030
78-3100 Roller Lever	6 ± 2 oz	2 oz min	.125 max	.030 min	.035 ± .015	.560 ± .030

STANDARDS / AGENCY / RATINGS:

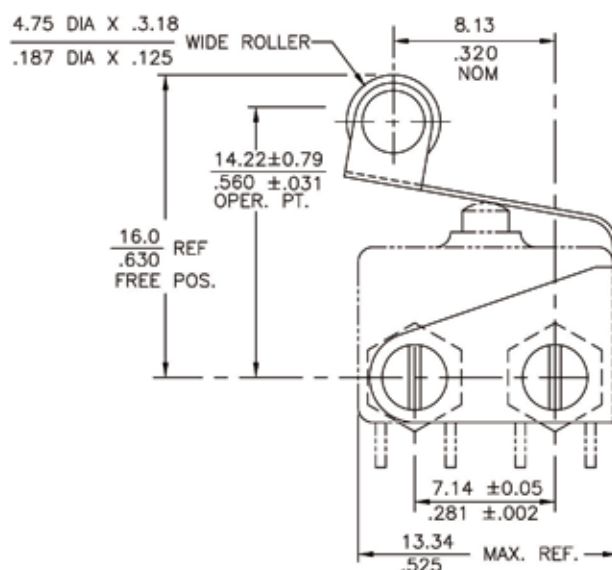


PRODUCT DRAWINGS

78-3000



78-3100



ELECTRICAL CHARACTERISTICS:

Circuit:
SPDT-DB (Form Z)

MIL-PRF-8805/77 QPL listed:
18-488051 MS27257-1

Electrical Rating @ 28VDC:

Circuitry	Current
2 Circuit (SPDT-DB)	5 amp Res 3 amp Ind*
1 Circuit (SPST)	8 amp Res 7 amp Ind*

*L/R = .026