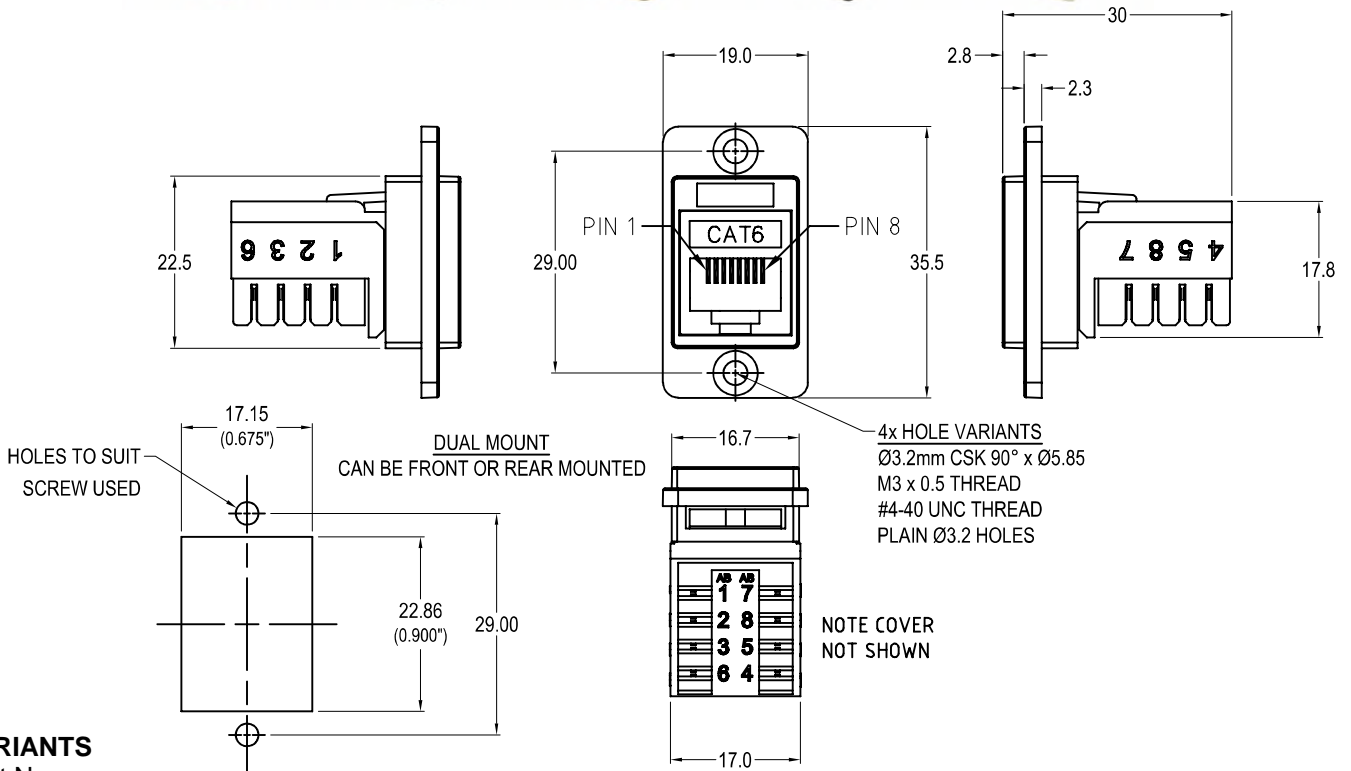


# CLIFF

## CAT6 IDC FEEDTHROUGH CONNECTOR



### VARIANTS

Part No.

<b>CP30727M</b>	DUALSLIM Cat6 IDC Nickel frame, CSK holes
<b>CP30727MB</b>	DUALSLIM Cat6 IDC Black metal frame, CSK holes
<b>CP30727M3</b>	DUALSLIM Cat6 IDC Nickel frame, M3 holes
<b>CP30727MB3</b>	DUALSLIM Cat6 IDC Black metal frame, M3 holes
<b>CP30727M440</b>	DUALSLIM Cat6 IDC Nickel frame, #4-40 holes
<b>CP30727MB440</b>	DUALSLIM Cat6 IDC Black metal frame, #4-40 holes
<b>CP30727MX1</b>	DUALSLIM Cat6 IDC Nickel frame, Ø3.2 PLAIN holes
<b>CP30727MBX1</b>	DUALSLIM Cat6 IDC Black metal frame, Ø3.2 PLAIN holes

### Feedthrough Features

- Fits standard rectangular cutout.
- Front or rear mounting through the panel.
- Various hole mounting options.
- Low rear profile.

### General:

Please note: Functionality is affected by cable quality, length and cable wiring configuration.

### Material:

1. RJ45 / IDC / Cover : PC
2. RJ45: Phosphor Bronze, gold plated
3. IDC: Phosphor Bronze, nickel plated
4. PCB: FR4
5. Frame: Diecast, Nickel or Black plated

### Performance:

1. T568A + T568B wiring.