

282104-1 ✓ ACTIVE

AMP | AMP Superseal 1.5mm Series

TE Internal #: 282104-1

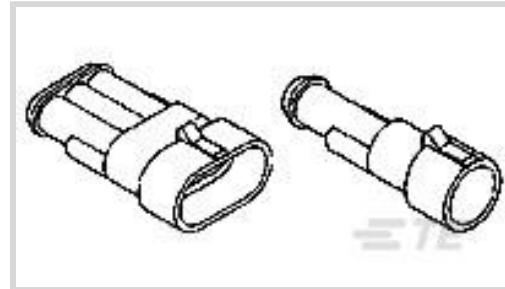
AMP Superseal 1.5mm Series, Housing for Male Terminals, Wire-to-Board / Wire-to-Device / Wire-to-Wire, 2 Position, .236in [6mm]

Centerline, Black

[View on TE.com >](#)



Connectors > Automotive Connectors > Connector Housings > AMP SUPERSEAL 1.5MM, CONNECTOR HOUSING



Connector & Housing Type: **Housing for Male Terminals**

Mating Tab Width: **1.5 mm [ .059 in ]**

Connector System: **Wire-to-Board, Wire-to-Device, Wire-to-Wire**

Number of Positions: **2**

Centerline (Pitch): **6 mm [ .236 in ]**

[All AMP SUPERSEAL 1.5MM, CONNECTOR HOUSING \(26\)](#)

## Features

### Product Type Features

Connector & Housing Type	Housing for Male Terminals
Connector System	Wire-to-Board, Wire-to-Device, Wire-to-Wire
Sealable	No
Hybrid Connector	No
Primary Locking Feature	Integrated in Housing

### Configuration Features

Number of Positions	2
Number of Rows	1

### Electrical Characteristics

Operating Voltage	24 VDC
Nominal Voltage Architecture	12 V, 24 V

### Body Features

Cable Exit Angle	180°
Body Material	PA GF
Primary Product Color	Black

### Contact Features



Mating Tab Width	1.5 mm[.059 in]
------------------	-----------------

### Mechanical Attachment

Mounting Feature	Without
------------------	---------

Terminal Position Assurance	Yes
-----------------------------	-----

Strain Relief	No
---------------	----

Mating Alignment Type	Polarized
-----------------------	-----------

### Housing Features

Centerline (Pitch)	6 mm[.236 in]
--------------------	---------------

### Dimensions

Product Width	13.8 mm[.543 in]
---------------	------------------

Product Length	19.8 mm[.78 in]
----------------	-----------------

Product Height	42 mm[1.654 in]
----------------	-----------------

### Usage Conditions

Operating Temperature (Max)	70 °C, 75 °C, 80 °C, 85 °C, 90 °C, 100 °C, 105 °C, 110 °C, 120 °C, 125 °C[158 °F][167 °F][176 °F][185 °F][194 °F][212 °F][221 °F][230 °F][248 °F][257 °F]
-----------------------------	---

Operating Temperature Range	-40 – 125 °C[-40 – 257 °F]
-----------------------------	----------------------------

### Operation/Application

Circuit Application	Signal
---------------------	--------

### Industry Standards

Degree of Protection	IP67
----------------------	------

### Packaging Features

Packaging Quantity	1500
--------------------	------

Packaging Method	Box
------------------	-----

### Other

Serviceable	Yes
-------------	-----

Connector Position Assurance Capable	No
--------------------------------------	----

### Product Compliance

For compliance documentation, visit the product page on [TE.com](https://www.te.com)>

EU RoHS Directive 2011/65/EU	Compliant
------------------------------	-----------

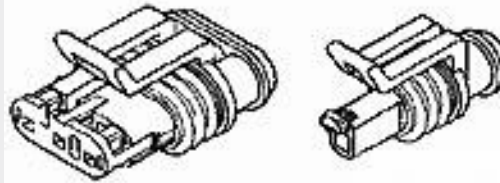


EU ELV Directive 2000/53/EC	Compliant
China RoHS 2 Directive MIIT Order No 32, 2016	No Restricted Materials Above Threshold
EU REACH Regulation (EC) No. 1907/2006	Current ECHA Candidate List: JUL 2021 (219) Candidate List Declared Against: JUL 2021 (219) Does not contain REACH SVHC
Halogen Content	Low Halogen - Br, Cl, F, I < 900 ppm per homogenous material. Also BFR/CFR/PVC Free
Solder Process Capability	Not applicable for solder process capability

Product Compliance Disclaimer

This information is provided based on reasonable inquiry of our suppliers and represents our current actual knowledge based on the information they provided. This information is subject to change. The part numbers that TE has identified as EU RoHS compliant have a maximum concentration of 0.1% by weight in homogenous materials for lead, hexavalent chromium, mercury, PBB, PBDE, DBP, BBP, DEHP, DIBP, and 0.01% for cadmium, or qualify for an exemption to these limits as defined in the Annexes of Directive 2011/65/EU (RoHS2). Finished electrical and electronic equipment products will be CE marked as required by Directive 2011/65/EU. Components may not be CE marked. Additionally, the part numbers that TE has identified as EU ELV compliant have a maximum concentration of 0.1% by weight in homogenous materials for lead, hexavalent chromium, and mercury, and 0.01% for cadmium, or qualify for an exemption to these limits as defined in the Annexes of Directive 2000/53/EC (ELV). Regarding the REACH Regulation, the information TE provides on SVHC in articles for this part number is based on the latest European Chemicals Agency (ECHA) 'Guidance on requirements for substances in articles' posted at this URL: <https://echa.europa.eu/guidance-documents/guidance-on-reach>

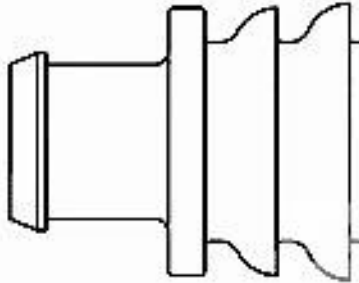
## Compatible Parts



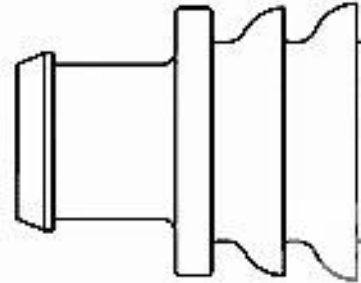
TE Part # 282080-1  
AMP SUPERSEAL 1.5 SERIES 2P PL



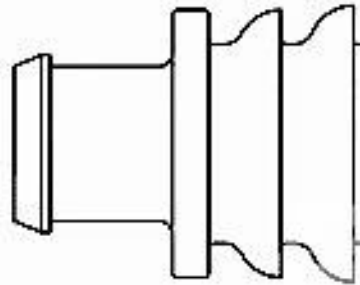
TE Part # CAT-AM71-T273  
AMP SUPERSEAL 1.5MM, RECEPTACLE AND TAB



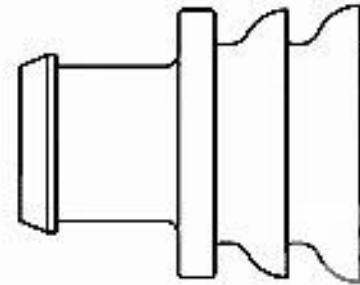
TE Part # 281934-3  
SINGLE WIRE SEAL



TE Part # 282081-1  
RUBBER PLUG



TE Part # 281934-2  
SINGLE WIRE SEAL



TE Part # 281934-4  
SINGLE WIRE SEAL



TE Part # 785061-1  
INSERT TOOL SEC/LOC TAB 1 & 2 P

## Also in the Series | AMP Superseal 1.5mm Series



Automotive Connector Caps & Covers (2)



Automotive Housings(26)



Automotive Seals & Cavity Plugs(4)



Automotive Terminals(15)



Insertion & Extraction Tools(4)



Other Automotive Connector Accessories(2)

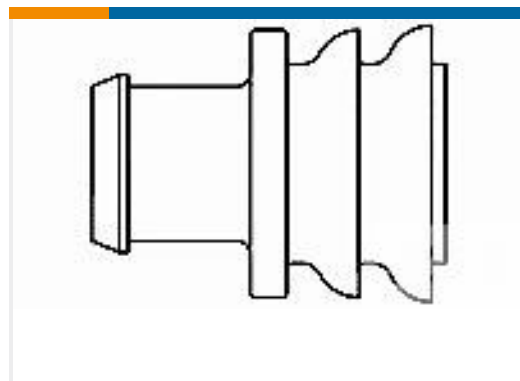
## Customers Also Bought



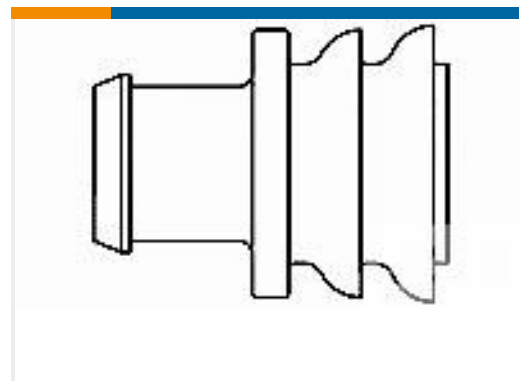
TE Part #282105-1  
AMP SUPERSEAL 1.5MM,  
CONNECTOR HOUSING



TE Part #183024-1  
AMP SUPERSEAL 1.5MM,  
RECEPTACLE AND TAB



TE Part #281934-2  
SINGLE WIRE SEAL



TE Part #281934-4  
SINGLE WIRE SEAL

## Documents

### Product Drawings

[AMP SUPERSEAL 1.5 SERIES 2P CA](#)

English

### CAD Files

Customer View Model

[ENG\\_CVM\\_CVM\\_282104-1\\_B.2d\\_dxf.zip](#)

English

### 3D PDF

3D

Customer View Model

[ENG\\_CVM\\_CVM\\_282104-1\\_B.3d\\_igs.zip](#)

English

Customer View Model

[ENG\\_CVM\\_CVM\\_282104-1\\_B.3d\\_stp.zip](#)

English

By downloading the CAD file I accept and agree to the [Terms and Conditions](#) of use.



---

### Datasheets & Catalog Pages

[AMP SUPERSEAL 1.5mm Connector System](#)

English

[ICT Terminals and Connectors Catalogue](#)

English

---

### Product Specifications

[Product Specification](#)

English

---

### Product Environmental Compliance

[MD\\_282104-1\\_05302018039\\_dmtec](#)

English

[MD\\_282104-1\\_05302018039\\_dmtec](#)

English

---

### Instruction Sheets

[AMP SUPERSEAL 1.5 SERIES](#)

English

[Customer Manual \(non U.S.\)](#)

English