

TL3305 SERIES TACT SWITCH

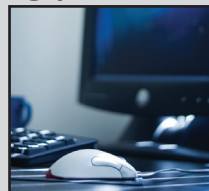
ANTI-VANDAL SWITCHES
 DETECTOR SWITCHES
 DIP SWITCHES
 KEYLOCK SWITCHES
 NAVIGATION SWITCHES
 PUSHBUTTON SWITCHES
 ROCKER SWITCHES
 ROTARY SWITCHES
 SLIDE SWITCHES
 SNAP ACTION SWITCHES
TACTILE SWITCHES
 TOGGLE SWITCHES
 CAP OPTIONS



APPLICATIONS / MARKETS



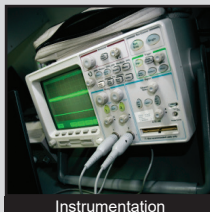
Wearable Technology



Computer Peripherals



Consumer Electronics



Instrumentation



Telecommunication



Medical Equipment

RoHS

SPECIFICATIONS

Electrical Rating: 50mA @ 12VDC
Electrical Life:
 100 gf = 500,000 Cycles; 160 gf = 500,000 Cycles
 260 gf = 200,000 Cycles; 350 gf = 50,000 Cycles
Contact Resistance: 100mΩ Max
Insulation Resistance: 100MΩ Min. at 100VDC
Dielectric Strength: 250VAC for 1 min.
Operating Temperature: -40°C to 105°C
Storage Temperature: -40°C to 105°C
Operating Force: 100gf, 160 gf, 260 gf, 350 gf
Travel: 0.20mm
Contact Arrangement: SPST, normally open

FEATURES & BENEFITS

- Ultra-miniature 4.5 x 4.5mm
- Multiple actuator options
- Surface mount
- Multiple operating force options

PART NUMBER CONFIGURATOR

Series	Model	Actuator Option	Actuation Force	Contact Material	Termination
<input type="text" value="TL"/>	<input type="text" value="3305"/>	<input type="text" value="A"/>	<input type="text" value="F100"/>	<input type="text" value="Q"/>	<input type="text" value="G"/>
		A - 3.8mm B - 5.0mm C - 7.0mm	F100 - 100 gf F160 - 160 gf F260 - 260 gf F350 - 350 gf	Q - Silver	G - Gullwing

Specifications subject to change without notice 7.26.2024



E-SWITCH®

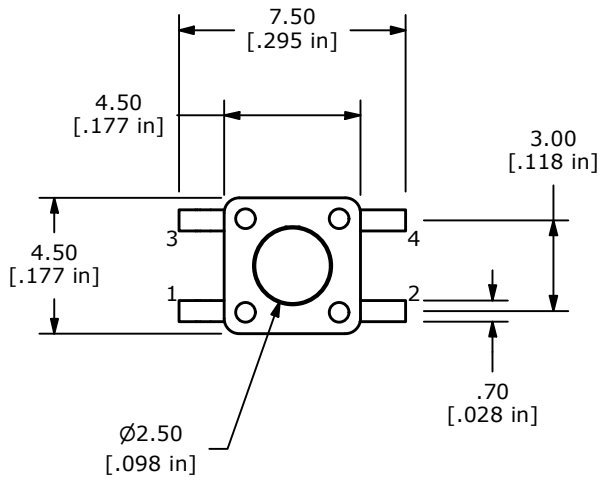
www.e-switch.com

800.867.2717

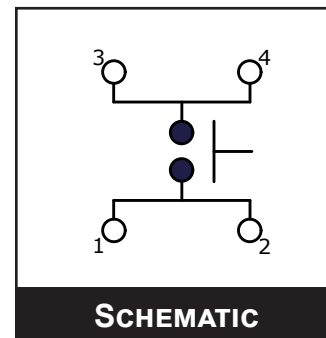
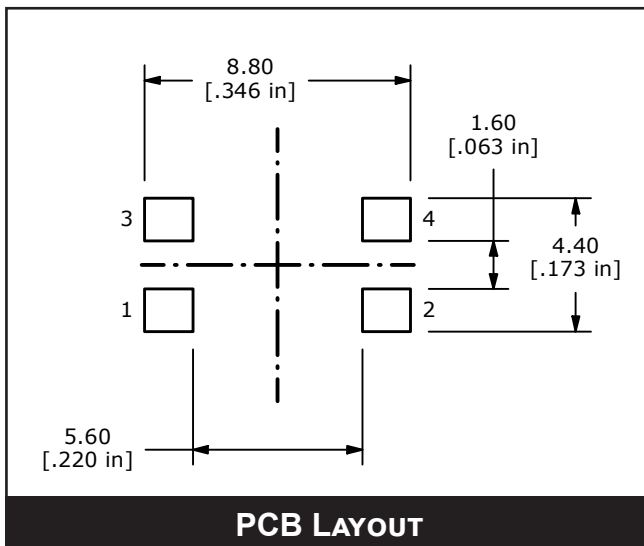
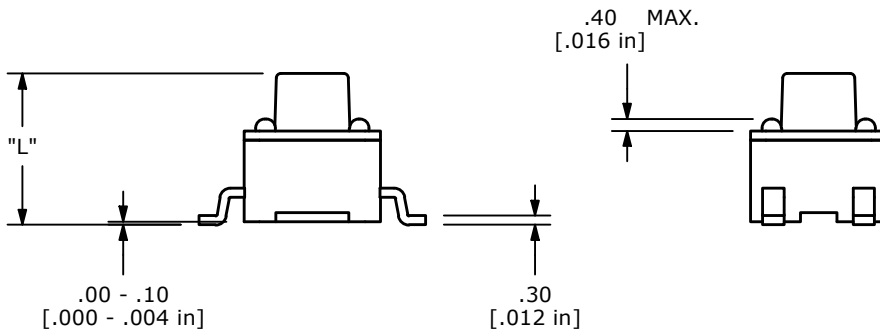
1

TL3305 SERIES TACT SWITCH

BODY DIMENSIONS



ACTUATOR OPTION	"L" DIMENSION
A	3.80
B	5.00
C	7.00



- ANTI-VANDAL SWITCHES
- DETECTOR SWITCHES
- DIP SWITCHES
- KEYLOCK SWITCHES
- NAVIGATION SWITCHES
- PUSHBUTTON SWITCHES
- ROCKER SWITCHES
- ROTARY SWITCHES
- SLIDE SWITCHES
- SNAP ACTION SWITCHES
- TACTILE SWITCHES
- TOGGLE SWITCHES
- CAP OPTIONS

