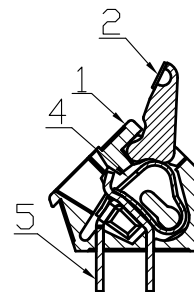
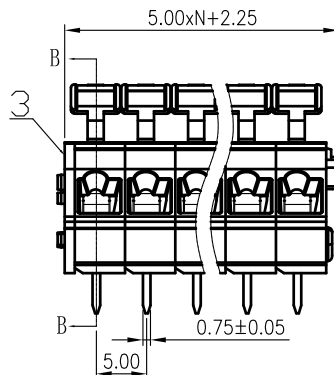
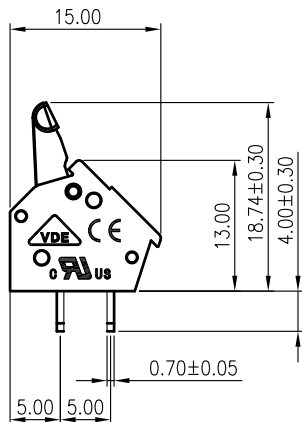
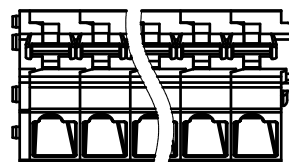
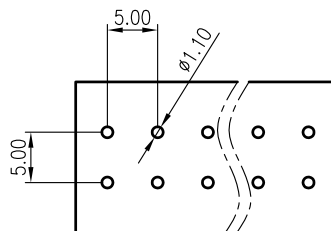
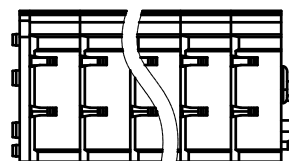
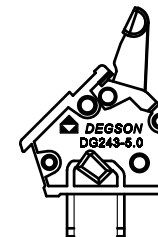


REVISION RECORD

REV	ECN	DESCRIPTION	DRFT	DATE
-----	-----	-------------	------	------



SECTION B-B



TOP VIEW-LAYOUT

NOTES:

- 1.DIMENSION SHALL BE INTERPRETED PER ASME Y14.5-2009.
- 2.PITCH: 5.0MM ,POLES:XXP
- 3.RATED VOLTAGE/CURRENT: UL 300V/15A VDE 450V/17A
- 4.OPERATION TEMPERATURES: -40 °C~+105 °C
- 5.WITHSTANDING VOLTAGE: AC2500V/1MIN
- 6.INSULATION RESISTANCE: 5000M Ω/DC1000V
- 7.WIRE RANGE: 28~12AWG,0.2~2.5MM<sup>2</sup>
- 8.UNDIMENSIONED TOLERANCES:

Pitch range in mm		Nominal dimension range in mm							
	over 6	over 10	over 30	over 60	over 100	over 150	∩		
to 6	to 10	to 24	to 30	to 60	to 100	to 150	□		
	±0.10	±0.15	±0.25	±0.2	±0.3	±0.5	±0.7	±1.0	0.05/10

2	DG243-5.0-Button	3027D1701A(H)	XX	POM	UL94HB
1	DG243-5.0-Housing	3027A0Y01A(H)	XX	PA66	UL94V-0
ITEM	NAME OF PART	NO. OF PART	Q"TY	MATERIAL	NOTES

DETACHED LISTS	← MM (INCH) →		MATERIAL:		<b>DEGSON®</b>						
	TOLERANCES EXCEPT AS NOTED		FINISH:								
	.X ±	.X' ±	PART NO.:		NAME: DG243-5.0-XXP-1Y-00A(H)						
	.XX ±	.XX' ±	APPD:		TITLE: ASSEMBLY DRAWING		REV	T7			
.XXX ±	.XXX' ±	THIRD ANGLE PROJECTION		CHKD:		DRAWING NO.: DG243-5.0-E01					
				DRFT: Haoyh. 06/27/05"		DO NOT SCALE DRAWING		SCALE	N/A	SHEET	1/1

5	DG245 Pin header	3025B00010(H)	XX	Phosphor bronze	Sn plated
4	DG242 Spring	X000000990(H)	XX	Stainless steel	
3	DG243-5.0-COVER	3027COY01A(H)	1	PA66	UL94V-0