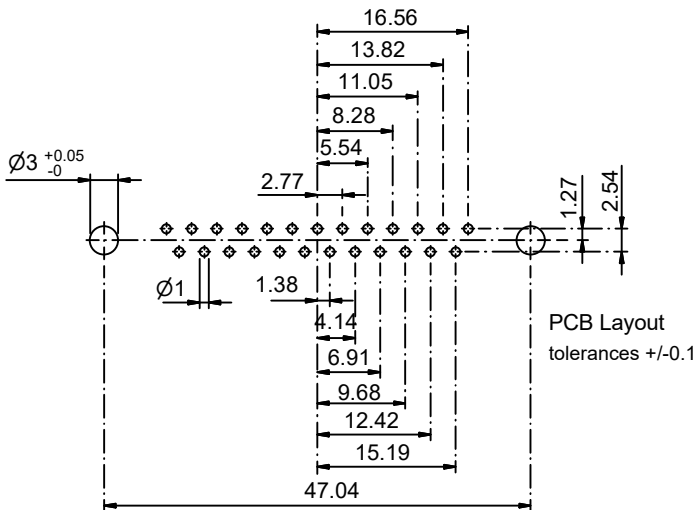
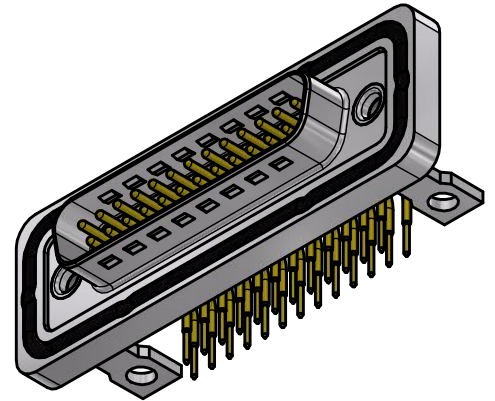
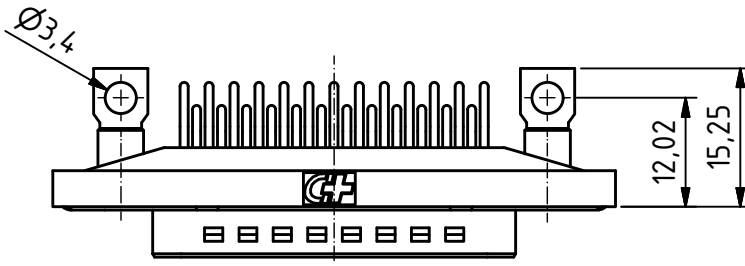
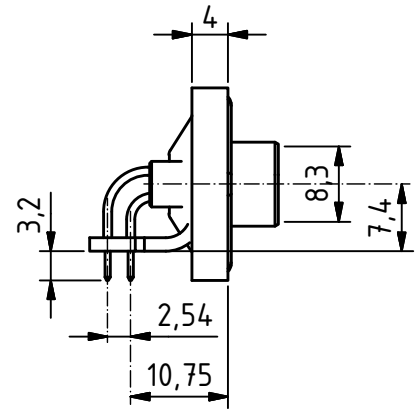
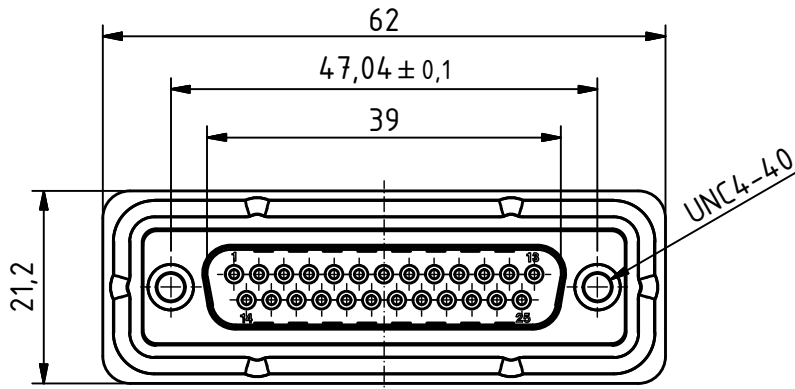


RoHS compliant



Waterproof IP68
Frame with O-ring sealing for back panel mounting

Mass: 0.0311 kg

MATERIALS

- Insulator: Thermoplastic UL 94-V-0 white
- Frame: Zinc diecasting nickel plated
- Contact: Machined / Copper alloy
- Contact finish: Quality class 2
- Shell: steel tin plated

CHARAKTERISTICS

- Working voltage: 125V
- Current rating: 7.5A
- Contact resistance: max. 10mΩ - DIN41652
- Insulation resistance: >5GΩ
- Temperature range: -55° to +125°C

General tolerances (Deltron standard)		
size in mm		
> 0.5	> 3	> 30
up to 3	up to 6	up to 120
tolerances		
±0.1	±0.2	±0.3

modification	Rev.	Rev.	Rev.	DE016968		
	Rev.	Rev.	Rev.	part no.		
DTSWM25PYC/2M46UN	1.5:1 scale	drawn	11.09.2015	mr		
		checked				
		approved				
		Industrie Neuhof 8c CH-3422 Kirchberg www.d-sub.swiss		K062087 drawing no.		