

PCB Battery Clip

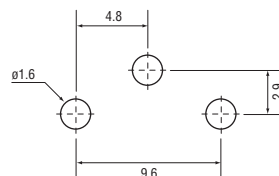
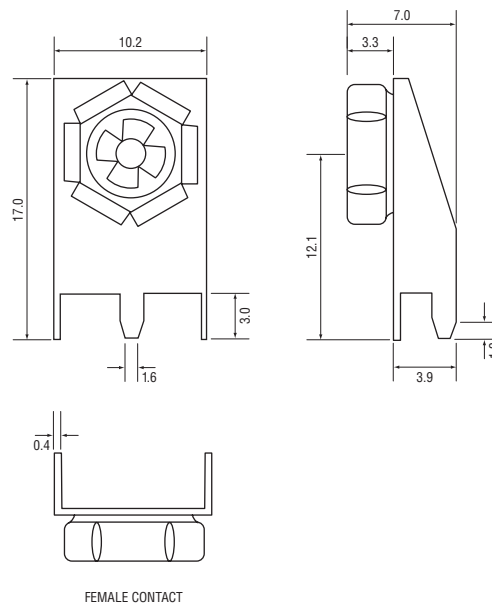
9V +ve

Order code: **18-3490**



Specifications:

1. Positive battery clip
2. PP3 size battery
3. PCB tags
4. 17mm long, 10.2mm wide, 7mm high
5. Height above PCB 14mm
6. Suitable for 9V batteries, e.g., PP3
7. Material: Brass, Nickel plated
(Thickness: 0.4mm)



Tolerance: $\pm 0.4\text{mm}$