

1059617-1 ✓ ACTIVE

TE Internal #: 1059617-1

RF Connectors, OSP RF Interface, Plug, RF Connector Mated Outer

Diameter (Approximate) .3 in [7.62 mm], 50 Ω , Push-On, 22GHz

Operating Frequency

[View on TE.com >](#)



Connectors > RF Coax Connectors > RF Connectors



RF Interface: **OSP**

RF Connector Style: **Plug**

RF Connector Mated Outer Diameter (Approximate): **7.62 mm [.3 in]**

Impedance: **50 Ω**

RF Connector Coupling Mechanism: **Push-On**

Features

Product Type Features

RF Interface	OSP
RF Connector Style	Plug
Connector System	Cable-to-Panel
Sealable	Yes
Connector & Contact Terminates To	Printed Circuit Board
Connector Seal Type	O-Ring

Configuration Features

Number of Positions	1
PCB Mount Orientation	Vertical
Number of Coaxial Contacts	1

Electrical Characteristics

Impedance	50 Ω
-----------	-------------

Body Features

Body Material	Stainless Steel
Body Material Finish	Passivated

Contact Features

RF Connector Center Contact Underplating Material	Copper, Nickel
RF Connector Center Contact Plating Material	Gold



RF Connector Center Contact Material	Beryllium Copper
--------------------------------------	------------------

Mechanical Attachment

Panel Attachment Style	Front Mount
------------------------	-------------

Panel Mount Feature Type	Threads
--------------------------	---------

RF Connector Coupling Mechanism	Push-On
---------------------------------	---------

Connector Mounting Type	Panel Mount
-------------------------	-------------

RF Contact Captivation Method	Epoxy
-------------------------------	-------

Detent	Without
--------	---------

Dimensions

Panel Thickness (Recommended)	6.35 mm [.25 in]
-------------------------------	------------------

RF Connector Mated Outer Diameter (Approximate)	7.62 mm [.3 in]
---	-----------------

Usage Conditions

Operating Temperature Range	-65 – 125 °C [-85 – 257 °F]
-----------------------------	-----------------------------

Operation/Application

Operating Frequency	22 GHz
---------------------	--------

Packaging Features

Packaging Method	Carton
------------------	--------

Other

Dielectric Material	TFE Fluorocarbon
---------------------	------------------

Product Compliance

[For compliance documentation, visit the product page on TE.com>](#)

EU RoHS Directive 2011/65/EU	Compliant with Exemptions
------------------------------	---------------------------

EU ELV Directive 2000/53/EC	Compliant with Exemptions
-----------------------------	---------------------------

China RoHS 2 Directive MIIT Order No 32, 2016	Restricted Materials Above Threshold
---	--------------------------------------

EU REACH Regulation (EC) No. 1907/2006	<p>Current ECHA Candidate List: JAN 2021 (211) Candidate List Declared Against: JUN 2020 (209) SVHC > Threshold: Pb (3.7% in Component Part)</p> <p>Article Safe Usage Statements: Do not eat, drink or smoke when using this product. Wash thoroughly after handling. Recycle if possible and dispose of the article by following all applicable governmental regulations relevant to your geographic location.</p>
--	--

Halogen Content	Low Bromine/Chlorine - Br and Cl < 900 ppm per homogenous material. Also BFR
-----------------	--

/CFR/PVC Free

Solder Process Capability

Pin-in-Paste capable to 260°C

Product Compliance Disclaimer

This information is provided based on reasonable inquiry of our suppliers and represents our current actual knowledge based on the information they provided. This information is subject to change. The part numbers that TE has identified as EU RoHS compliant have a maximum concentration of 0.1% by weight in homogenous materials for lead, hexavalent chromium, mercury, PBB, PBDE, DBP, BBP, DEHP, DIBP, and 0.01% for cadmium, or qualify for an exemption to these limits as defined in the Annexes of Directive 2011/65/EU (RoHS2). Finished electrical and electronic equipment products will be CE marked as required by Directive 2011/65/EU. Components may not be CE marked. Additionally, the part numbers that TE has identified as EU ELV compliant have a maximum concentration of 0.1% by weight in homogenous materials for lead, hexavalent chromium, and mercury, and 0.01% for cadmium, or qualify for an exemption to these limits as defined in the Annexes of Directive 2000/53/EC (ELV). Regarding the REACH Regulation, the information TE provides on SVHC in articles for this part number is based on the latest European Chemicals Agency (ECHA) 'Guidance on requirements for substances in articles' posted at this URL: <https://echa.europa.eu/guidance-documents/guidance-on-reach>

Compatible Parts



TE Part # 1059541-1
4536 7388 02



TE Part # 1059551-1
4540 7388 02



TE Part # 1059540-1
4536 7341 02



TE Part # 1059412-1
4504 7985 00



TE Part # 1059440-1
4506 5056 02



TE Part # 1059452-1
4506 7685 02



TE Part # 1059410-1
4504 7941 00



TE Part # 1059456-1
4506 7985 02



TE Part # 1059467-1
4510 7985 00,OSP CABLE JACK



TE Part # 1059506-1
4522 7985 02



TE Part # 1046486-1
SCD,4506 5055 02,BMA



TE Part # 1057230-1
SCD,4522 5018 02,BMA



TE Part # 1059408-1
4504 7641 02



TE Part # 1059442-1
4506 5061 02



TE Part # 1059451-1
4506 7641 02



TE Part # 1059465-1
4510 7941 00,OSP CABLE JACK



TE Part # 1059499-1
4522 5027 02



TE Part # 1059503-1
4522 5031 02

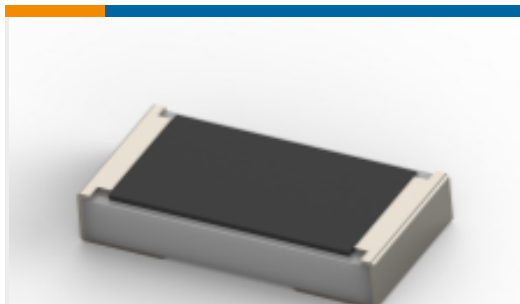


TE Part # 1059505-1
4522 7941 02



TE Part # 1059532-1
4536 5020 02

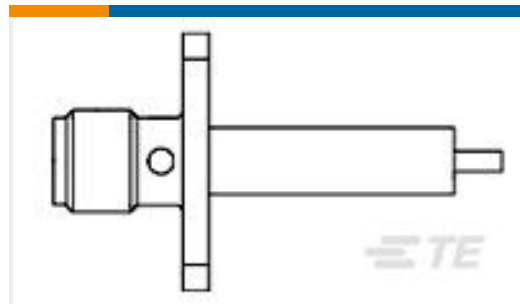
Customers Also Bought



TE Part #1-2176232-7
SMD Power Resistor: 3 Watt, 1% Tol



TE Part #1903978-1
POWER MODULE 4POS. REC. ASSY,



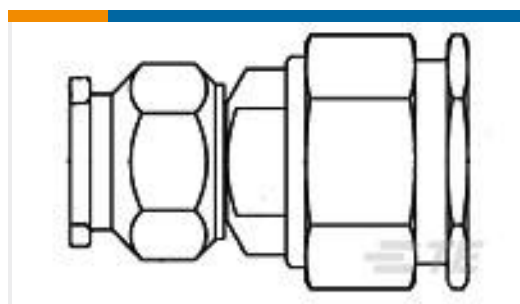
TE Part #1052551-1
2052 1352 00,SMA FM JACK RECPT



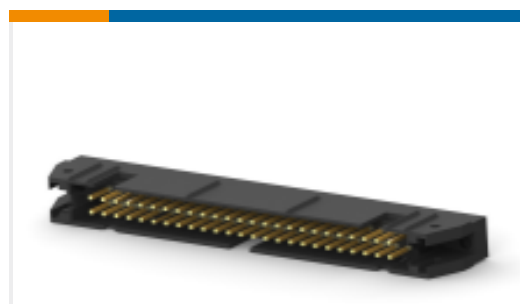
TE Part #1393118-3
KUP-14A55-240=KU



TE Part #103968-7
2X8 MTE RCPT SR RIBBED .100CL



TE Part #1058662-1
3681 2311 02



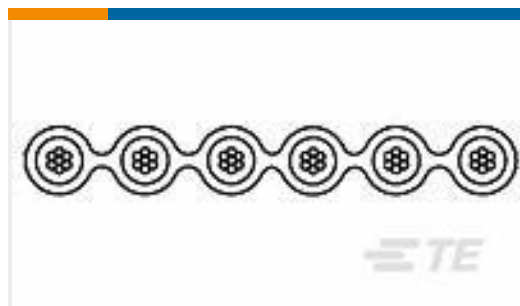
TE Part #1-499786-2
AMP-LATCH UNIVERSAL HEADERS



TE Part #YDTS24W17-06PAC001
Jam Nut: D38999, 17-06 Insert



TE Part #1625980-6
HSX25 R22 5%



TE Part #1-971111-3
10W FRC MADISON SPEC 100-4703
REV. 7

Documents



Product Drawings

[4557 5009 02](#)

English

CAD Files

[3D PDF](#)

3D

Customer View Model

[ENG_CVM_CVM_1059617-1_D.2d_dxf.zip](#)

English

Customer View Model

[ENG_CVM_CVM_1059617-1_D.3d_igs.zip](#)

English

Customer View Model

[ENG_CVM_CVM_1059617-1_D.3d_stp.zip](#)

English

By downloading the CAD file I accept and agree to the [Terms and Conditions](#) of use.

Datasheets & Catalog Pages

[Blind Mate Connectors](#)

English

Instruction Sheets

[Instruction Sheet \(U.S.\)](#)

English

[OSP Panel Feedthrough Plug Receptacle Threaded Installation 1059617-1](#)

English