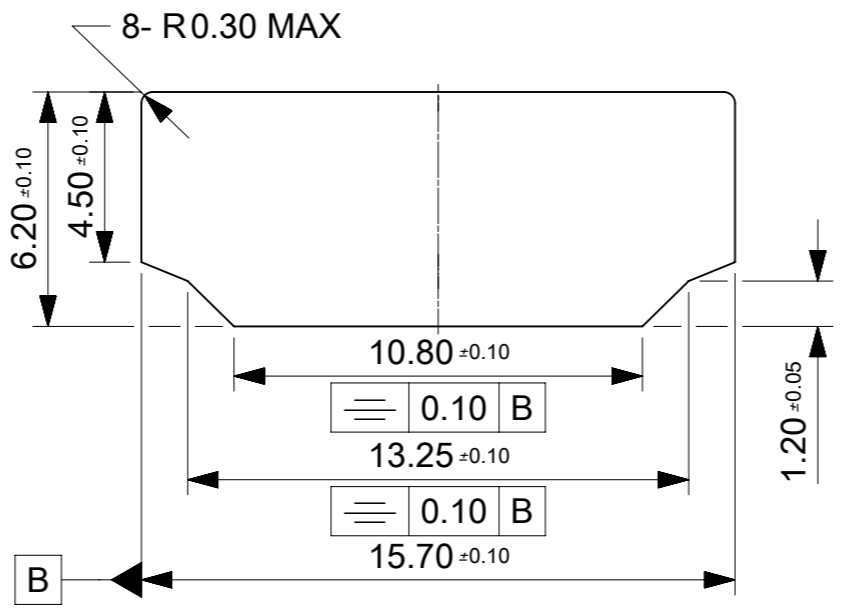
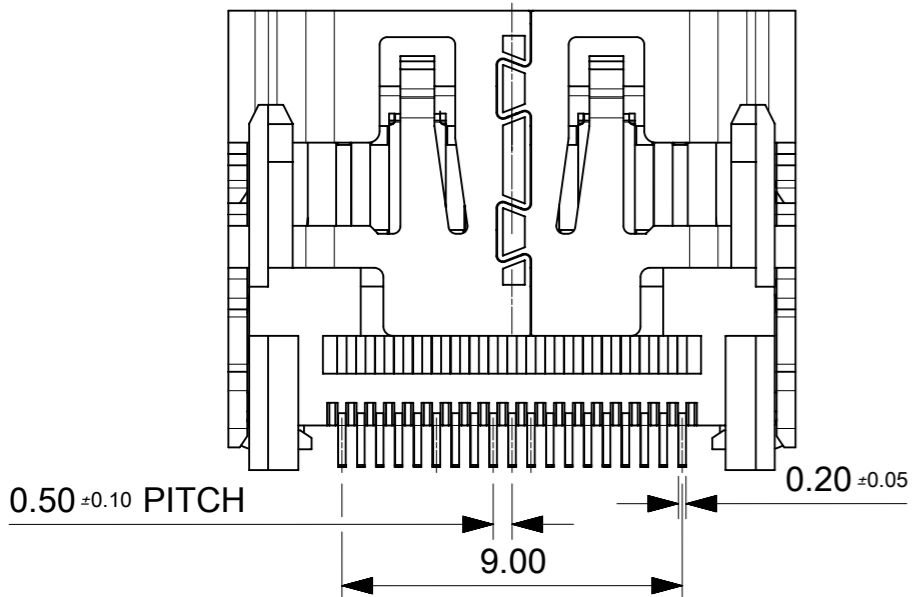
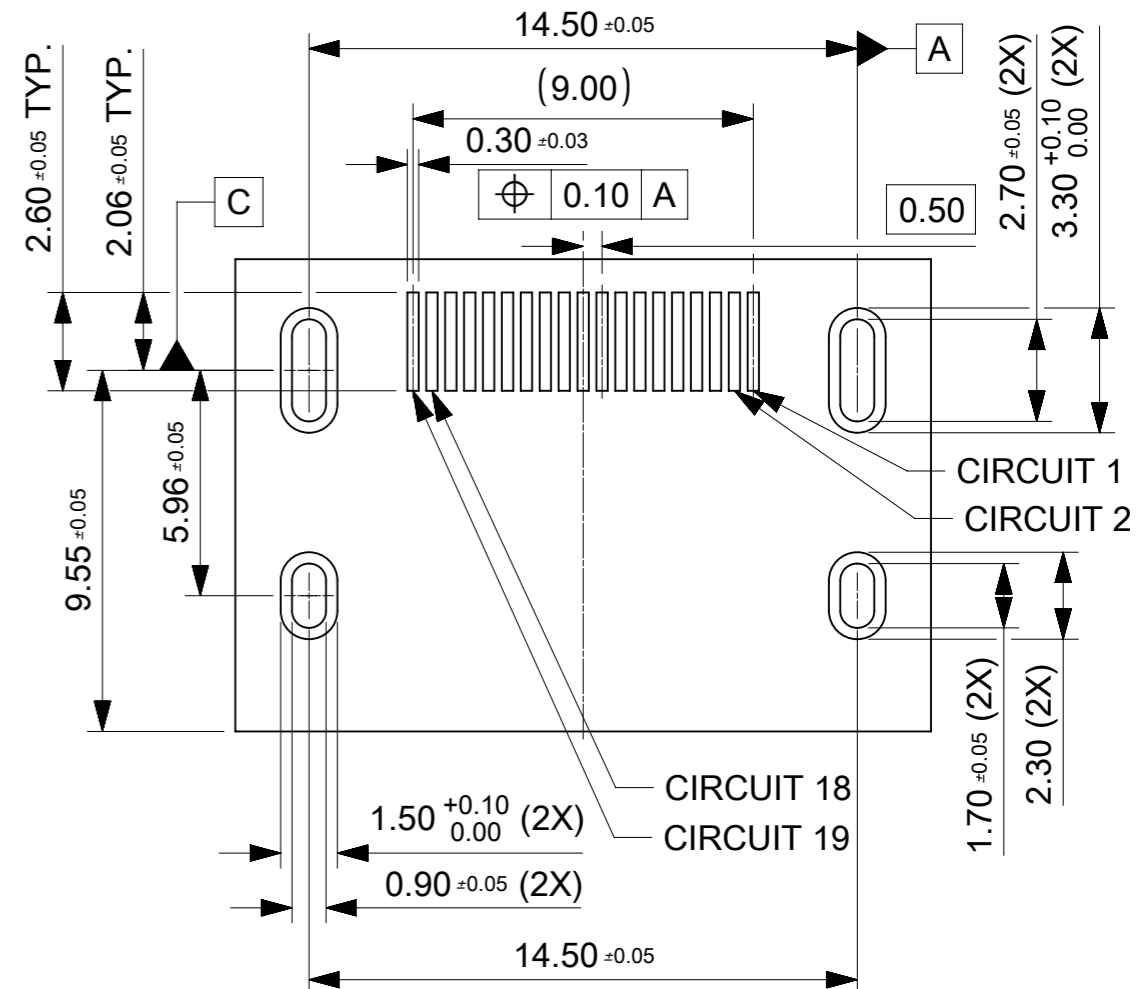
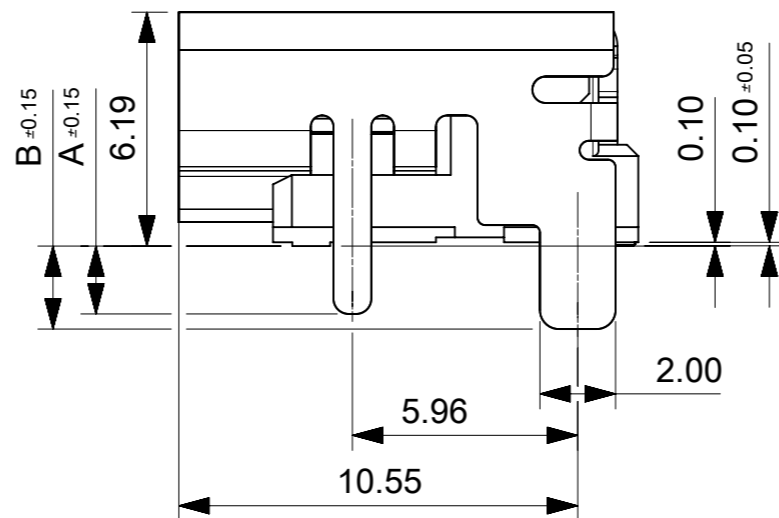
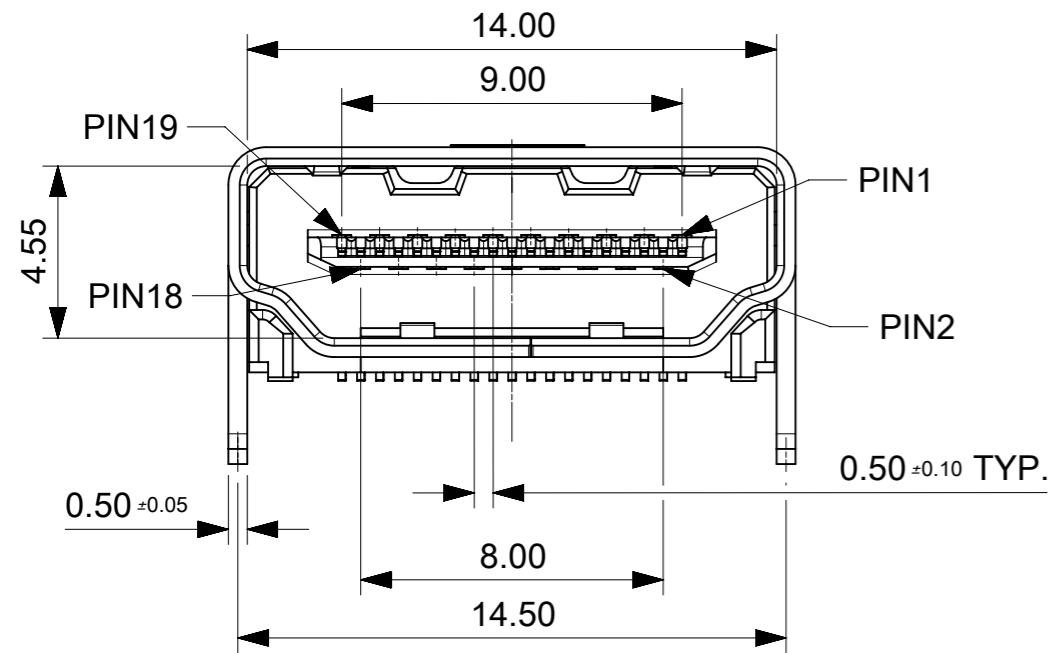
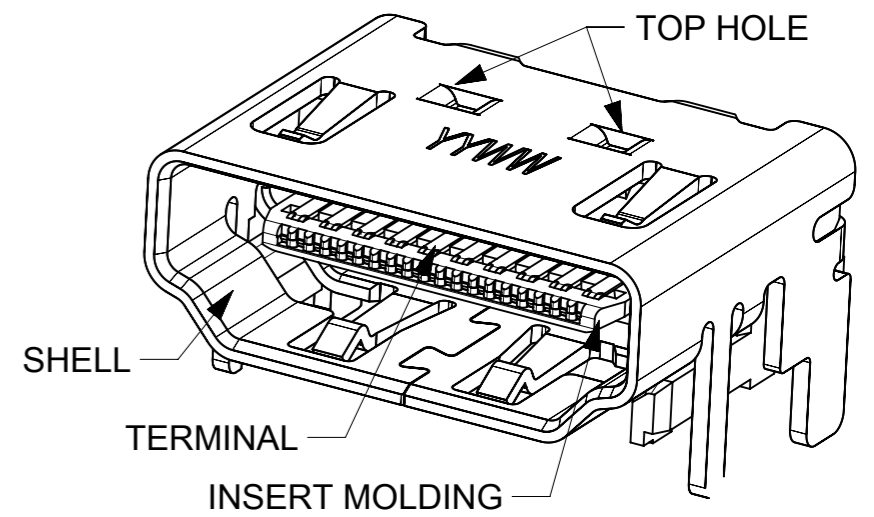
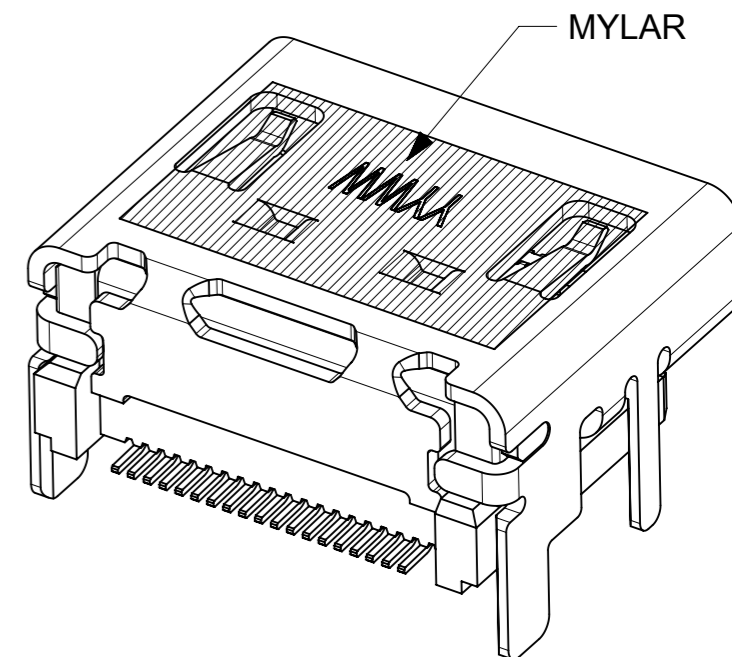
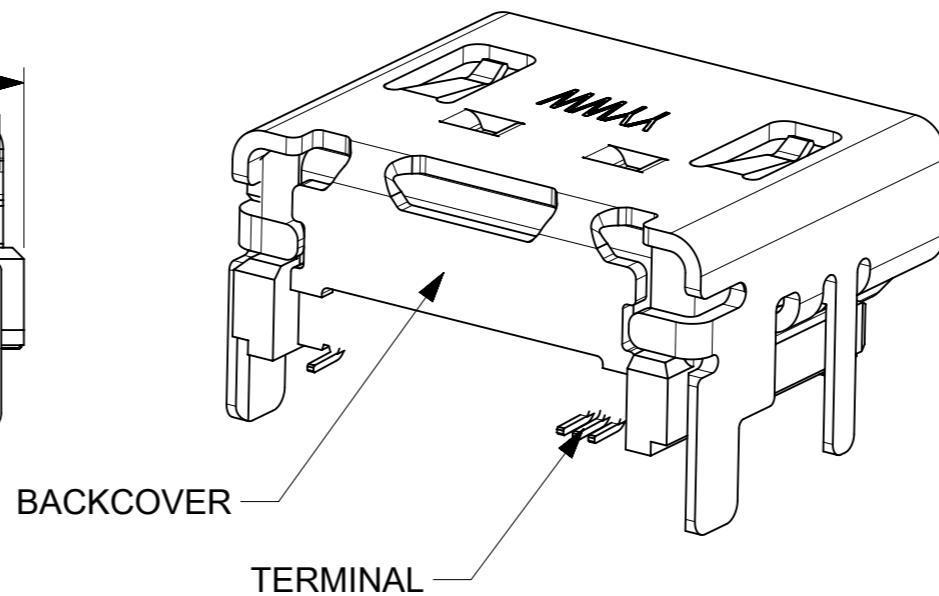
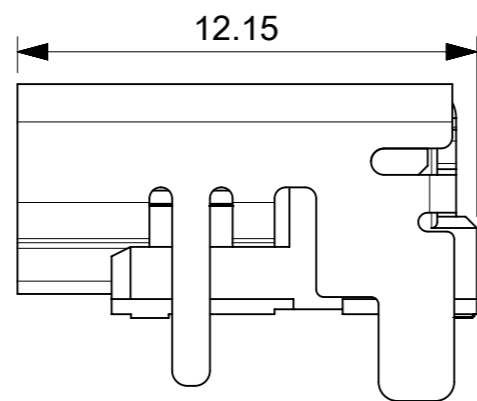
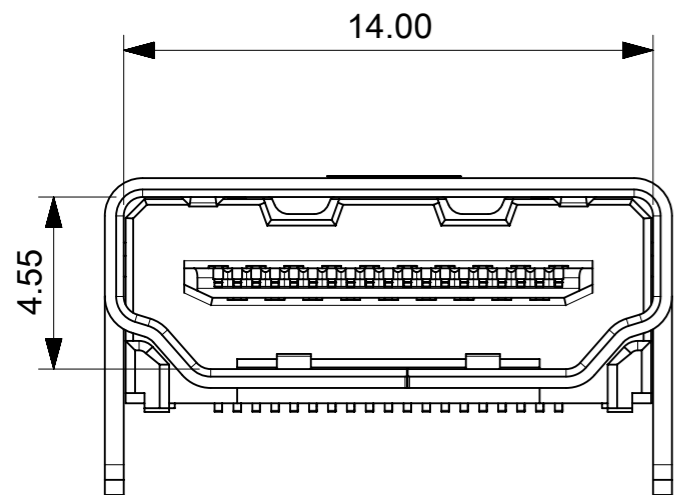
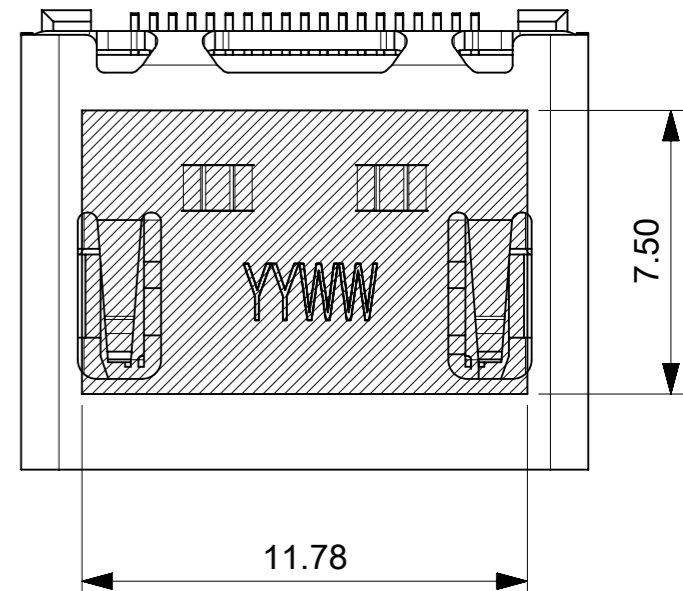
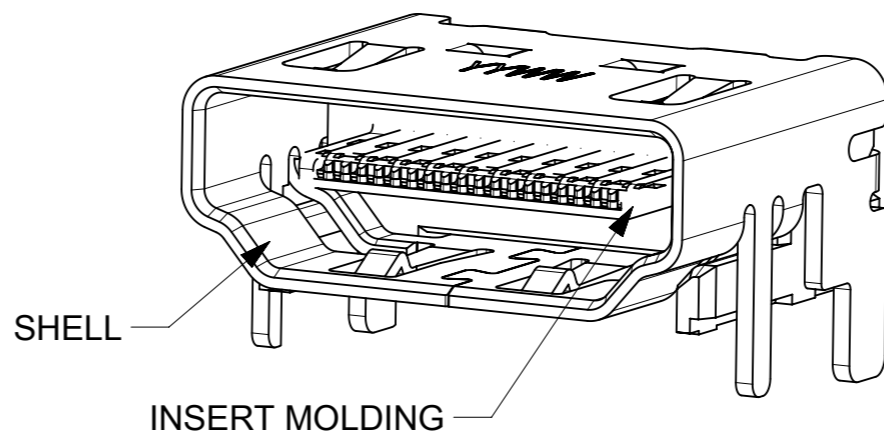
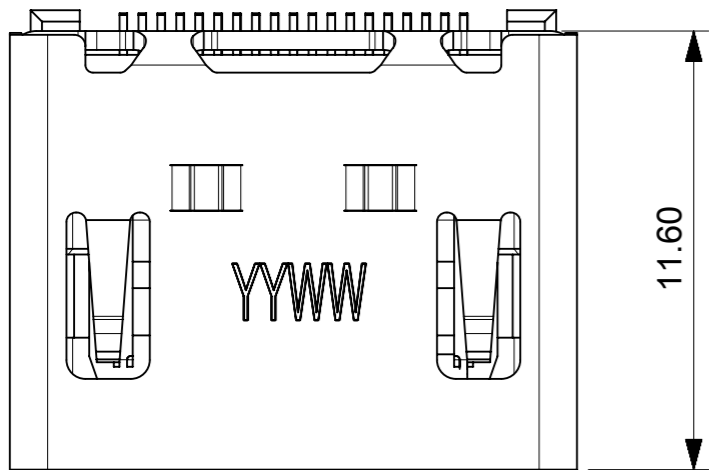


- NOTES:
- 1.MATERIAL:
HOUSING: LCP,COLOR:BLACK,UL94V0
SHELL:BRASS,ALLOY.
TERMINAL: BRASS,ALLOY.
 - 2.PLATING BE SEEN AT SHEET 5.
 - 3.COMPLANARITY OF SOLDER TAIL:0.10mm MAX.
 - 4.DATE CODE:YY=YEAR, WW=WEEK;
 - 5.PRODUCT SPEC. REFER TO 2086580001(PS);
 - 6.PACKAGE SPEC. REFER TO PACKAGE DRAWING BE APPOINTED AT SHEET 5.



RECOMMENDED PCB LAYOUT
CONNECTOR SIDE ONLY

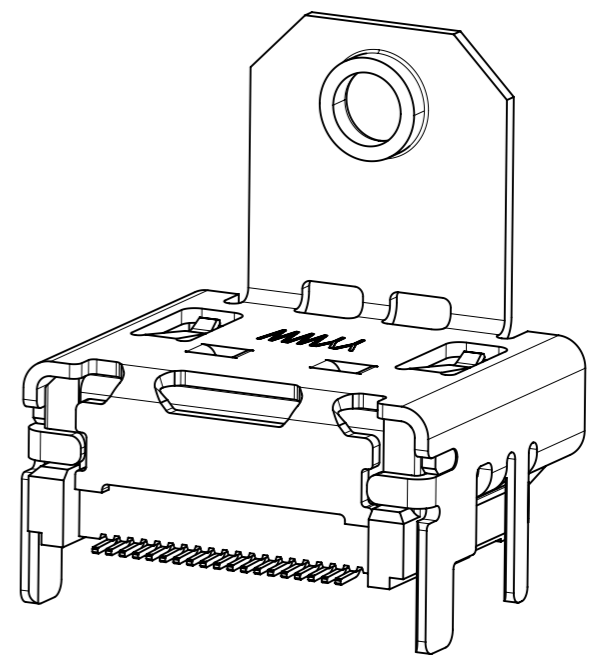
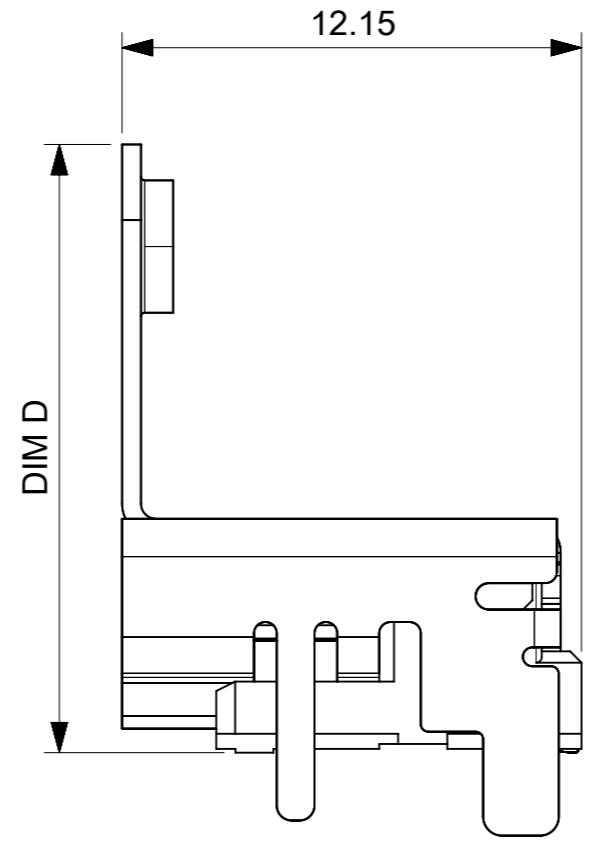
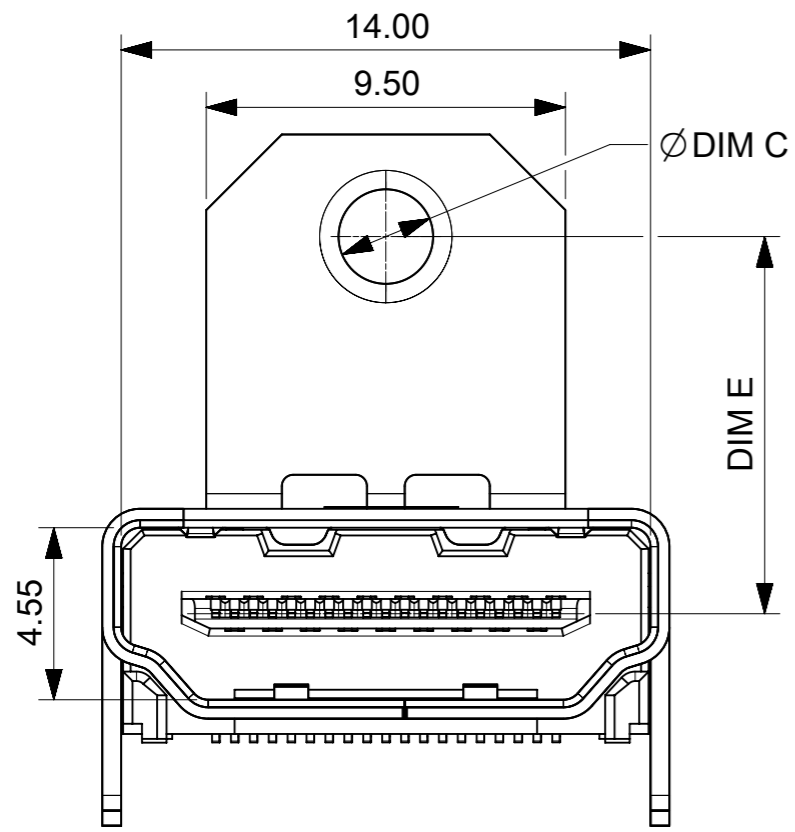
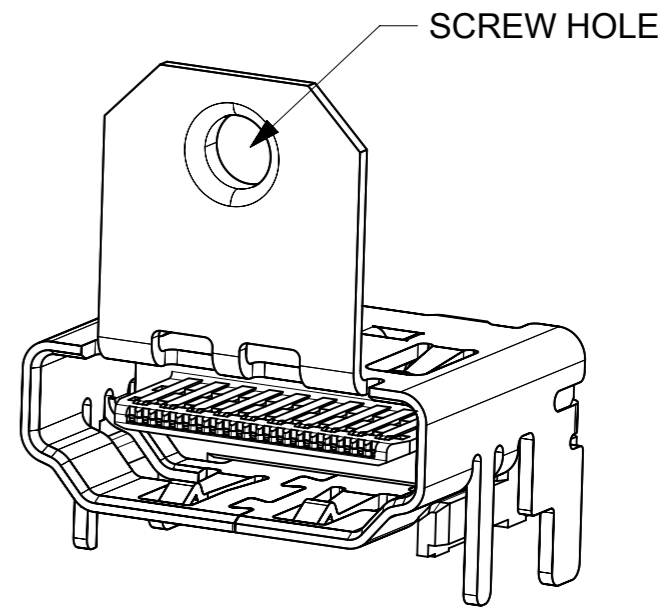
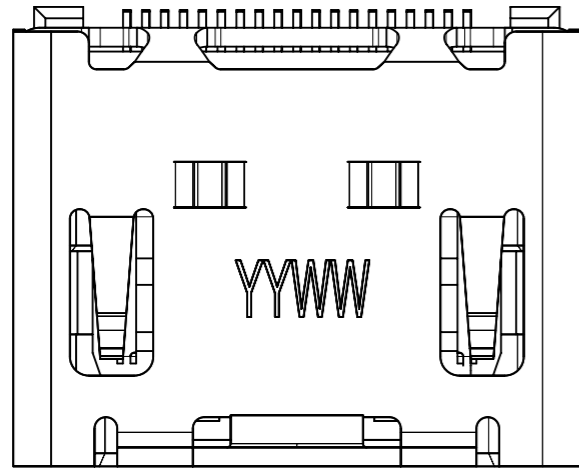
THIS DRAWING CONTAINS INFORMATION THAT IS PROPRIETARY TO MOLEX ELECTRONIC TECHNOLOGIES, LLC AND SHOULD NOT BE USED WITHOUT WRITTEN PERMISSION		CURRENT REV DESC:		molex	
DIMENSION UNITS	SCALE				
mm	5:1			HDMI FOR INSERT-MOLD TYPE	
GENERAL TOLERANCES (UNLESS SPECIFIED)		EC NO: 627489		DOCUMENT NUMBER	
ANGULAR TOL	± 3.0°	DRWN: JFAN18	2019/11/15	2086580001	
4 PLACES	±	CHK'D: XQZHANG	2019/11/15	DOC TYPE	DOC PART
3 PLACES	±	APPR: XQZHANG	2019/11/15	PSD	SD
2 PLACES	± 0.25	INITIAL REVISION:		REVISION	
1 PLACE	± 0.25	DRWN: JFAN18	2018/10/18	B	
0 PLACES	±	APPR: XQZHANG	2019/01/11		
DRAFT WHERE APPLICABLE MUST REMAIN WITHIN DIMENSIONS	THIRD ANGLE PROJECTION	DRAWING	SERIES	MATERIAL NUMBER	CUSTOMER
		A3-SIZE	208658	SEE TABLE	GENERAL MARKET
DOCUMENT STATUS		P1		RELEASE DATE	
2019/11/15		04:39:41			
SHEET NUMBER		1 OF 5			



THIS IS ONLY FOR 2086581061/1081

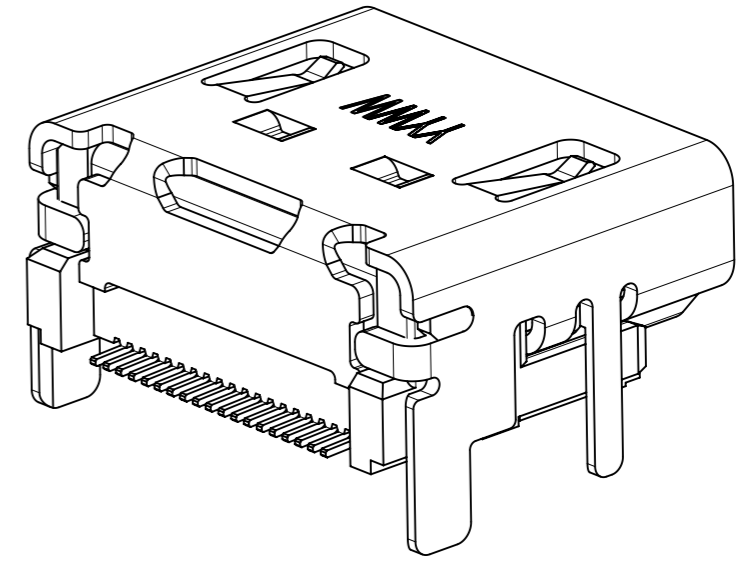
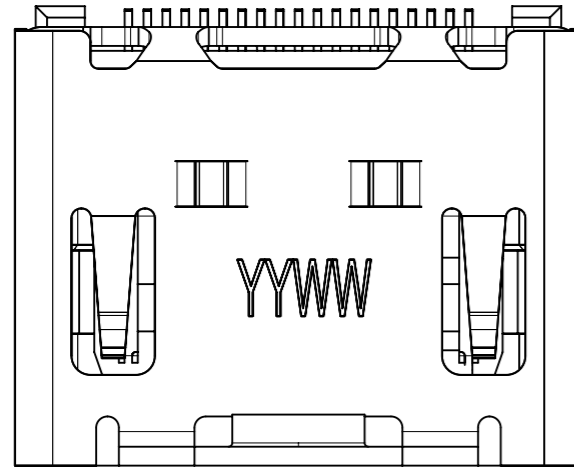
- NOTES:
 1. THE UNSPECIFIED DIMENSION ARE SAME AS SHEET 1.
 2. PACKAGE SPEC. REFER TO PACKAGE DRAWING BE APPOINTED IN SHEET 5.

THIS DRAWING CONTAINS INFORMATION THAT IS PROPRIETARY TO MOLEX ELECTRONIC TECHNOLOGIES, LLC AND SHOULD NOT BE USED WITHOUT WRITTEN PERMISSION		CURRENT REV DESC:		molex		
DIMENSION UNITS	SCALE					
mm	5:1			PRODUCT CUSTOMER DRAWING		
GENERAL TOLERANCES (UNLESS SPECIFIED)		EC NO: 627489		DOCUMENT NUMBER		
ANGULAR TOL	± 3.0°	DRWN: JFAN18 2019/11/15		2086580001		
4 PLACES	±	CHK'D: XQZHANG 2019/11/15		DOC TYPE	DOC PART	REVISION
3 PLACES	±	APPR: XQZHANG 2019/11/15		PSD	SD	B
2 PLACES	± 0.25	INITIAL REVISION:		MATERIAL NUMBER		
1 PLACE	± 0.25	DRWN: JFAN18 2018/10/18		CUSTOMER		
0 PLACES	±	APPR: XQZHANG 2019/01/11		GENERAL MARKET		
DRAFT WHERE APPLICABLE MUST REMAIN WITHIN DIMENSIONS		THIRD ANGLE PROJECTION	DRAWING	SERIES	SHEET NUMBER	
			A3-SIZE	208658	2 OF 5	

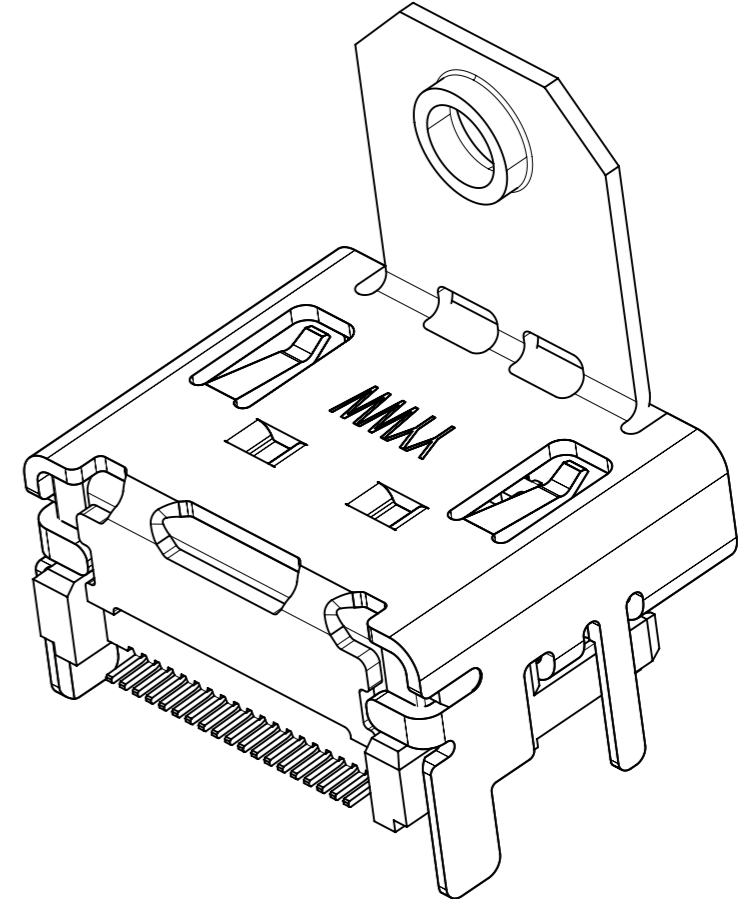
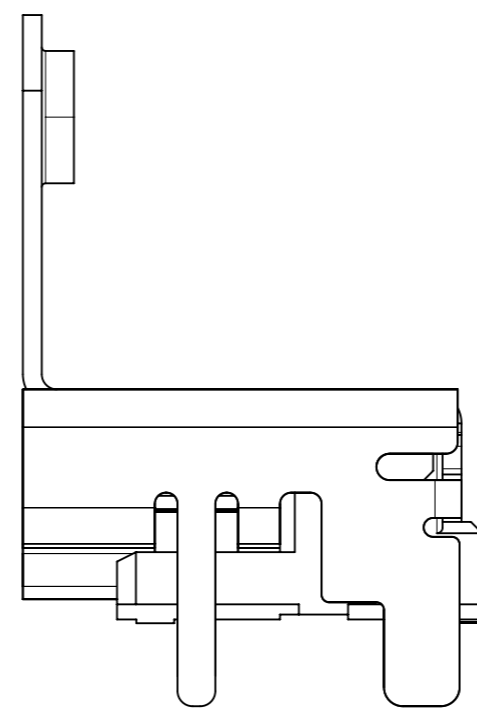
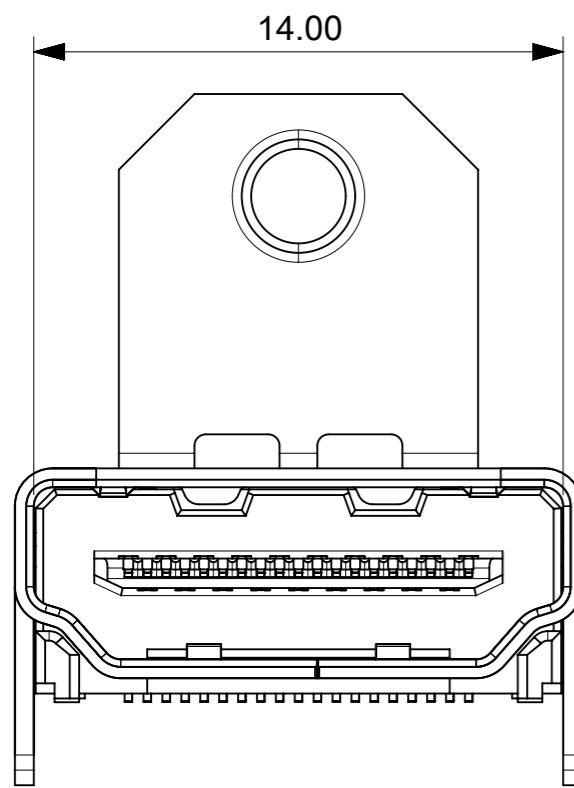


NOTES:
 1. THE UNSPECIFIED DIMENSIONS ARE SAME AS SHEET 1.
 2. PACKAGE SPEC. REFER TO PACKAGE DRAWING BE APPOINTED AT SHEET 5.

THIS DRAWING CONTAINS INFORMATION THAT IS PROPRIETARY TO MOLEX ELECTRONIC TECHNOLOGIES, LLC AND SHOULD NOT BE USED WITHOUT WRITTEN PERMISSION									
DIMENSION UNITS mm		SCALE 5:1		CURRENT REV DESC:				molex	
GENERAL TOLERANCES (UNLESS SPECIFIED)		EC NO: 627489		DRWN: JFAN18 2019/11/15		HDMI FOR INSERT-MOLD TYPE			
ANGULAR TOL ± 3.0°		4 PLACES ±		CHK'D: XQZHANG 2019/11/15		PRODUCT CUSTOMER DRAWING		DOCUMENT NUMBER	
3 PLACES ±		2 PLACES ± 0.25		APPR: XQZHANG 2019/11/15		INITIAL REVISION:		2086580001	
1 PLACE ± 0.25		0 PLACES ±		DRWN: JFAN18 2018/10/18		APPR: XQZHANG 2019/01/11		PSD SD B	
DRAFT WHERE APPLICABLE MUST REMAIN WITHIN DIMENSIONS		THIRD ANGLE PROJECTION		DRAWING		SERIES		MATERIAL NUMBER	
		A3-SIZE		208658		SEE TABLE		GENERAL MARKET	
								SHEET NUMBER	
								3 OF 5	



THIS IS FOR 2086588131



THIS IS FOR 2086588121

NOTES:
 1. THE UNSPECIFIED DIMENSIONS ARE SAME AS SHEET 1&3.
 2. PACKAGE SPEC. REFER TO PACKAGE DRAWING BE APPOINTED IN SHEET 5.

THIS DRAWING CONTAINS INFORMATION THAT IS PROPRIETARY TO MOLEX ELECTRONIC TECHNOLOGIES, LLC AND SHOULD NOT BE USED WITHOUT WRITTEN PERMISSION											
DIMENSION UNITS		SCALE		CURRENT REV DESC:						molex	
mm		5:1									
GENERAL TOLERANCES (UNLESS SPECIFIED)				EC NO: 627489						HDMI FOR INSERT-MOLD TYPE	
ANGULAR TOL ± 3.0 °				DRWN: JFAN18 2019/11/15						DOCUMENT NUMBER	
4 PLACES ±				CHK'D: XQZHANG 2019/11/15						2086580001	
3 PLACES ±				APPR: XQZHANG 2019/11/15						DOC TYPE	
2 PLACES ± 0.25				INITIAL REVISION:						DOC PART	
1 PLACE ± 0.25				DRWN: JFAN18 2018/10/18						REVISION	
0 PLACES ±				APPR: XQZHANG 2019/01/11						B	
DRAFT WHERE APPLICABLE MUST REMAIN WITHIN DIMENSIONS		THIRD ANGLE PROJECTION		DRAWING		SERIES		MATERIAL NUMBER		CUSTOMER	
				A3-SIZE		208658		SEE TABLE		GENERAL MARKET	
DOCUMENT STATUS		P1		RELEASE DATE		2019/11/15 04:39:41		SHEET NUMBER		4 OF 5	

MOLEX P/N	DIMENSION					FEATURE				GOLD PLATING IN CONTACT AREA	PACKAGE D/N	REMARK				
	DIM. A	DIM. B	DIM. C	DIM. D	DIM. E	FLANGE	BACK COVER	TOPE HOLES	MYLAR							
208658-1001	1.8	2.2	/	/	/	W/O				W/O	GOLD PLATING 0.76 MICROMETER	2086589901(Reel)	SHEET2			
208658-1051			/	/	/									GOLD FLASH		
208658-1061			/	/	/									GOLD PLATING 0.76 MICROMETER		
208658-1081			/	/	/									GOLD FLASH		
208658-1101	1.45	1.45	/	/	/	WITH	WITH		W/O	GOLD PLATING 0.76 MICROMETER	2086589902(Tray)	SHEET3				
208658-1002	1.8	2.2	M3.0 X 0.5	16.08	9.975								WITH			GOLD FLASH
208658-1052			M3.0 X 0.5	16.08	9.975											
208658-1102	1.45	1.45	M3.0 X 0.5	16.08	9.975	W/O				GOLD PLATING 0.76 MICROMETER	2086589901(Reel)	SHEET4				
208658-8131	2.2	2.2	/	/	/								WITH			
208658-8121			M3.0 X 0.5	16.08	9.975											

PLATING:

(1).TERMINAL:

CONTACT AREA BE SEEN TABLE AS ABOVE;
 SOLDER TAIL AREA GOLD FLASH PLATING.
 UNDER PLEATING:1.27 MICROMETER MIN. NICKEL.

(2).SHELL:

1.25~3.75 MICROMETER SOLDERABLE NICKEL PLATING AT SOLDER TAIL AREA
 0.75 MICROMETER MIN. SOLDERABLE NICKEL PLATING AT OTHER AREA.

THIS DRAWING CONTAINS INFORMATION THAT IS PROPRIETARY TO MOLEX ELECTRONIC TECHNOLOGIES, LLC AND SHOULD NOT BE USED WITHOUT WRITTEN PERMISSION											
DIMENSION UNITS		SCALE		CURRENT REV DESC:						molex	
mm		1:1									
GENERAL TOLERANCES (UNLESS SPECIFIED)				EC NO: 627489						HDMI FOR INSERT-MOLD TYPE	
ANGULAR TOL ± 3.0 °				DRWN: JFAN18 2019/11/15							
4 PLACES ±				CHK'D: XQZHANG 2019/11/15							
3 PLACES ±				APPR: XQZHANG 2019/11/15						PRODUCT CUSTOMER DRAWING	
2 PLACES ± 0.25				INITIAL REVISION:						DOCUMENT NUMBER	
1 PLACE ± 0.25				DRWN: JFAN18 2018/10/18						2086580001	
0 PLACES ±				APPR: XQZHANG 2019/01/11						PSD SD B	
DRAFT WHERE APPLICABLE MUST REMAIN WITHIN DIMENSIONS		THIRD ANGLE PROJECTION		DRAWING		SERIES		MATERIAL NUMBER		CUSTOMER	
				A3-SIZE		208658		SEE TABLE		GENERAL MARKET	
DOCUMENT STATUS		P1		RELEASE DATE		2019/11/15 04:39:41		SHEET NUMBER		5 OF 5	