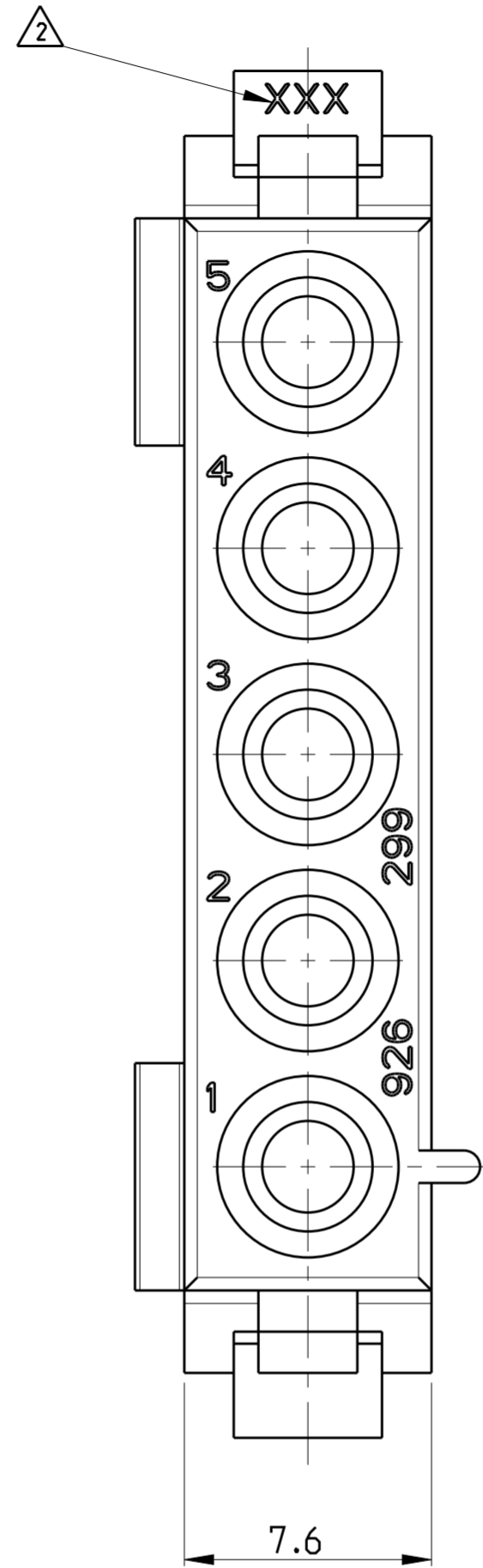
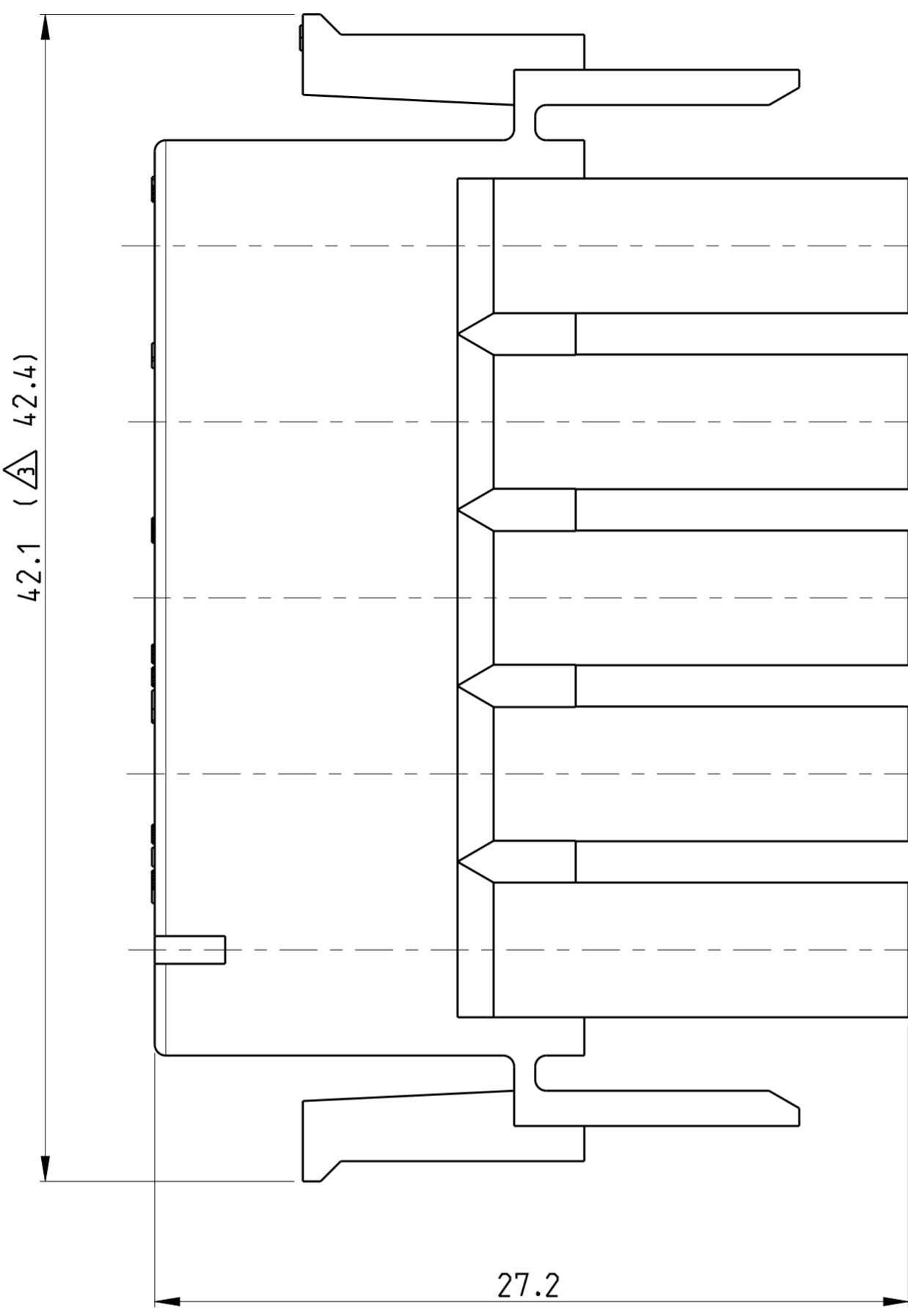
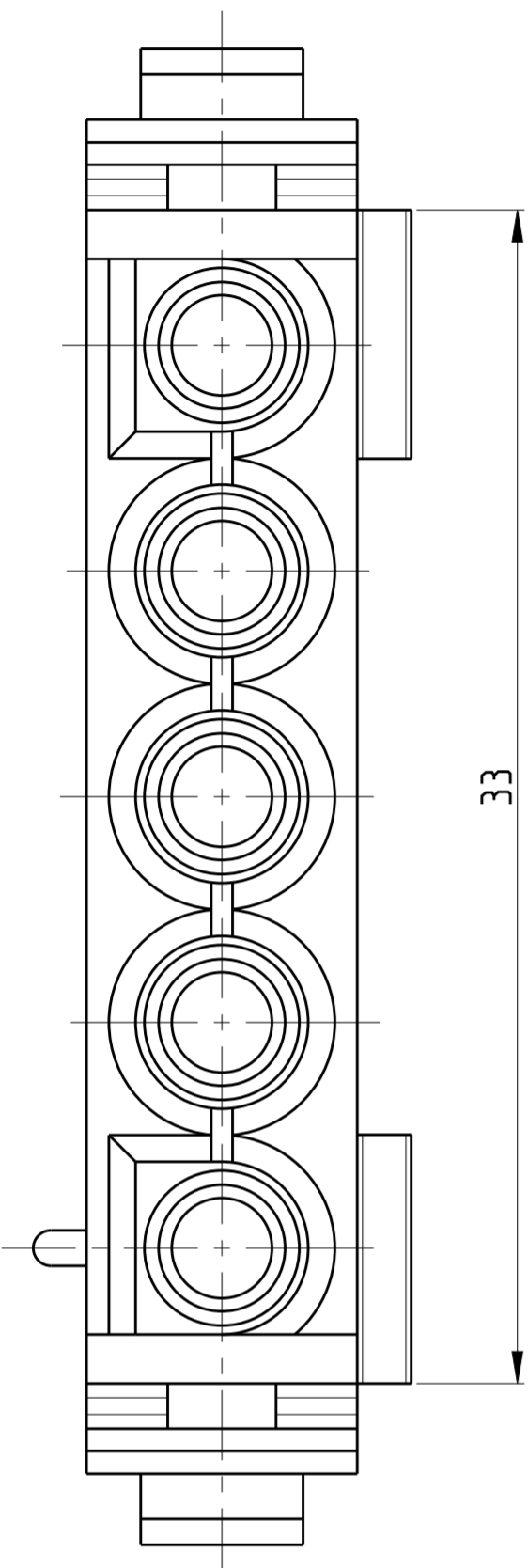


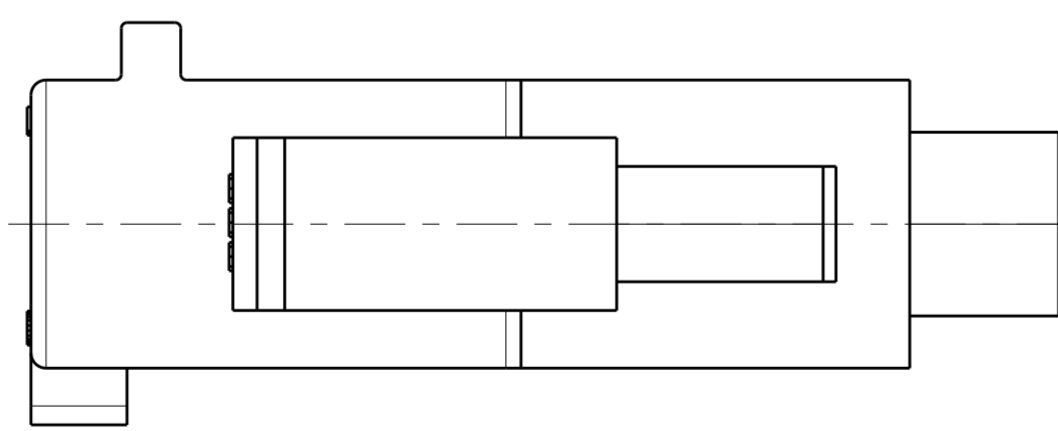
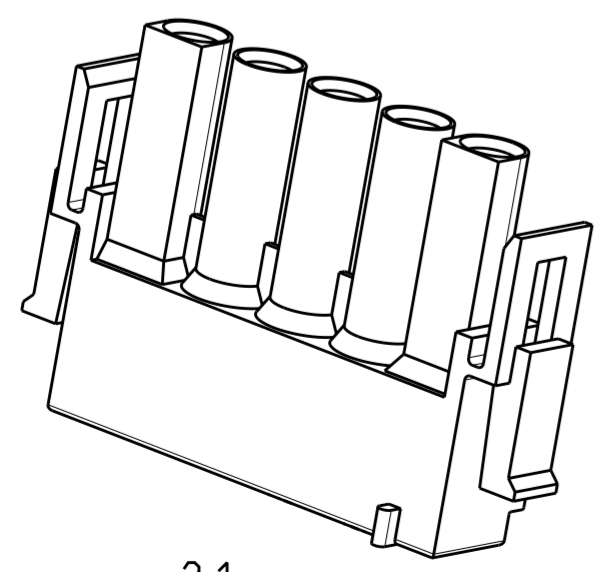
THIS DRAWING IS UNPUBLISHED. RELEASED FOR PUBLICATION 2003  
 © COPYRIGHT 2003 ALL RIGHTS RESERVED.

LOC	DIST	REVISIONS					
A1	-	P	LTR	DESCRIPTION	DATE	DWN	APVD
		F1		NEW CAD-DRAWING CREATED	22MAY2003	ABR	H.K.
		F2		VARIANT -5 ADDED	31JUL2006	J.W.	W.H.
		G		ECR-12-011202	24 JUL2013	MGT	RP
		H		REVISED PER ECR-13-019169	05SEP2014	AV	DZ



Bemerkungen  
NOTES

- 1 Neues Material ( Phosphor und Halogen frei )  
NEW MATERIAL ( PHOSPHORUS AND HALOGENEUS FREE )
- 2 Hersteller-Logo und Ländercode  
nach AMP-Spez. 115-18016  
BRANDNAME AND MANUFACTURING LOCATION CODE  
ACCORDING SPEC. 115-18016
- 3 Gl ühdrahtprüfung 750 °C (ohne Flamme)  
Maß 42.4 nur für Var. ...-5  
GW T 750 °C (WITHOUT FLAME)  
DIM 42.4 ONLY FOR VAR. ...-5
- 4 Farbe der Gehäuse kann anhand klar, grün oder gelb  
wegen hygroskopischen Natur resin.However es hat keinen  
Einfluss auf die Form, Passform und Funktion der Produktpalette.  
COLOR OF HOUSINGS MAY RANGE FROM CLEAR TO GREEN OR YELLOW DUE  
TO HYGROSCOPIC NATURE OF RESIN. HOWEVER IT DOESN'T AFFECT THE FORM,  
FIT AND FUNCTION OF THE PRODUCT.



926299-5	PA6 UL94 V-0	3	natur NATURAL
926299-4	PA6.6 UL94 V-0		weiß WHITE
926299-3	PA6.6 UL94 V-0	1	natur NATURAL
926299-2	PA6.6 UL94 V-0		schwarz BLACK
926299-1	PA 66 UL94 V-2	4	natur NATURAL
PART NO.	MATERIAL		COLOR

THIS DRAWING IS A CONTROLLED DOCUMENT.

DWN Abraham.G. 22MAY03  
CHK Kampmann.H. 23MAY03  
APVD -

**STE** TE Connectivity

NAME: 5-pol. Steckergewüse  
5 WAY PLUG

SIZE: A2 CAGE CODE: 926299 DRAWING NO: 926299 RESTRICTED TO: -

MATERIAL: SEE TABLE DIMENSIONS: mm TOLERANCES UNLESS OTHERWISE SPECIFIED: 0 PLC ± 0.2 1 PLC ± 0.2 2 PLC ± 0.2 3 PLC ± 0.2 4 PLC ± 0.2 ANGLES ± ° FINISH: - WEIGHT: 3.1 g SCALE: 5:1 SHEET 1 OF 1 REV H

CUSTOMER DRAWING