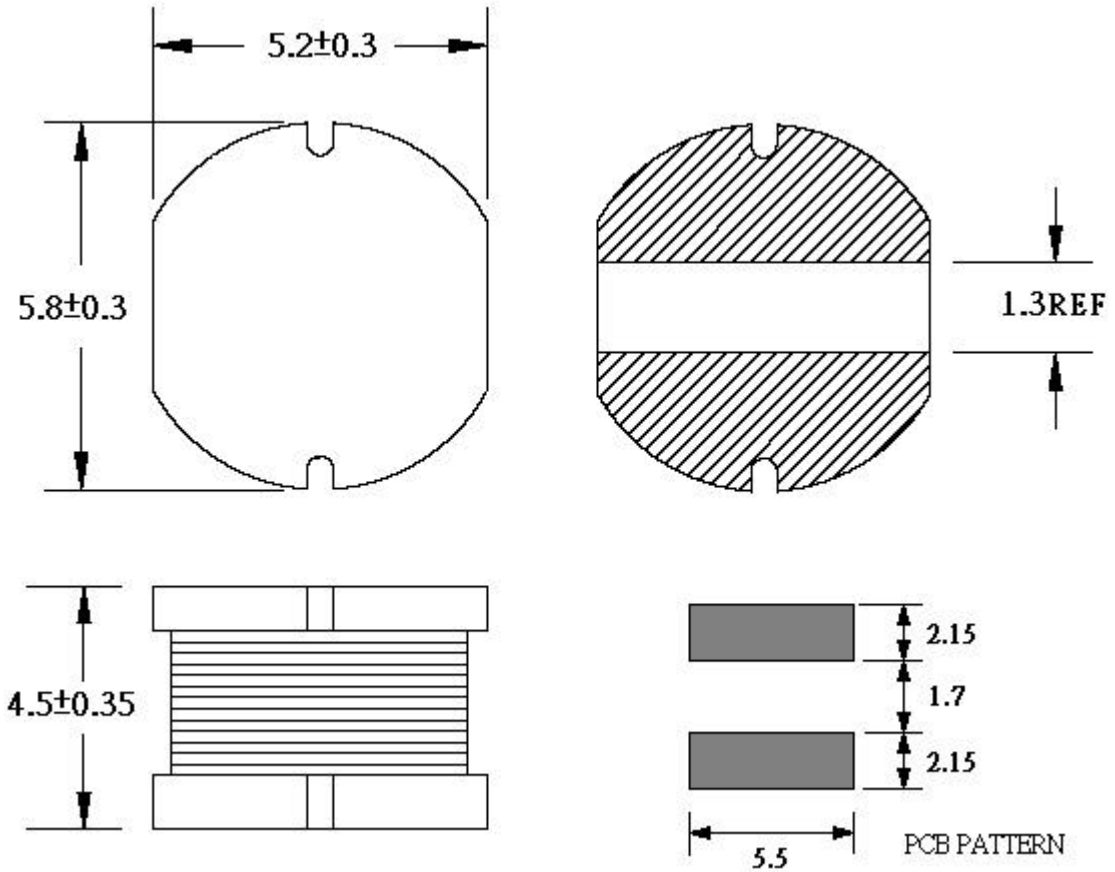


TCK-044



All dimensions in mm

SPECIFICATIONS		Common Mode Choke TCK-044
Inductance	3.3 μ H \pm 20%	
	Test Condition: 1KHz/1000mV Measurement Instrument: HP 4263B LCR Meter	
Impedance	DCR(Max): 60m Ω	
	Measurement Instrument: Agilent 34401A Meter	
Rated current	IDC(Max): 2A	
	Measurement Instrument: Agilent 34401A Meter	