

SIMONWORK

BT2 1200

mobile*

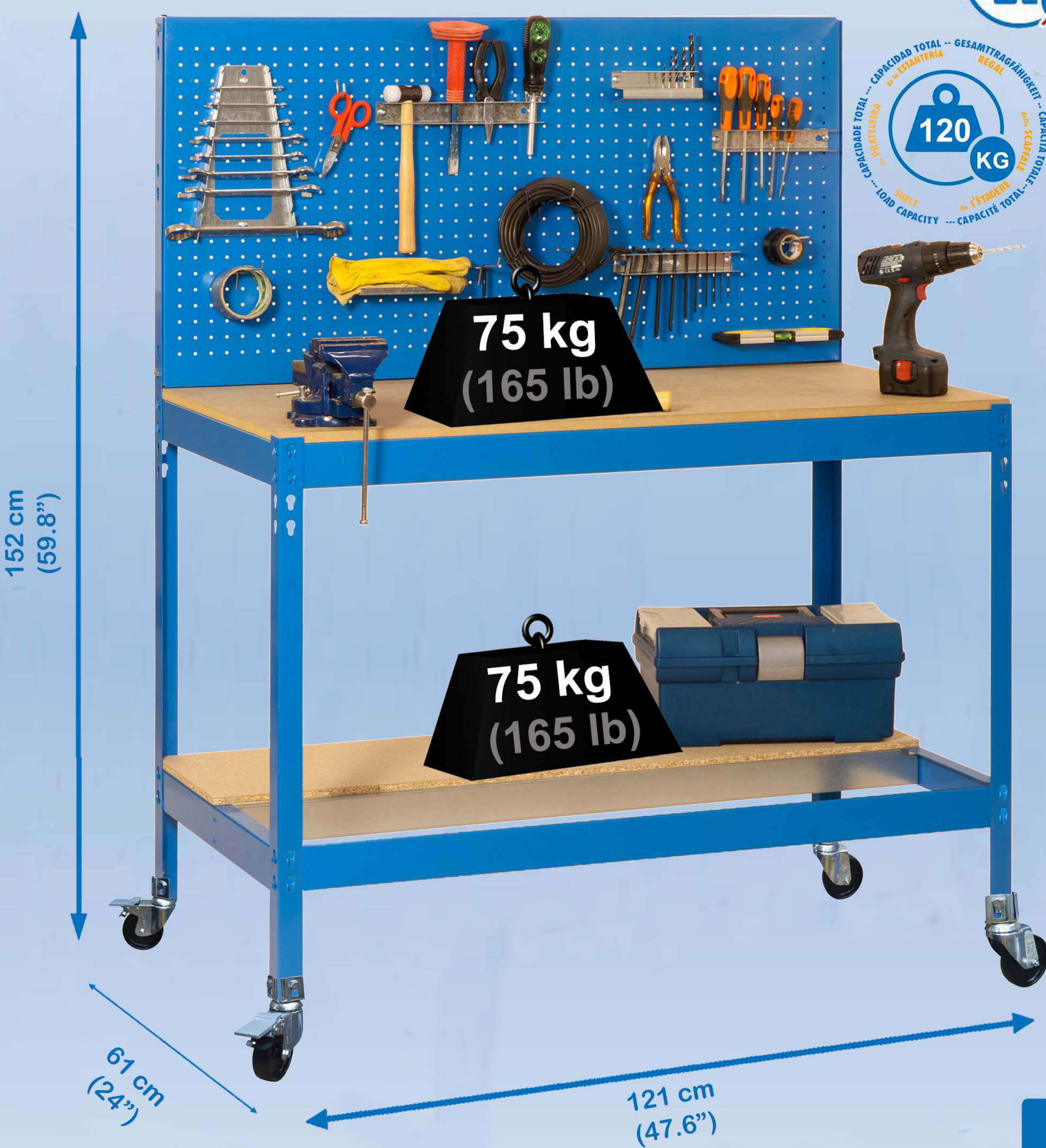


Simon Rack

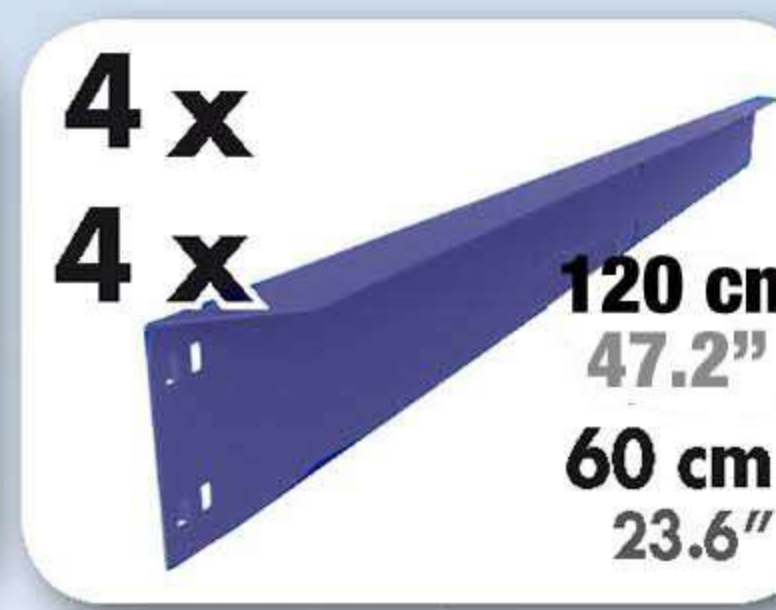
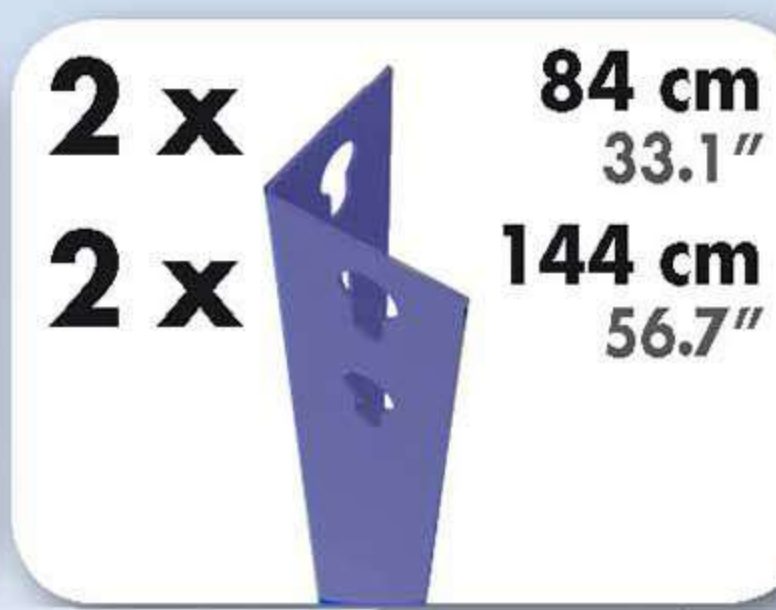
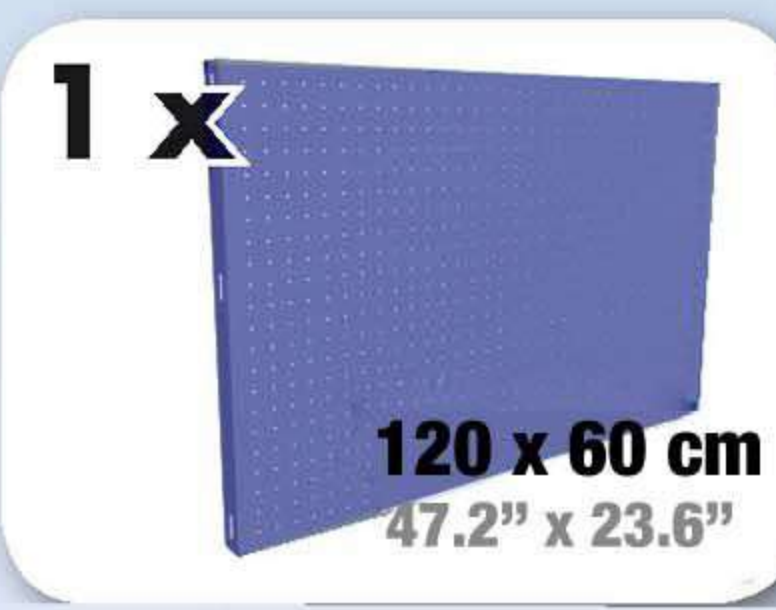
SINCE 1964 - MANUFACTURER

152 x 121 x 61 cm

59.8" x 47.6" x 24.0"



Carga uniformemente repartida
Evenly distributed load
Gleichmäßig verteilte Last
Charge uniformément répartie
Carga uniformemente distribuida



ESTANTERIAS SIMON S.L. B.50.556.463
 PG. ALFAMEN C/ POLIGONO C. Nº3
 ALFAMEN (ZARAGOZA)

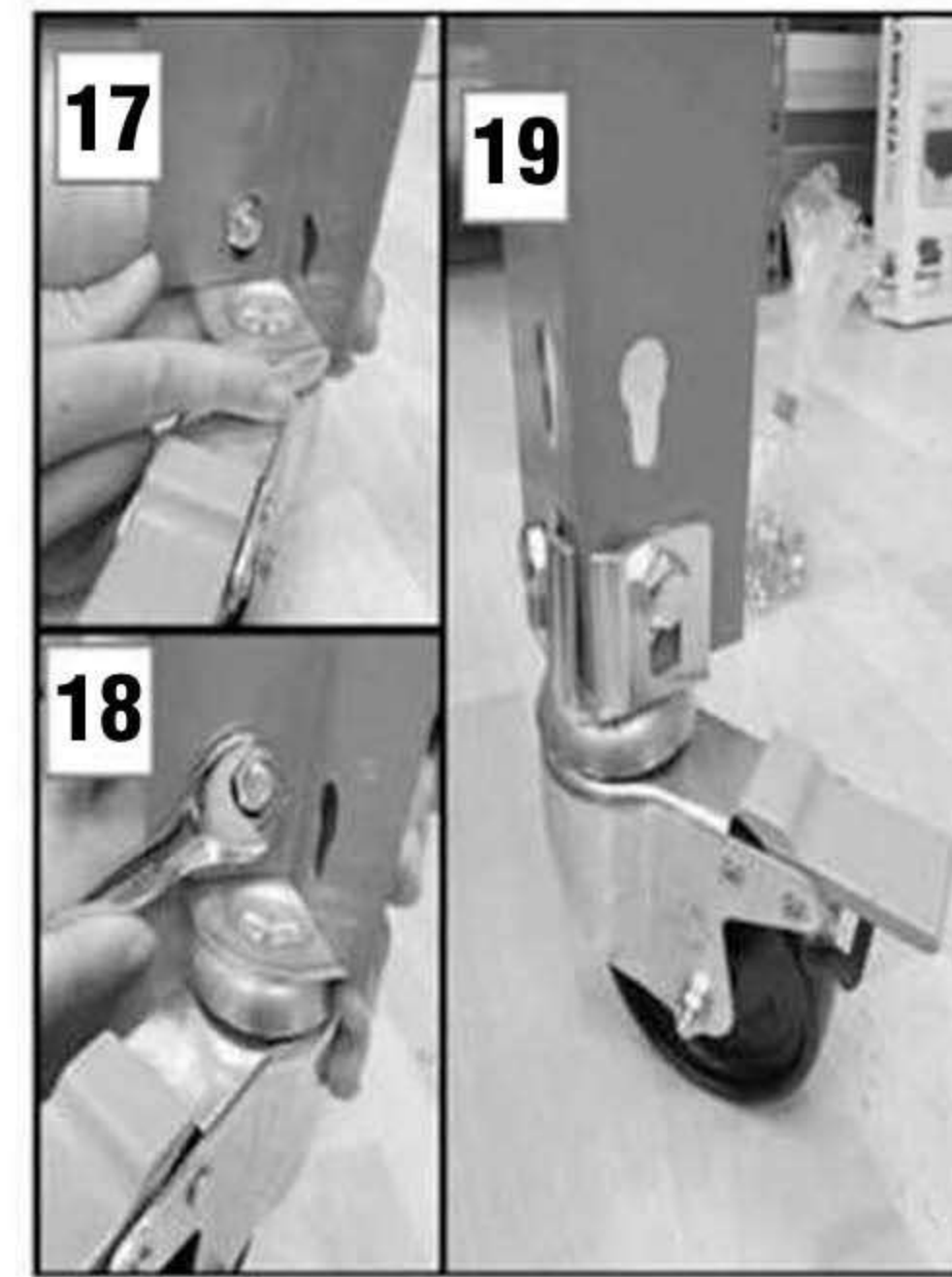
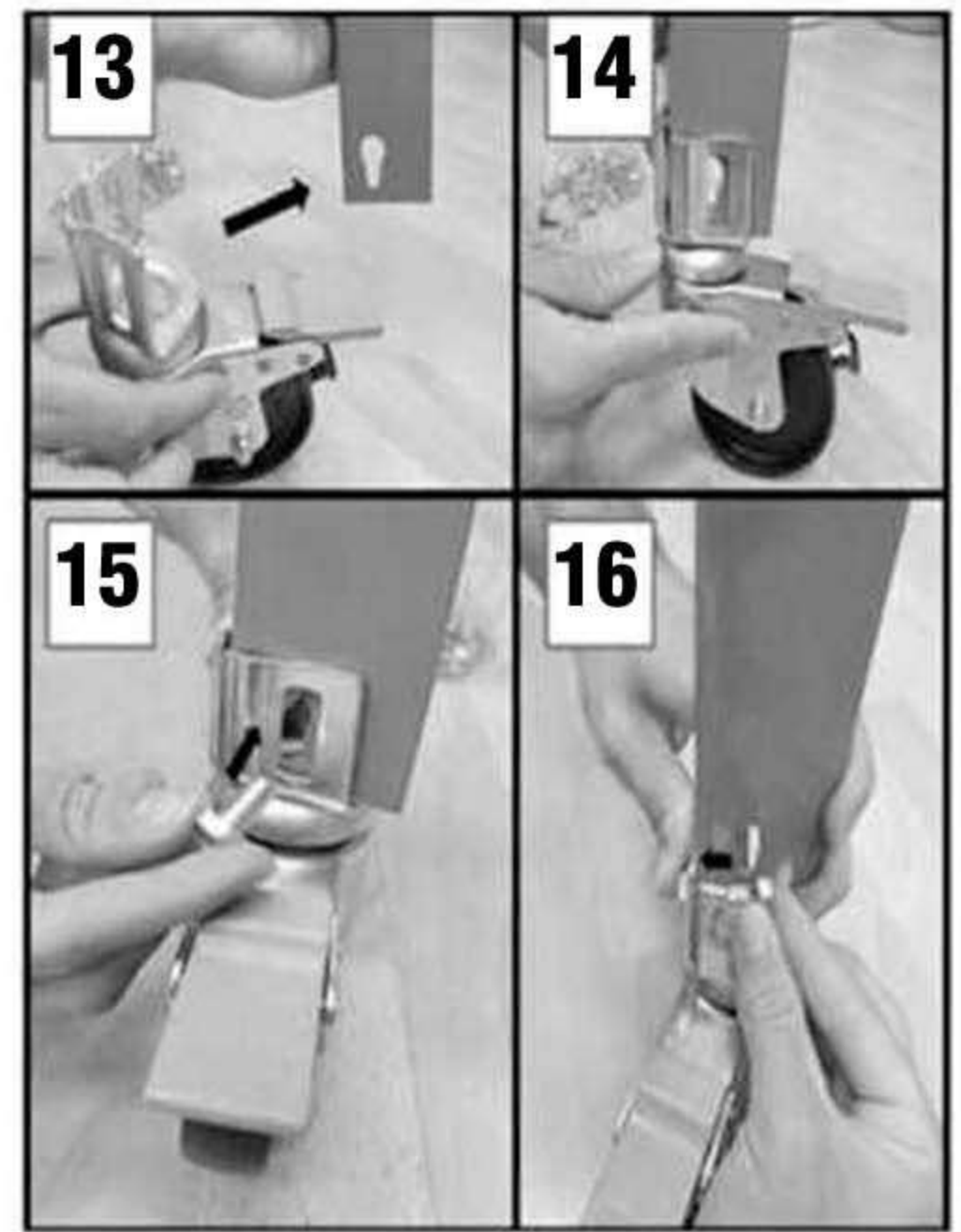
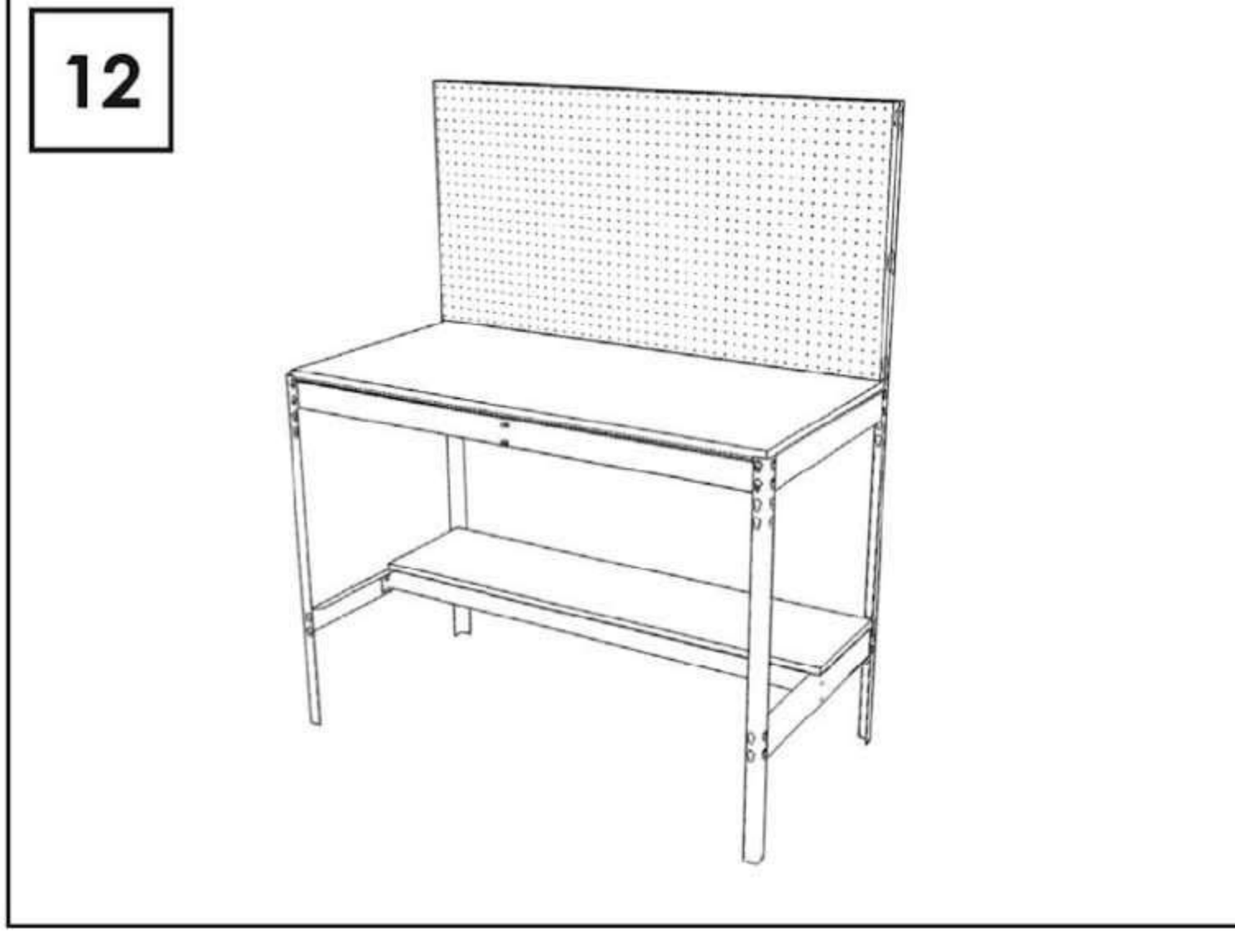
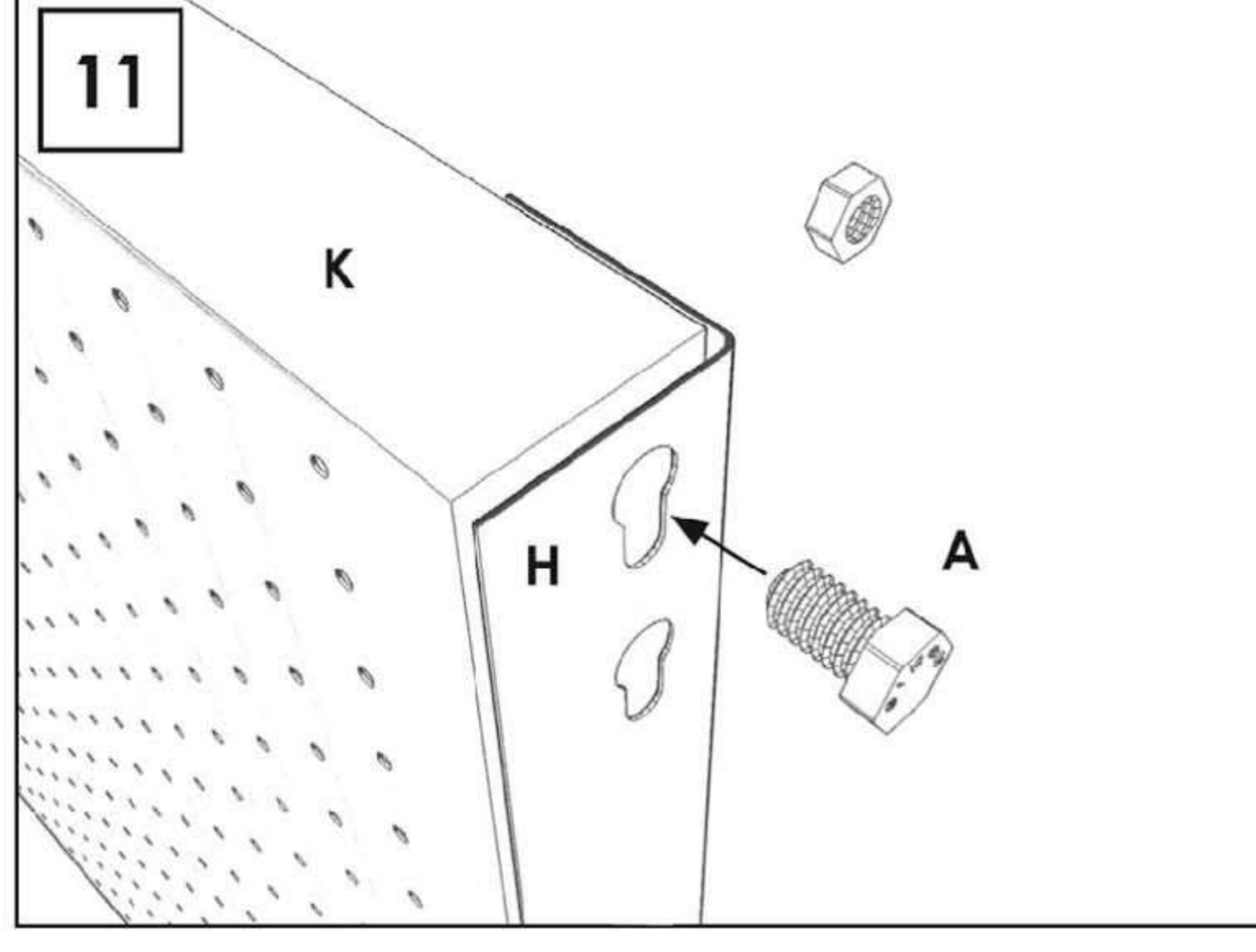
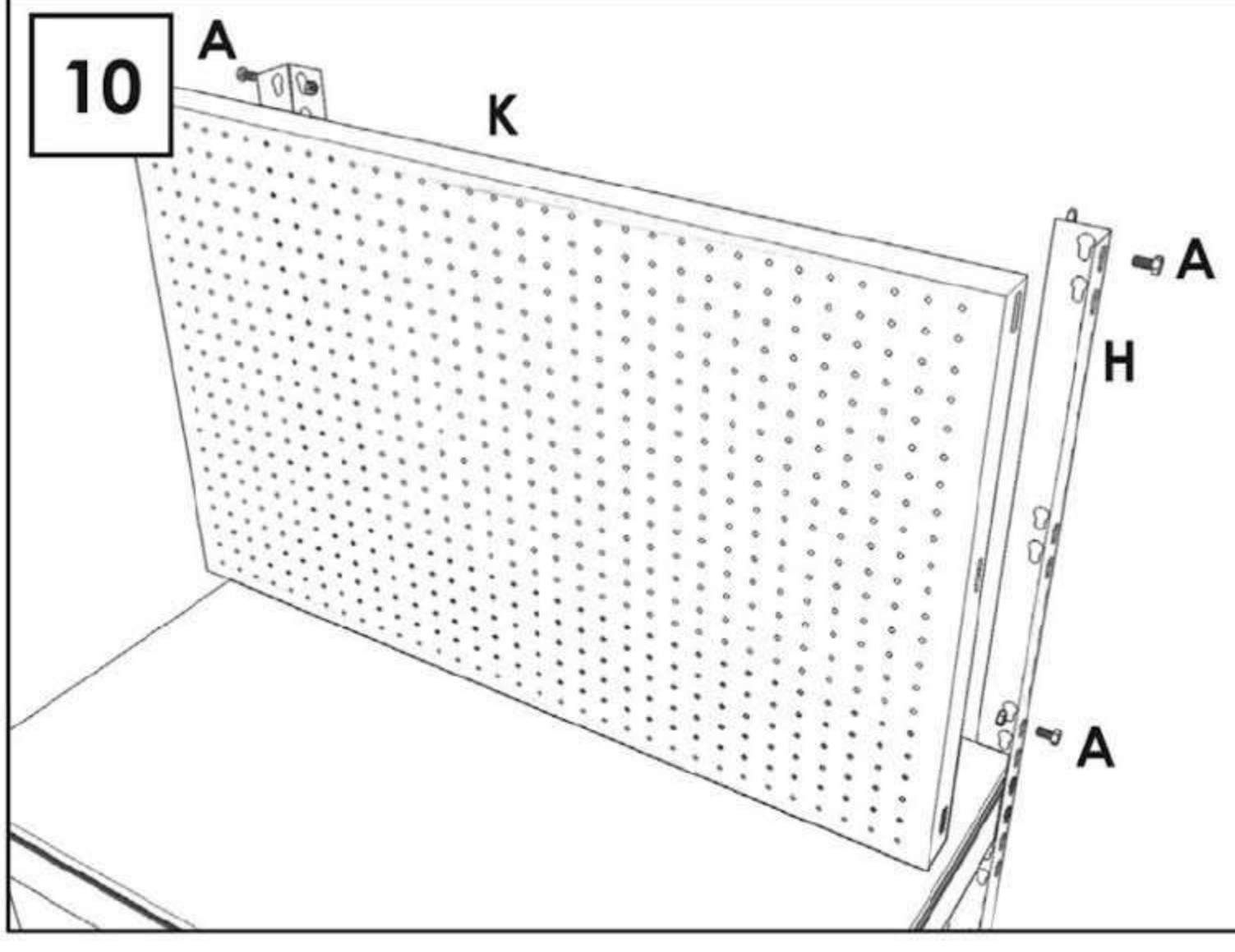
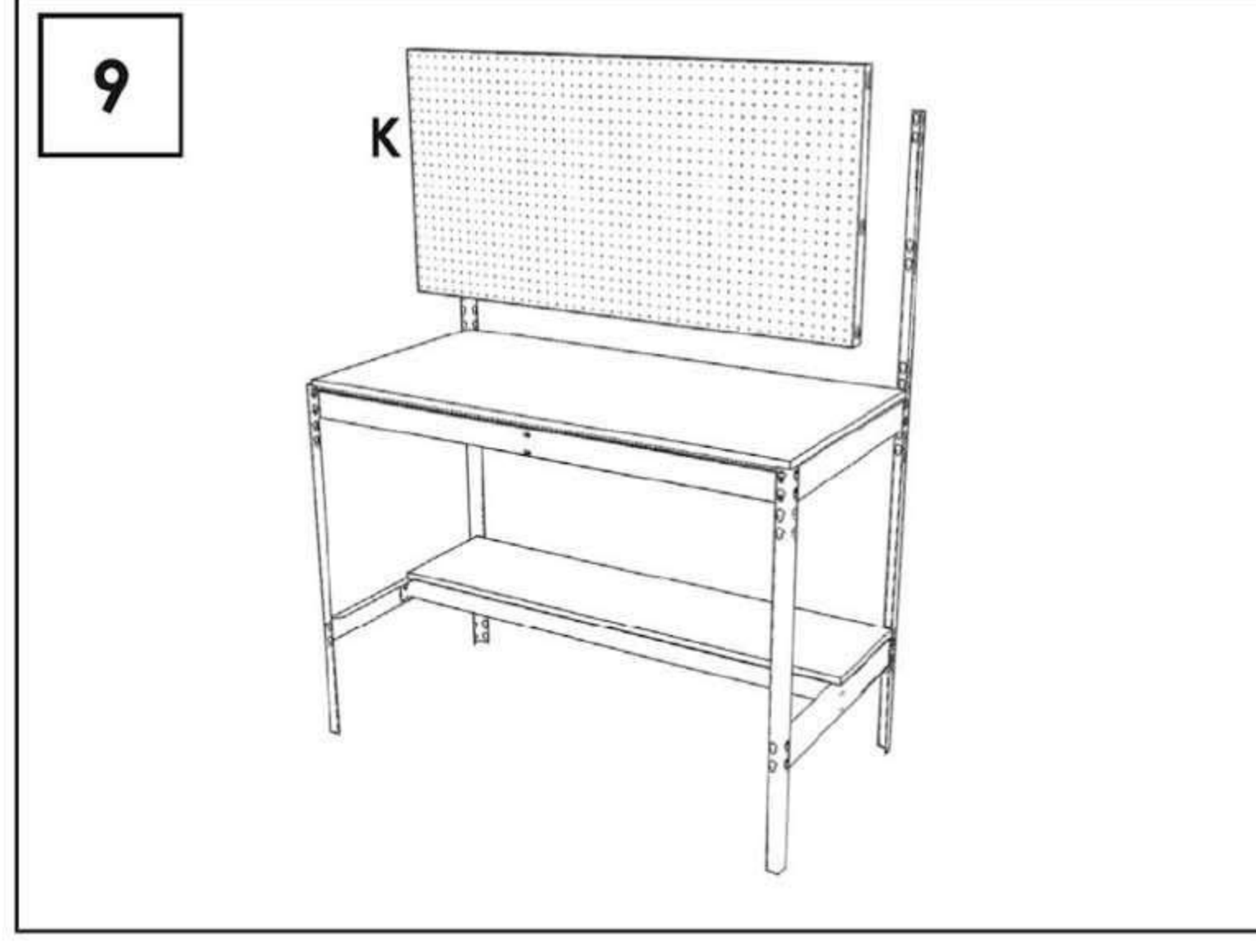
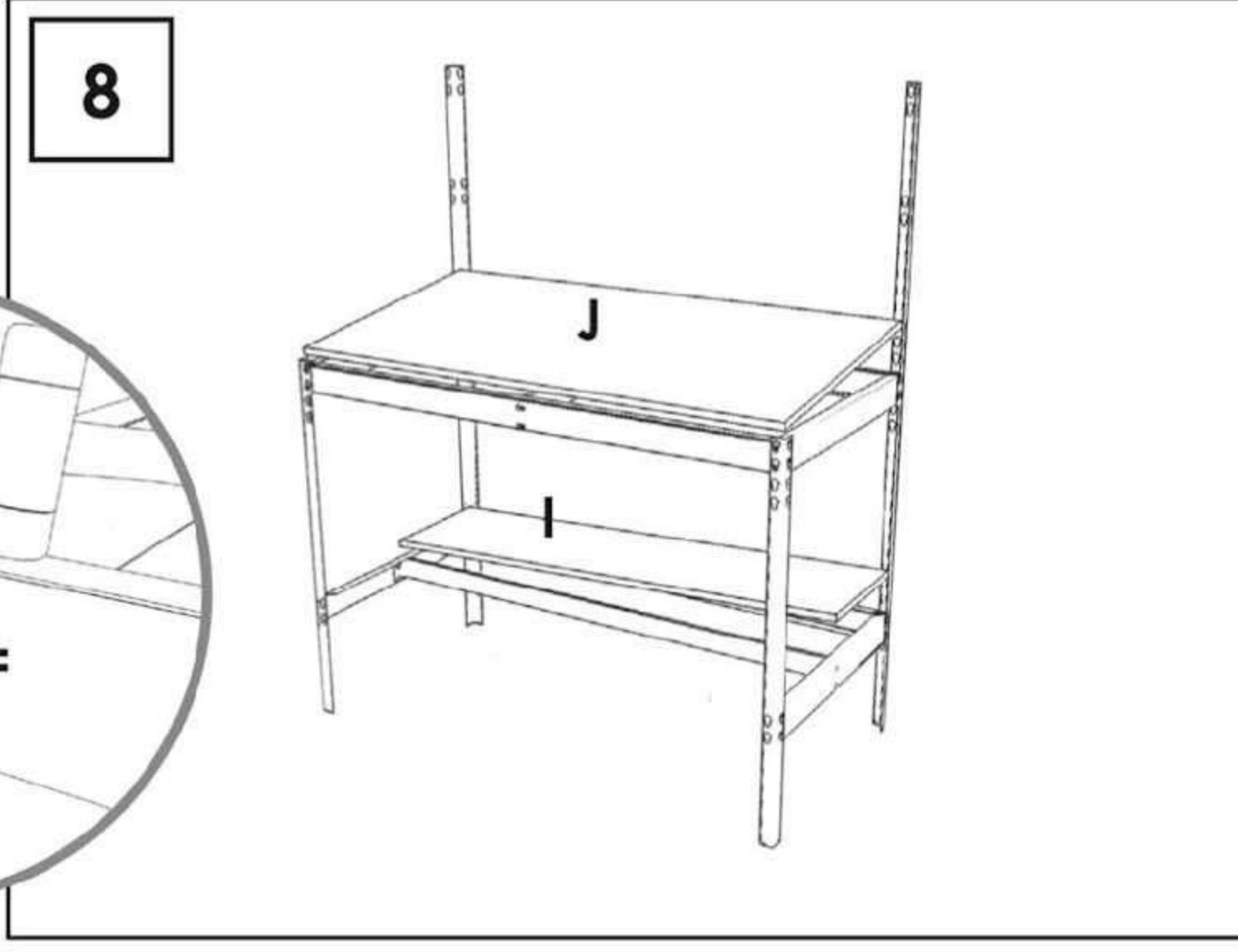
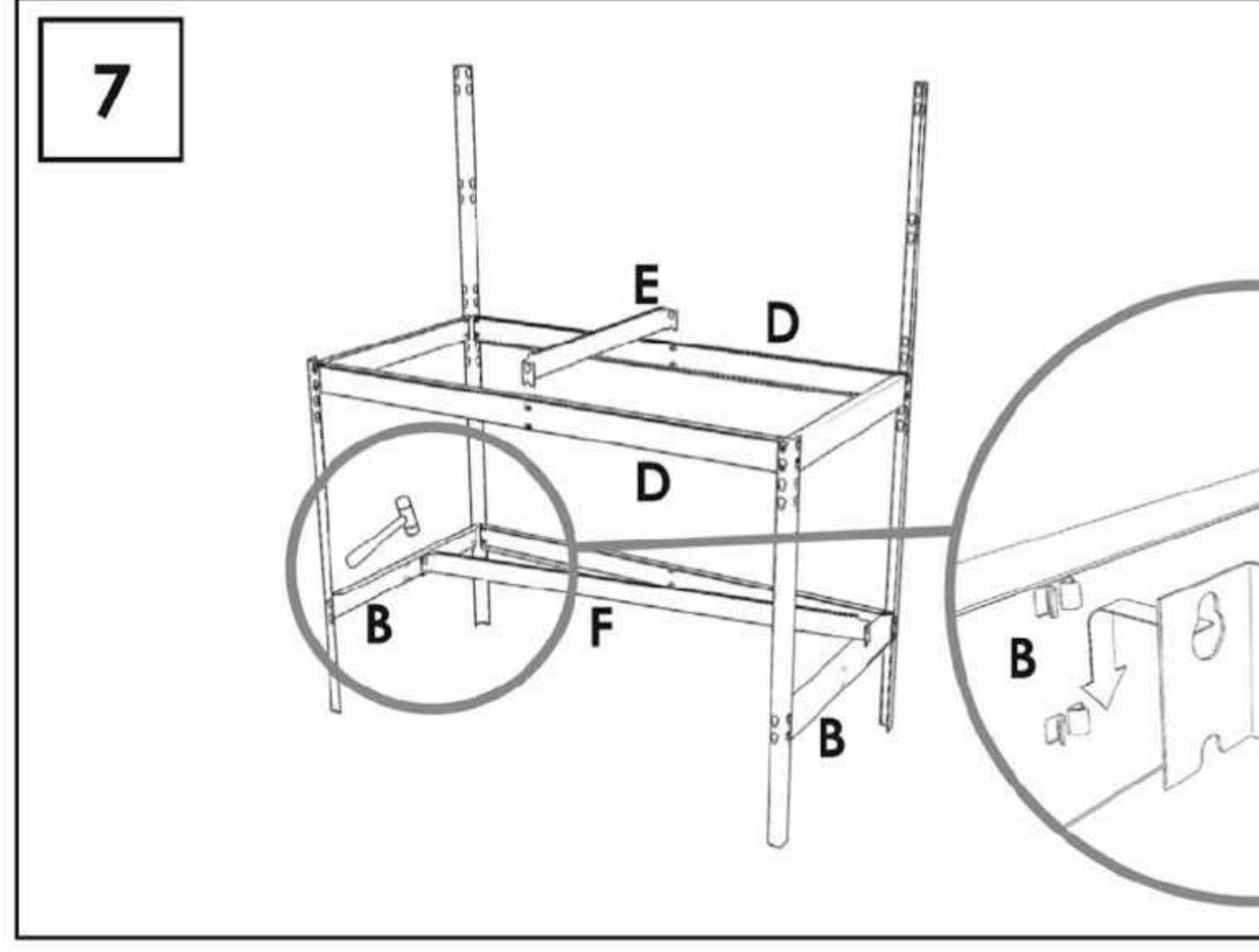
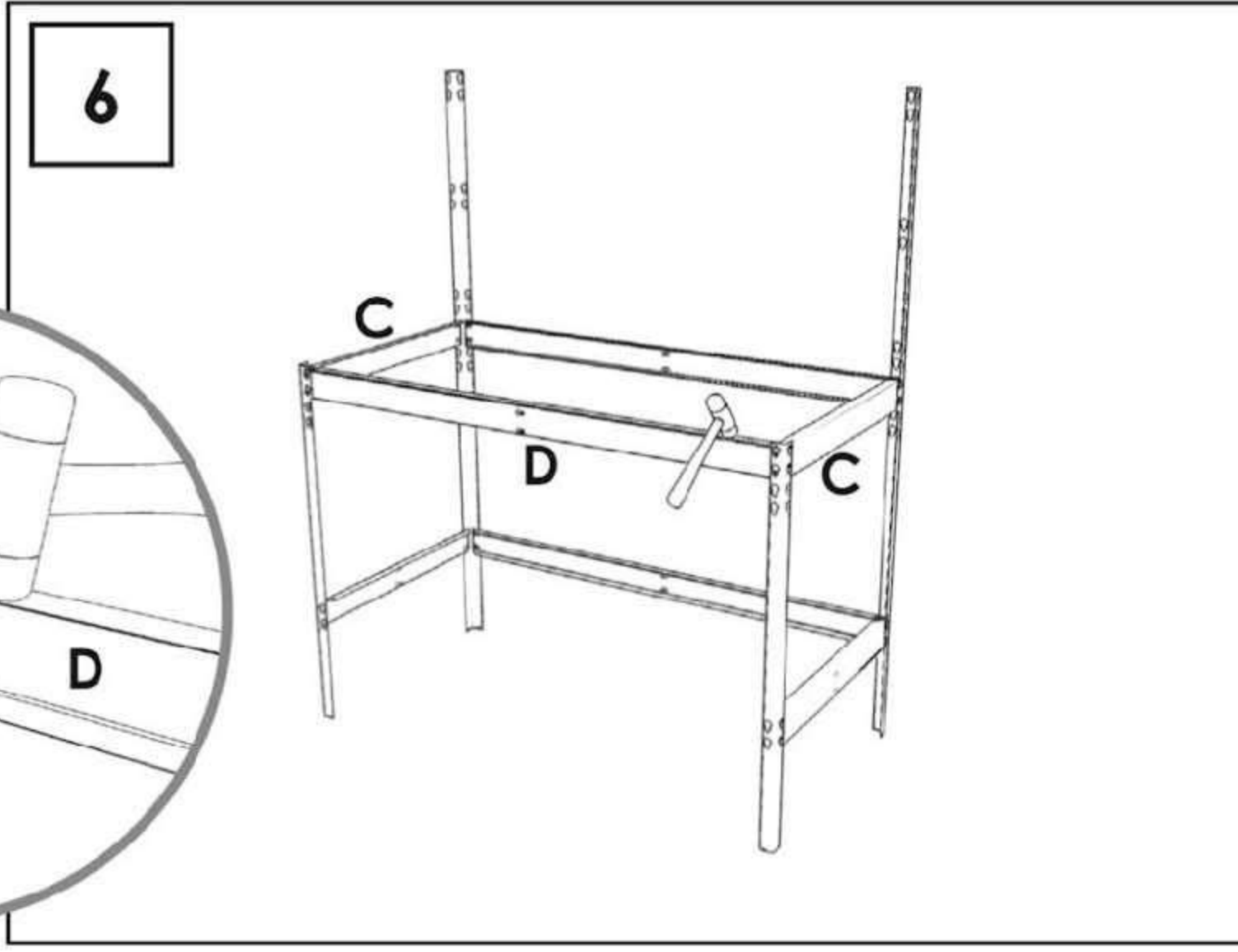
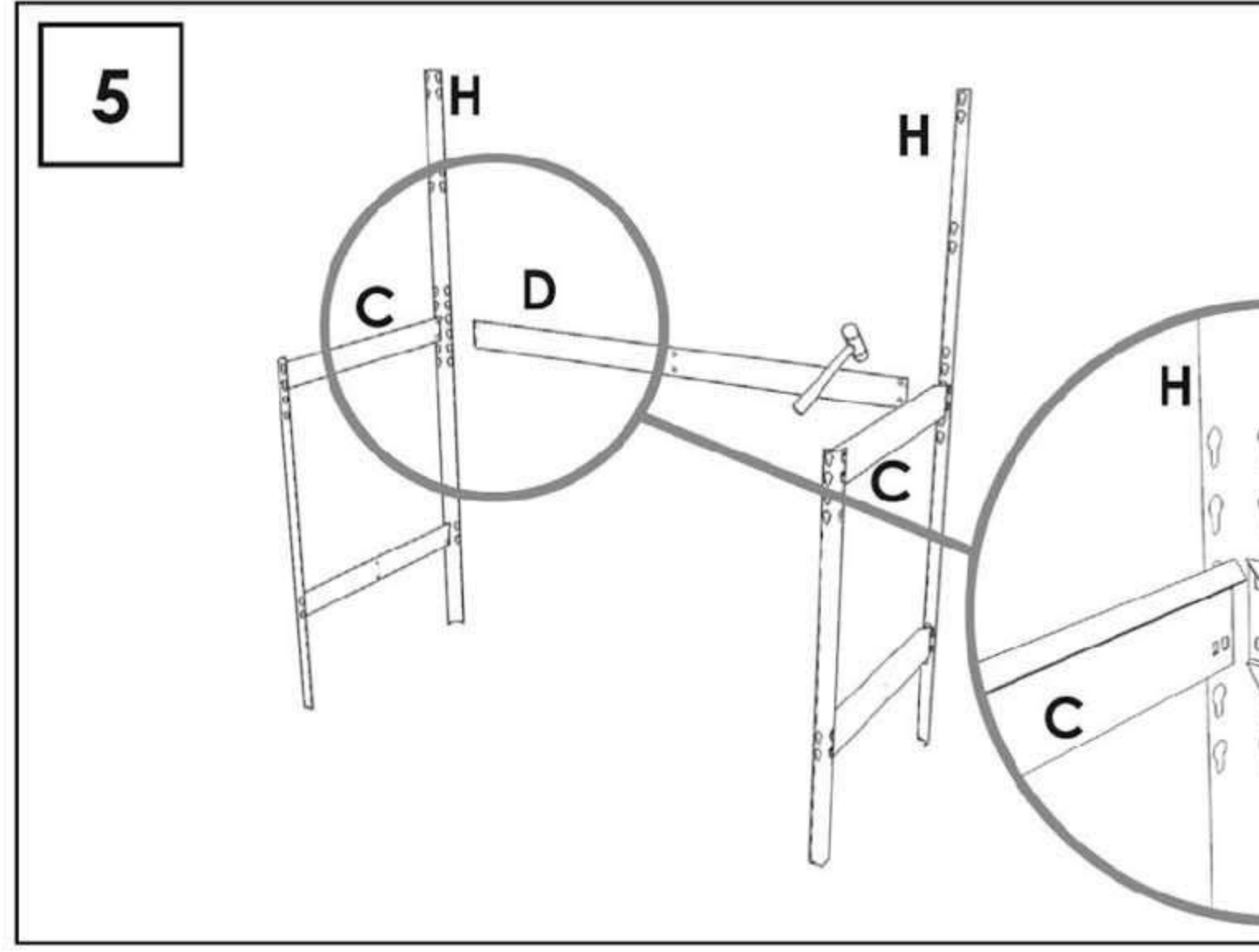
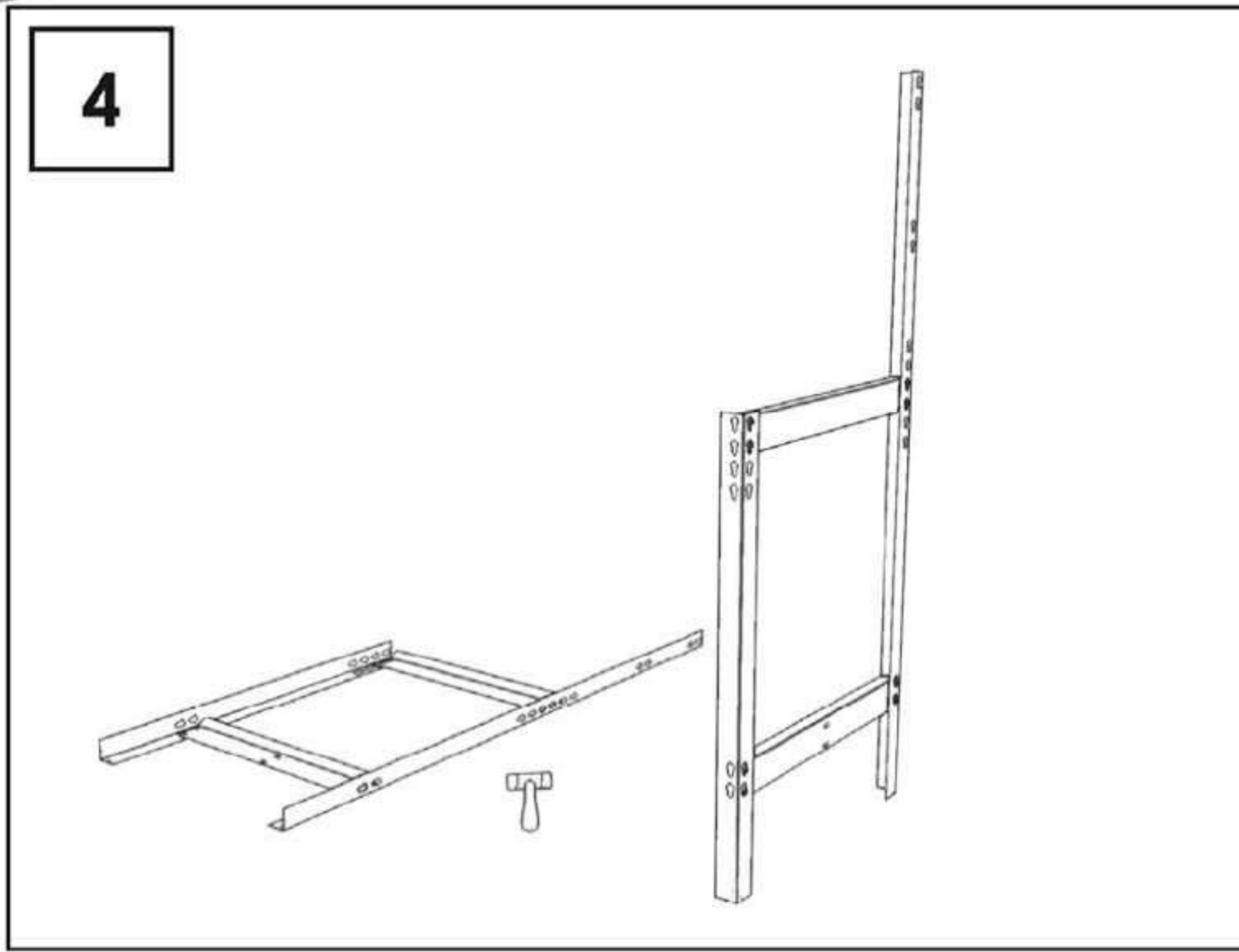
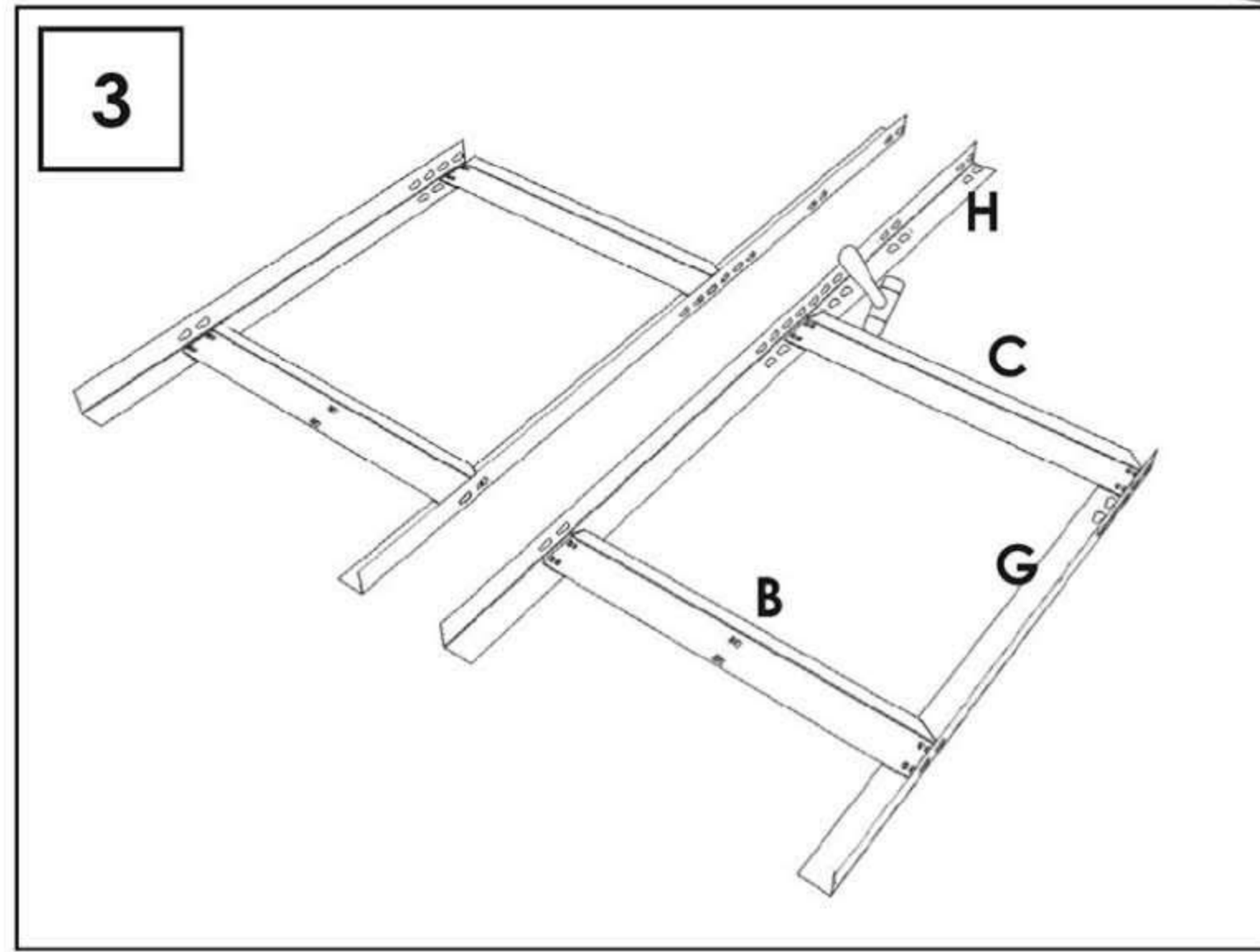
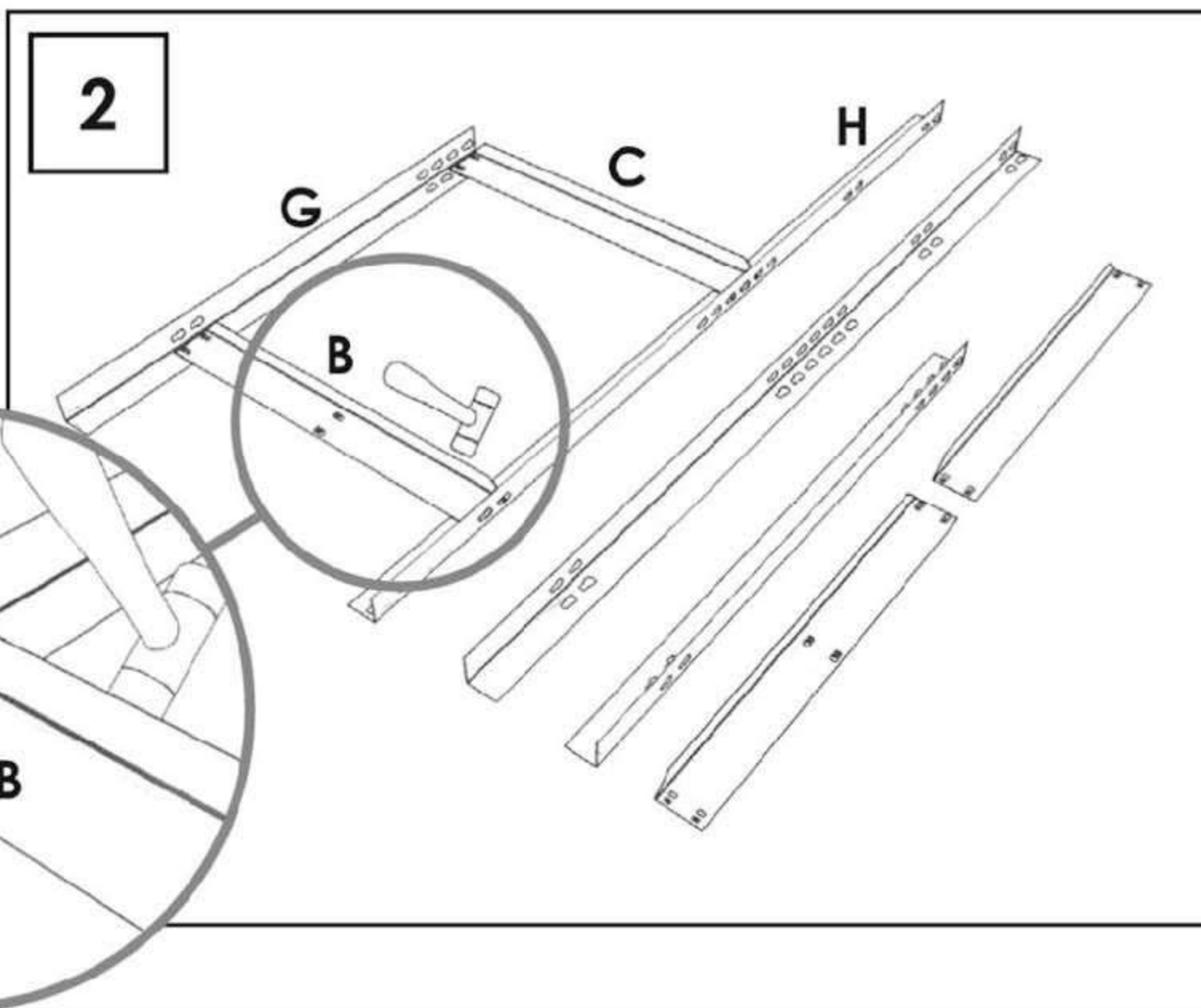
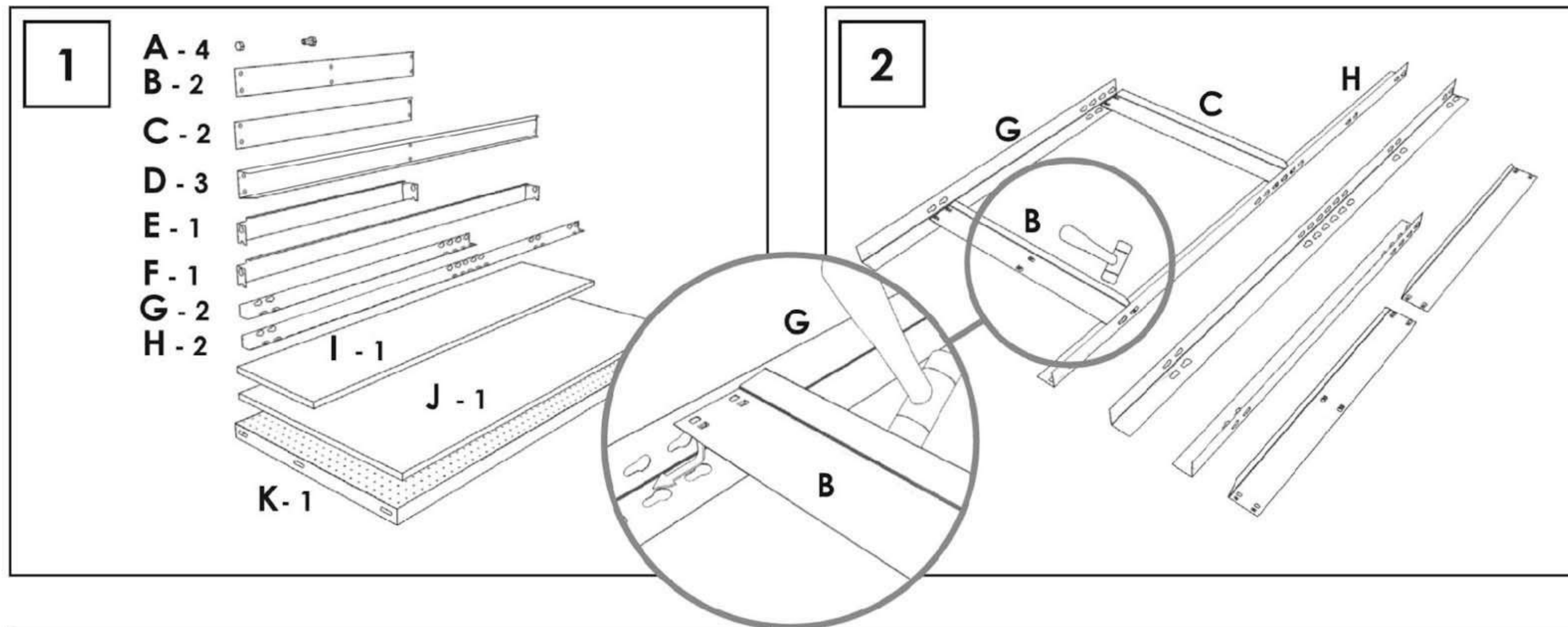
www.simonrack.com*



www.simonrack.com



INSTRUCCIONES
 INSTRUCTIONS
 ANLEITUNG
 INSTRUCTIONS



SIMONCLASSIC



SIMONCLICK



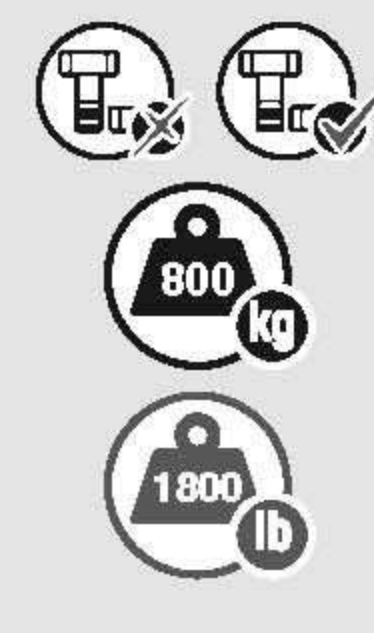
SIMONTALLER



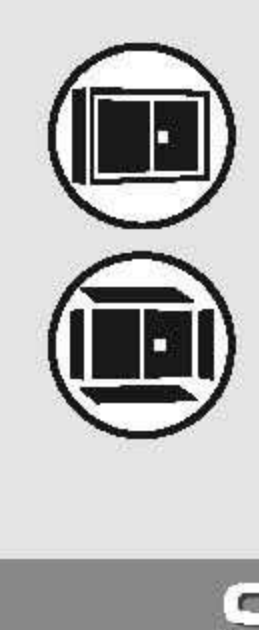
SIMONAUTO



SIMONWORK



SIMONLOCKER



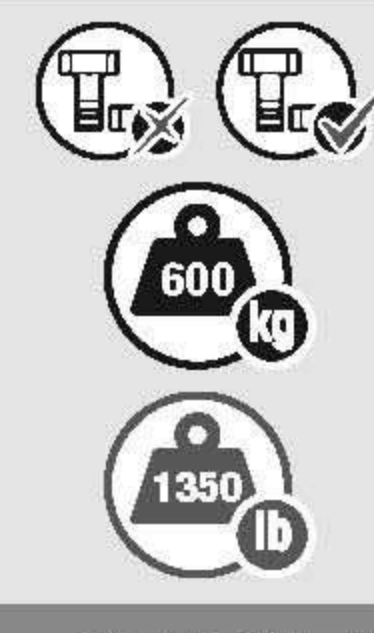
SIMONOFFICE



SIMONHOME



SIMONGARDEN



SIMONTITÁN

SIMONINOX



SIMONINDUSTRIAL



ALTILLOS Y PASILLOS ELEVADOS
PLATFORMS AND MEZZANINES
LAGERBÜHNEN • PLATES-FORMES ET MEZZANINES



* Kg / lb por bandeja con carga uniformemente repartida
Kg / lb per shelf uniformly distributed load
Kg / lb pro fach bei gleichmäßig verteilter last
Kg / lb par plateau avec charge uniformément répartie