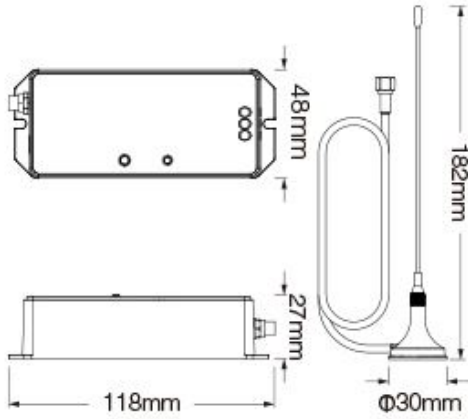


Synergy 21 LED LoRa (433MHz) Controller DMX über LoRa *Milight/Miboxer*



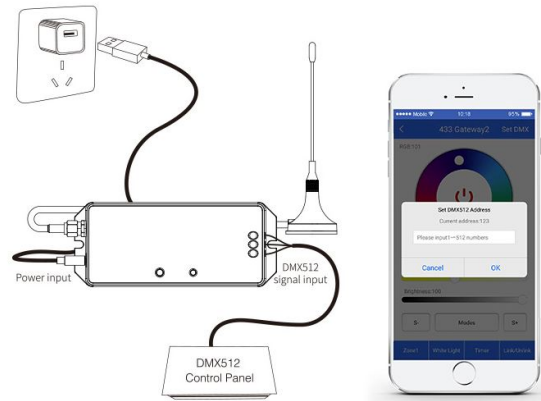
Product Name: 433MHz Gateway
Model No.: WL-433
Input: DC5V/500mA (5.5*2.1mm)
Working Temperature: -20~60°
Communication Mode: WiFi-IIEEE 802.11 b/g/n 2.4GHz
Input Signal: DMX512(1990)
RF: 433MHz (Transmitting Power: 15dBm)
Modulation Method: LoRa spread spectrum
Control Distance: 50m (Lamps into 0.5m under freshwater)
Control Distance: 1000m (Lamps on the open area)

Weitere Bilder



Support DMX512(1990) control

Set DMX512 address for gateway on Popup window via Smart Phone APP



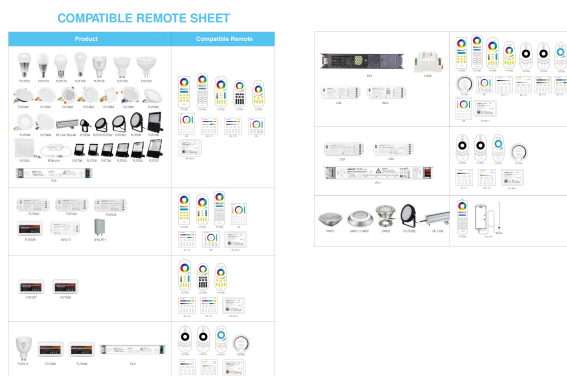
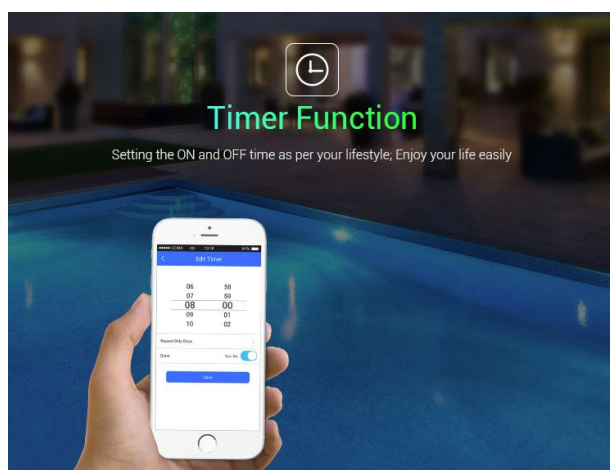
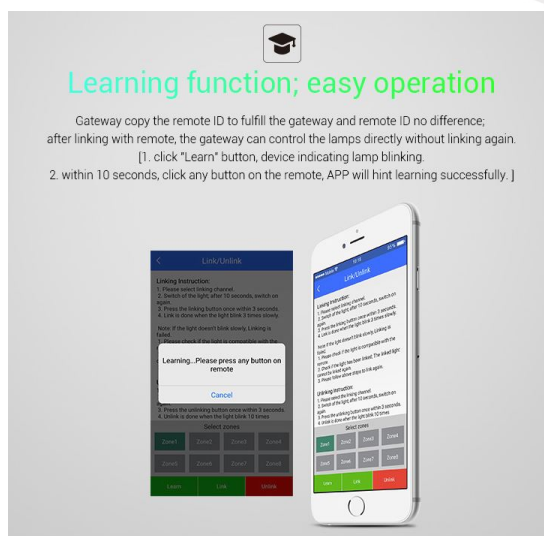
Compatible with MiBoxer 433MHz series products



Smart Phone APP Control at any time and place

3G/4G controlling by Smart Phone at any time and place





Zubehör

Art.-Nr.	Name
178057	Synergy 21 LED LoRa (433MHZ) Poolleuchte 15W RGB+CCT *Milight/Miboxer*
178058	Synergy 21 LED LoRa (433MHZ) Controller DMX über LoRa *Milight/Miboxer*
178059	Synergy 21 LED LoRa (433MHZ) Poolleuchte 27W RGB+CCT *Milight/Miboxer*
178060	Synergy 21 LED LoRa (433MHZ) Unterwasserleuchte 9W RGB+CCT *Milight/Miboxer*
178061	Synergy 21 LED LoRa (433MHZ) PAR56 Pool Light 27W RGB+CCT *Milight/Miboxer*
178062	Synergy 21 LED LoRa (433MHZ) Fernbedienung*Milight/Miboxer*

Art.-Nr.	Name
178154	Synergy 21 LED LoRa (433MHZ) Garten Lampe 25W RGB-WW mit Funk IP66 230V *Milight/Miboxer*