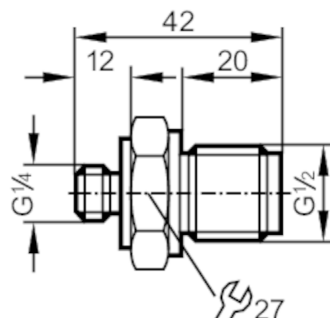


# E30050



## Screw-in adapter for process sensors

ADAPT KPL/PJ4/X/G1/4A / /



Application	
Pressure rating	[bar] 200
Tests / approvals	
Pressure Equipment Directive	A possible classification to PED depends on the application and has to be carried out by the user / operator.
Safety instructions	The compatibility between medium and product material has to be checked in all applications.
Mechanical data	
Weight	[g] 102.7
Materials	stainless steel (1.4305 / 303); Sealing: FKM
Sensor connection	G 1/4
Process connection	G 1/2
Remarks	
Pack quantity	1 pcs.