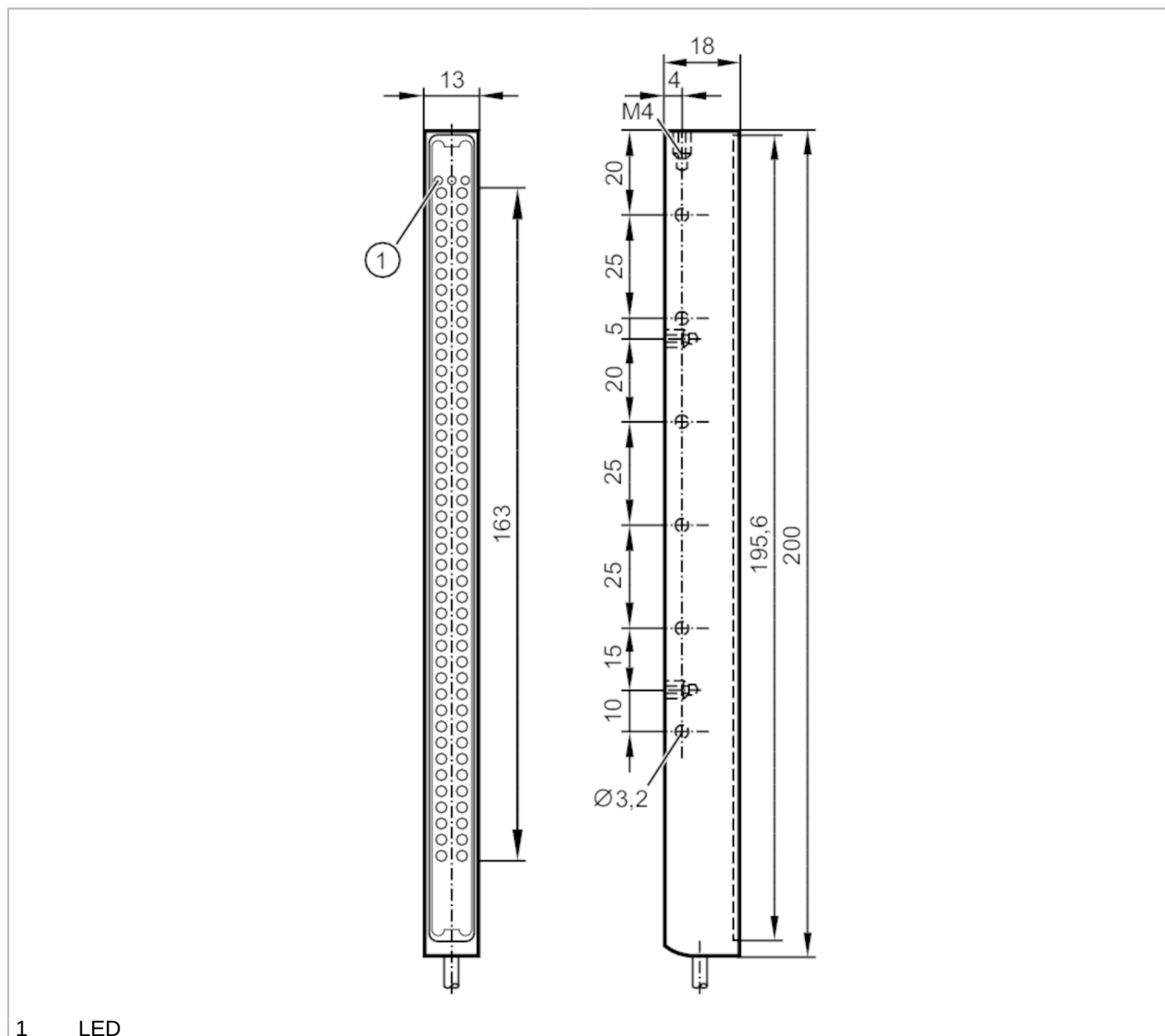


O2D924



External illumination

BAR LIGHT 10x150 RT/0,3M/US



1 LED



Product characteristics

Type of light	red light
Dimensions [mm]	200 x 13 x 18

Application

Illuminated field [mm]	10 x 150
Design	bars
Type of operation	high light intensity (pulsed, permanent operation with cooling only); normal light intensity (permanent operation possible)

O2D924



External illumination

BAR LIGHT 10x150 RT/0,3M/US

Electrical data		
Operating voltage [V]	24 DC	
Current consumption [mA]	operating mode "permanent operation": 460; operating mode "high light intensity": 700	
Type of light	red light	
Wave length [nm]	617	
Inputs		
Trigger	24 V PNP	
Operating conditions		
Ambient temperature [°C]	-10...55	
Storage temperature [°C]	-25...75	
Protection	IP 65	
Overheat protection	yes; (deactivation at 65...75 °C)	
Tests / approvals		
Photobiological safety	exempt group; (DIN EN 62471:2008)	
Mechanical data		
Weight [g]	216.5	
Dimensions [mm]	200 x 13 x 18	
Materials	aluminium black anodised	
Lens material	glass	
Displays / operating elements		
Display	illumination status	1 x LED, yellow
	operation	1 x LED, green
	excess temperature	1 x LED, red
Remarks		
Pack quantity	1 pcs.	
Electrical connection		
Cable: 0.3 m, PUR, black; 4 x 0.34 mm ²		
Connector: 1 x M12		

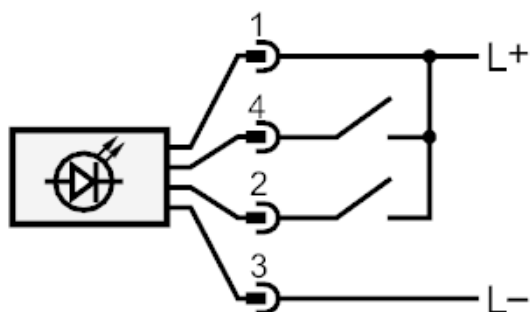
O2D924



External illumination

BAR LIGHT 10x150 RT/0,3M/US

Connection



- 4 trigger
- 2 operating mode "high light intensity"