

OY951S



Safety light grids

OYA0510-02-4-60-P-1

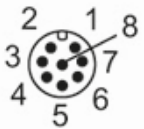
| Product characteristics | | |
|--|------|--|
| Type of light | | infrared light |
| Dimensions | [mm] | 736 x 50 x 60 |
| Application | | |
| Protective function | | access prevention body protection |
| Electrical data | | |
| Operating voltage tolerance | [%] | 20 |
| Operating voltage | [V] | 24 DC |
| Protection class | | III |
| Reverse polarity protection | | yes |
| Power-on delay time | [s] | < 10 |
| Type of light | | infrared light |
| Wave length | [nm] | 950 |
| Receiver | | |
| Current consumption | [mA] | 250 |
| Transmitter | | |
| Current consumption | [mA] | 125 |
| Outputs | | |
| Electrical design | | PNP |
| Number of OSSD outputs | | 2 |
| Max. current load per OSSD output | [mA] | 500; (24 V) |
| Short-circuit protection | | yes |
| Detection zone | | |
| Protected area height | [mm] | 510 |
| Number of beams | | 2 |
| Protection area width (low light intensity) | [m] | 8...30 |
| Protection area width (high light intensity) | [m] | 18...60 |
| Response times | | |
| Response time | [ms] | 7 |
| Operating conditions | | |
| Applications | | class C to EN 60654-1 weatherproof application |
| Ambient temperature | [°C] | -10...55 |
| Max. relative air humidity | [%] | 95 |
| Protection | | IP 65 |
| Tests / approvals | | |
| EMC | | IEC 61496-1 |
| Shock resistance | | IEC 61496-1 |
| Vibration resistance | | IEC 61496-1 |

OY951S



Safety light grids

OYA0510-02-4-60-P-1

| Safety classification | | |
|---|---|------------|
| ESPE type (IEC 61496-1) | 4 | |
| ISO 13849-1 | category 4, PL e | |
| IEC 61508 | SIL 3 | |
| IEC 62061 | SIL cl 3 | |
| Mission time TM [h] | 175200 | |
| Safety-related reliability PFHD [1/h] | 7.5E-09 | |
| Mechanical data | | |
| Weight [g] | 5150 | |
| Dimensions [mm] | 736 x 50 x 60 | |
| Materials | housing: aluminium; front lens: PC | |
| Length L [mm] | 736 | |
| Displays / operating elements | | |
| Display | transmitter | 4 x LED |
| | receiver | 6 x LED |
| | receiver | LC display |
| Accessories | | |
| Accessories (supplied) | mounting bracket: 4 slot nuts: 4 | |
| Remarks | | |
| Notes | For 8-pole sockets the core colours are not standardised.; Please note the wiring of the sensor and the sockets (see data sheet). | |
| Pack quantity | 1 pcs. | |
| Electrical connection - receiver | | |
| Connector: 1 x M12; Maximum cable length: 100 m; for wire cross-section 1 mm ² | | |
|  | | |

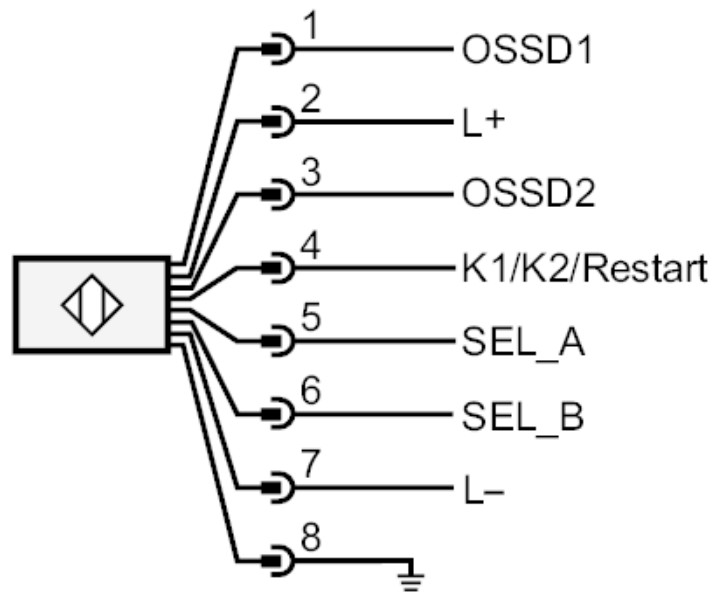
OY951S



Safety light grids

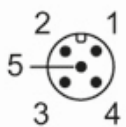
OYA0510-02-4-60-P-1

Connection



Electrical connection - transmitter

Connector: 1 x M12



OY951S



Safety light grids

OYA0510-02-4-60-P-1

Connection

