

## MODLINK MSDD DBL FRAME METAL

Black

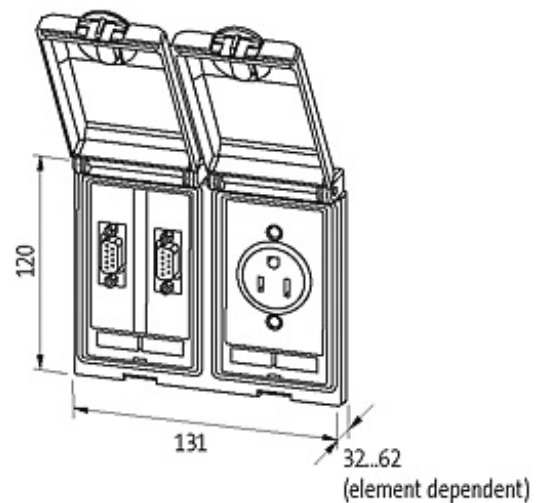
Frame: metal, black KTL

Lid: metal, black KTL

KTL stands for “cataphoretic immersion painting” and ensures that the product is given long-lasting protection from scratching and corrosion

### [Link to Product](#)

#### Illustration



Product may differ from Image

#### Approvals



### Frame

|   |   |
|---|---|
| suitable for mounting with wall thickness | 1...5 mm  |
| Protection                                | IP65  |
| Housing                                   | Zinc die-casting, KTL coated                    |
| Dimensions H x W x D                      | 120x130x35                                      |
| Temperature range                         | -10...+60 °C (storage temperature -25...+60 °C) |

### General data

|                      |               |
|----------------------|---------------|
| Dimensions H x W x D | 120x130x35 mm |
|----------------------|---------------|

### Commercial data

|                        |          |
|------------------------|----------|
| country of origin      | CZ       |
| customs tariff number  | 85389099 |
| minimum order quantity | 1        |