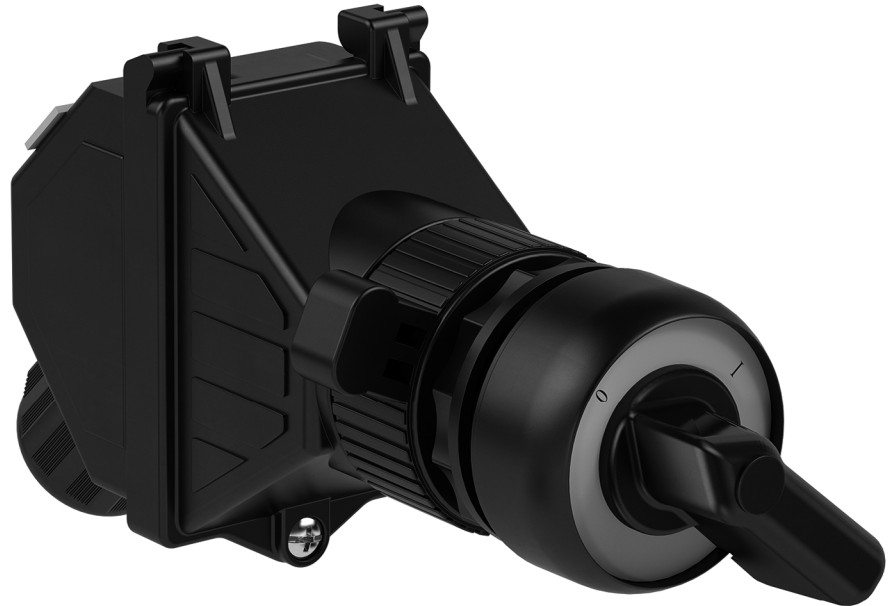


Features

- Small control switch, 2 position with left OFF - 2x NO - labeling '0 - I'
- Ex de and Ex tb certified
- Full equipment certified
- Polyamide housing for panel mount
- Installation in Zone 1, Zone 2, Zone 21 and Zone 22
- Cable Gland M20 integrated in protective cover
- Degree of protection IP66

Assembly**Technical data****Electrical specifications**

Operating voltage	250 V max.
Operating current	16 A max.
Terminal capacity	2x 2.5 mm ²
Terminal torque	0.8 Nm
Function	control switch, small
Color	black
Contact configuration	2x NO
Switching configuration	2 position changeover with left OFF
Usage category	AC12 - 12 ... 250 V AC - 16 A AC15 - 12 ... 250 V AC - 10 A DC13 - 12 ... 110 V DC - 1 A DC13 - 12 ... 24 V DC - 1A
Number of poles	2
Operator action	engage - engage
Labeling	0 - I

Mechanical specifications

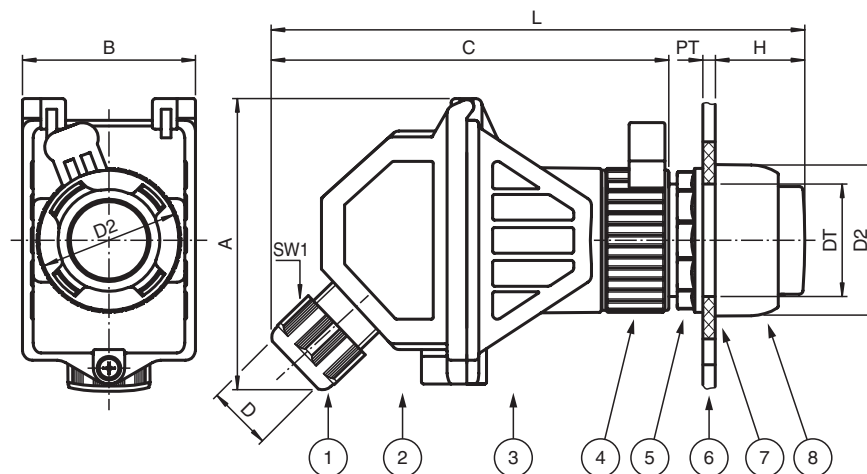
Cable type	non-armored cables
Clamping range	5.5 ... 13 mm (D)
Covering	Protective cover fully detachable
Cover fixing	Phillips head screw
Degree of protection	IP66
Cable entry	
Number of cable entries	1x M20 cable gland in protective cover
Material	
Housing	Polyamide (PA)
Finish	inherent color black

Release date 2017-03-13 16:57 Date of issue 2017-03-13 297355_eng.xml

Refer to "General Notes Relating to Pepperl+Fuchs Product Information".

Seal	silicone
Washer gasket	silicone
Mass	150 g max.
Dimensions	
Height	77 mm (A)
Width	44 mm (B)
Depth	105 mm (C)
Actuator head diameter	39 mm (D2)
Panel wall thickness	1 ... 6 mm (PT)
Diameter thru-hole	30.6 mm (DT)
Length outside enclosure	30.6 mm (H)
Width across flats	24 mm (SW1)
Total length	143.1 mm (L)
Tightening torque	
Nut torque at enclosure	2 Nm (SW1)
Mounting	
	via actuator head
Ambient conditions	
Ambient temperature	-40 ... 50 °C (-40 ... 122 °F)
Data for application in connection with hazardous areas	
EU-Type Examination Certificate	CML 16ATEX3106X
Marking	⊕ II 2 GD Ex de IIC T6 Gb Ex tb IIIC T80 °C Db
International approvals	
IECEX approval	IECEX CML 16.0046X
Conformity	
Degree of protection	EN 60529
General information	
Supplementary information	EC-Type Examination Certificate, Statement of Conformity, Declaration of Conformity, Attestation of Conformity and instructions have to be observed where applicable. For information see www.pepperl-fuchs.com .

Dimensions



Legend

1	Cable gland
2	Protective cover
3	Contact module
4	Bayonet catch
5	Locknut
6	Panel / enclosure wall
7	Flat gasket
8	Actuator head
A	Height
B	Width

C	Depth
D	Clamping range, cable sheath diameter
DT	Diameter thru-hole
D2	Outer diameter actuator head
H	Length outside enclosure
L	Total length
PT	Panel / enclosure wall thickness