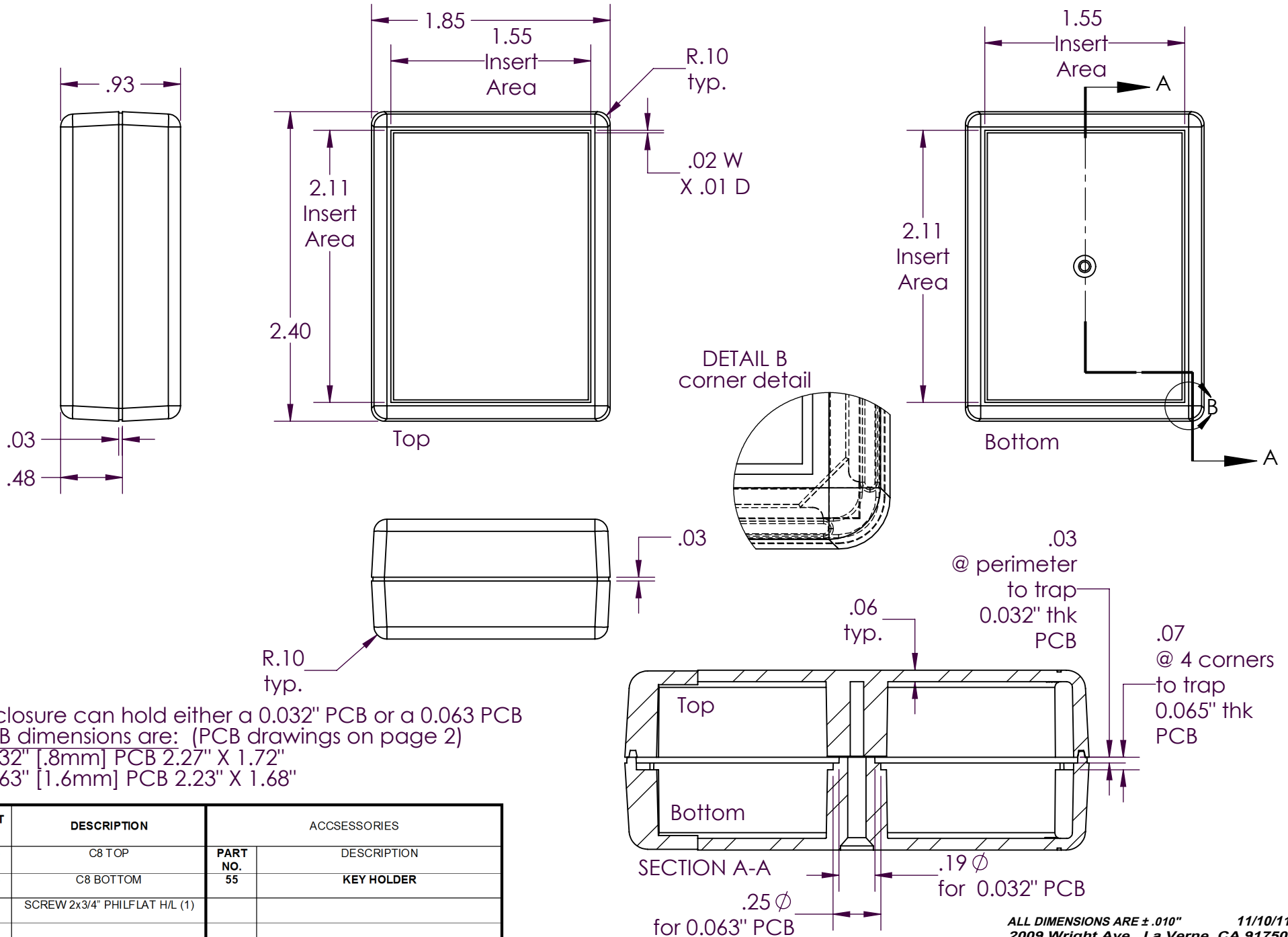


SERPAC C8

Electronic Enclosures

NOTES:

1) When machine or I-plates modifications are required, use the center of the enclosure to dimension.

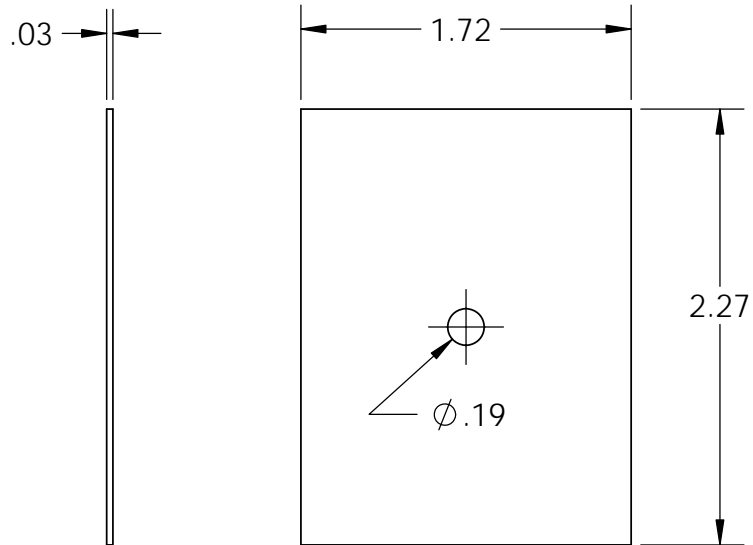


Enclosure can hold either a 0.032" PCB or a 0.063 PCB
 PCB dimensions are: (PCB drawings on page 2)
 0.032" [.8mm] PCB 2.27" X 1.72"
 0.063" [1.6mm] PCB 2.23" X 1.68"

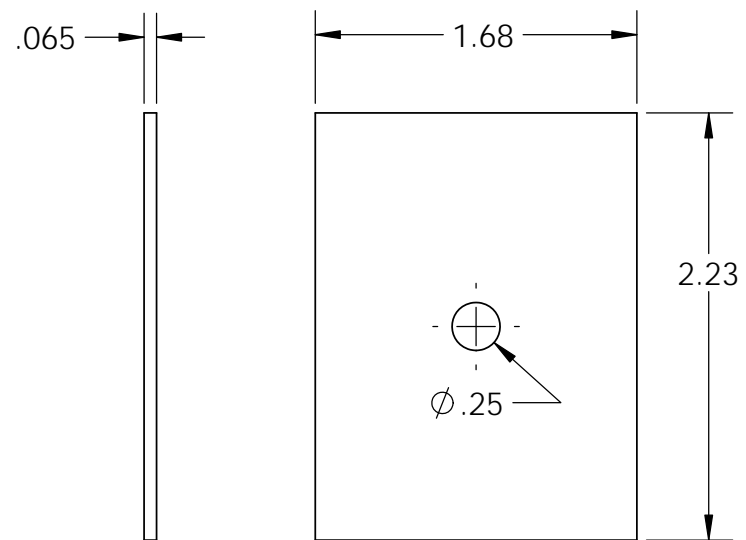
PART NO.	DESCRIPTION	ACCESSORIES	
1005	C8 TOP	PART NO.	DESCRIPTION
1006	C8 BOTTOM	55	KEY HOLDER
6007	SCREW 2x3/4" PHILFLAT H/L (1)		

SERPAC CIRCUIT BOARD C8

Electronic Enclosures



.032 board



.065 board

NOTES:
These are suggested dimensions.
Plastic parts have a ± 0.010 " manufacturing tolerance.