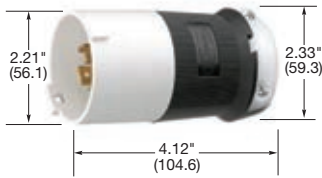
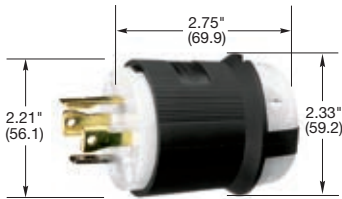




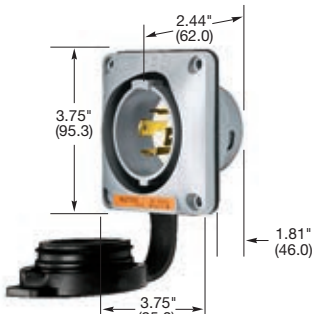
**HBL2711SW**



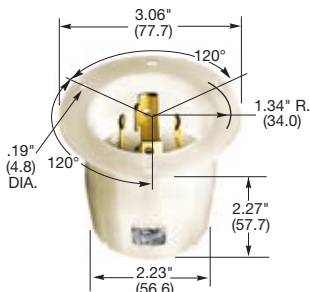
**HBL2711S**



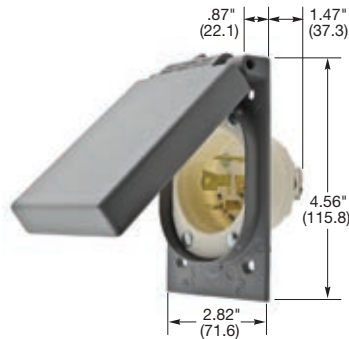
**HBL2711**



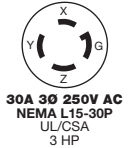
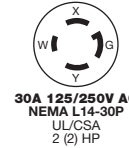
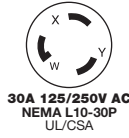
**HBL2715SW**



**HBL2715**



**HBL2715M3**



## Plugs

### Watertight Safety-Shroud®

IP66 SUITABILITY    UL Type 4x, 12

Description	Cord Dia.	Catalog Number
Black Valox® housing, white Valox® clamps.	.350"-1.150" (9-29)	- <b>HBL2711SW</b> <b>HBL2721SW</b>

### Safety-Shroud®

IP20 SUITABILITY

Description	Cord Dia.	Catalog Number
Black and white nylon body, white Valox® shroud. Can be used with the Insulgrip Connector Bodies.	.350"-1.150" (9-29)	- <b>HBL2711S</b> <b>HBL2721S</b>

Note: See page B-40 for accessories.

### Insulgrip®

IP20 SUITABILITY

Description	Cord Dia.	Catalog Number
Black and white nylon.	.350"-1.150" (9-29)	- <b>HBL2711</b> <b>HBL2721</b>
Black and white nylon, (Not shown).	.300"-.950" (7.6-24.1)	<b>HBL2661</b> -    -
Corrosion resistant, yellow nylon.	.350"-1.150" (9-29)	- <b>HBL27CM11</b> <b>HBL27CM21</b>
All black nylon.	.350"-1.150" (9-29)	- <b>HBL2711BK</b> -

Note: See page B-53 for accessories.

## Flanged Inlets

### Watertight Safety-Shroud®

IP66 SUITABILITY    UL Type 4x, 12

Description	Catalog Number
Gray Valox® housing and flange.	- <b>HBL2715SW</b> <b>HBL2725SW</b>
Reverse service, gray Valox® housing and flange (use with HBL2713SR), (Not shown).	- <b>HBL2715SWR</b> -

Note: See page B-54 for accessories.

### Insulgrip®

IP20 SUITABILITY

Description	Catalog Number
Nylon casing, back wired.	- <b>HBL2715</b> <b>HBL2725</b>
Nylon casing, back wired, (Not shown).	<b>HBL2665</b> -    -
Nylon casing, weather protective, die cast aluminum, back wired, self closing lift cover.	- <b>HBL2715M3</b> -

Note: See page B-52 for accessories.

See pages B-69 and B-70 for technical information on Twist-Lock and Watertight Safety-Shroud devices.



**HBLMITL** - For use with Watertight Safety-Shroud receptacles and reverse service inlet, see page B-39.