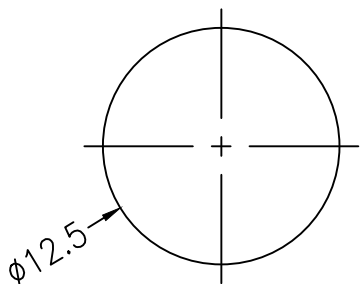
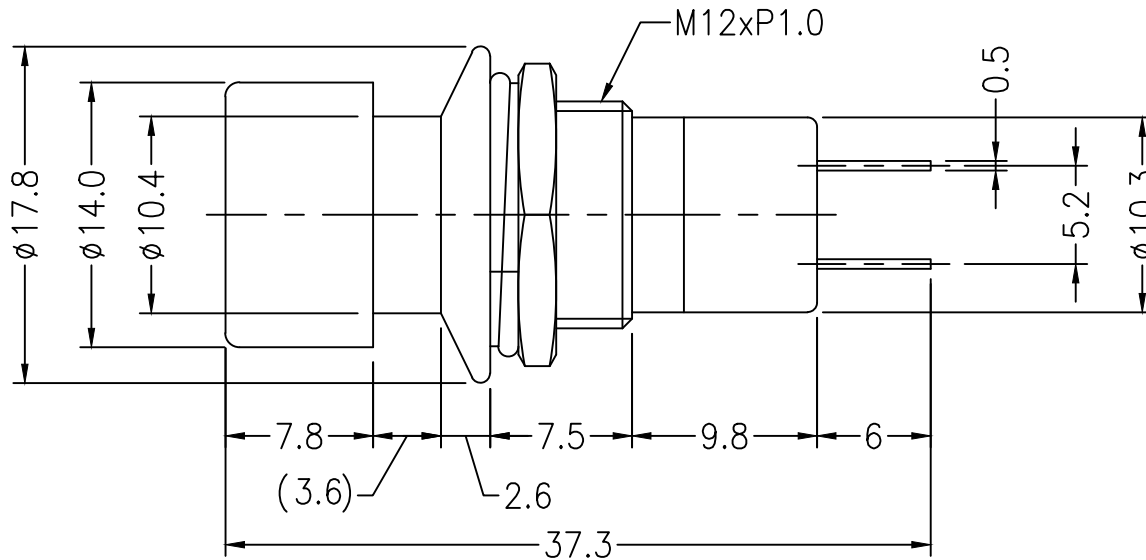
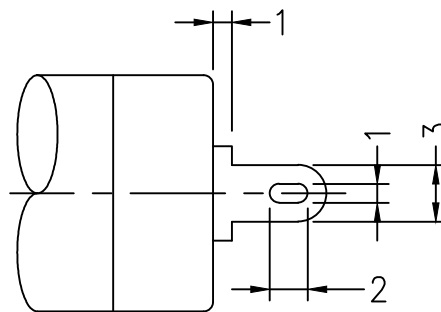


CUSTOMER	MCM	FILE NO.	26-720,725	THIS DRAWING AND SPECIFICATIONS, HEREIN ARE THE CONFIDENTIAL PROPERTY OF SAMAR AND SHALL NOT BE REPRODUCED OR COPIED OR DISCLOSED IN WHOLE OR IN PART WITHOUT WRITTEN PERMISSION.	REV.	DESCRIPTION	DRAWN / DATE	APPROVED / DATE
					0	INITIAL RELEASE	YANG 12/17/2002	



Panel Thickness
2.5mm Max.

TOERANCE = ±0.2



P/N	COLOR
26-720	RED
26-725	BALCK

SPECIFICATION:

Rating : AC 125V 3A

Contact R. : 50mΩ Max.

Insulation R. : DC 500V 100MΩ Min.

Dielectric Strength : AC 1500V 1 minute

Electrical Life : 20,000 make and break cycles at full load

DIMENSIONS ARE IN mm [INCH]	TOLERANCES ARE FRACTIONS DECIMALS ANGLES	MATERIAL	SAMAR	PUSH BUTTON SWITCH 125VAC 3A	P/N	26-720,725	DRAWN	YANG	DATE	12/17/2002	
MOLD NO.	xx ±0.2 [0.008]	FINISH			PROJECT NO.						
26-720,725	xx ±0.12 [0.005]	COLOR			SCALE	1/1	SIZE		SHEET	1 OF 1	