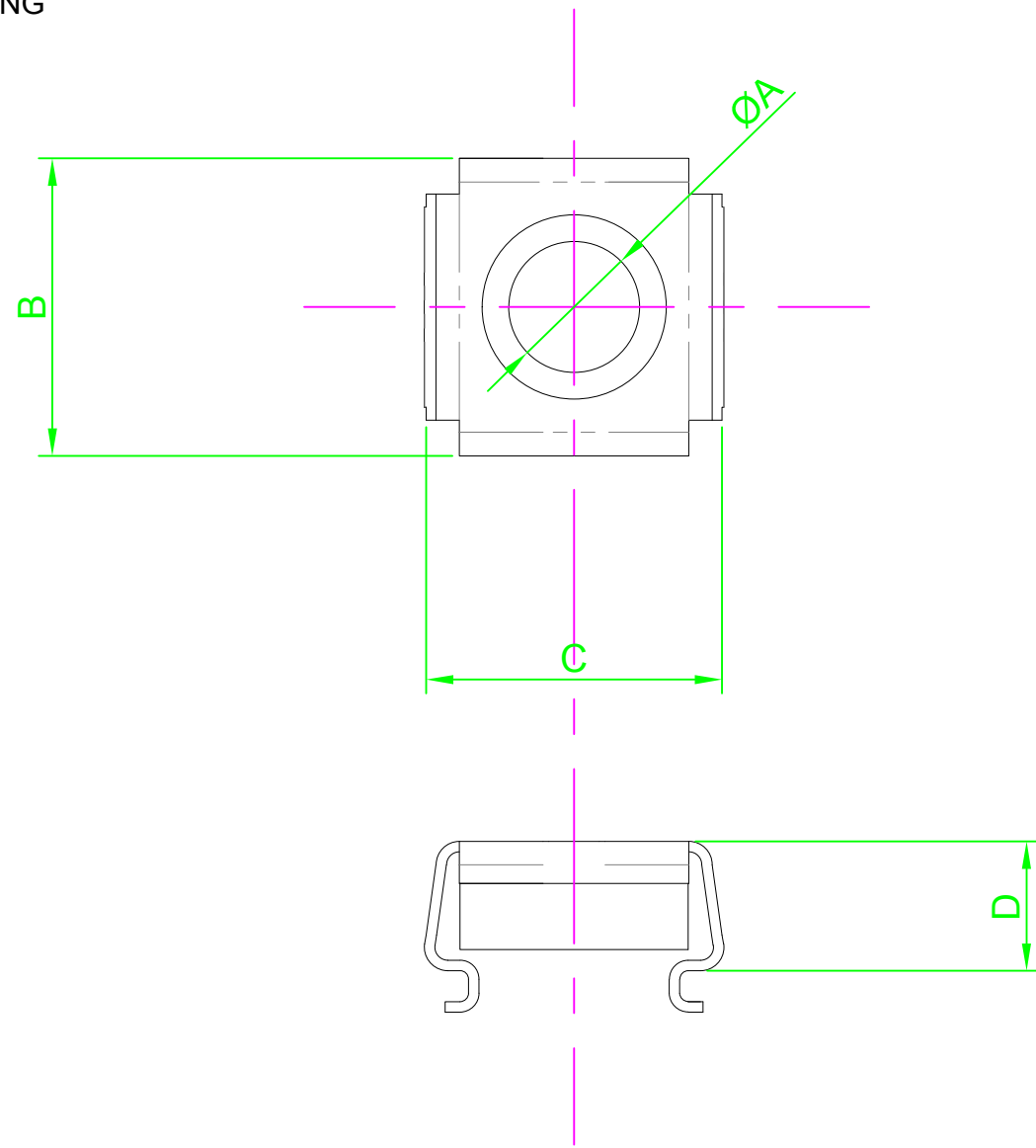
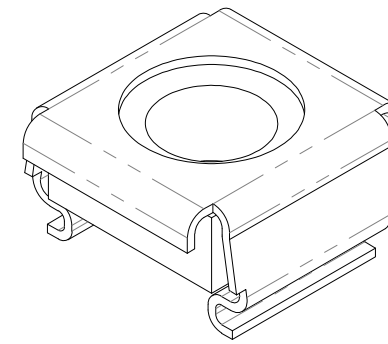
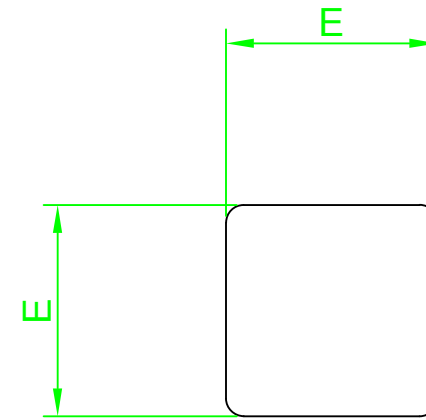


DO NOT SCALE DRAWING



Recommended Mounting Hole



REVISION

A INITIAL DRAWING 22.9.15

Part Number

ØA

B Ref

C Ref

D Ref

E Ref

Panel Thickness

M6 - CNSTST Z50 CN/6M/WF

M6-1.0

13.14

13.84

6.00

9.53

1.7 - 2.5mm

NOTES:



DESIGN RIGHT. TR FASTENINGS LTD, 2003
UNDER NO CIRCUMSTANCES MUST THIS
DRAWING BE COPIED OR DISCLOSED
WITHOUT FIRST OBTAINING WRITTEN
AUTHORITY.

UNLESS OTHERWISE SPECIFIED:
DIMENSIONS ARE IN MM (MILLIMETERS).
SURFACE FINISH:
TOLERANCES:

	NAME	DATE
DRAWN	Darryl Wilson	22.09.15
CHK'D		
APPVD		

CUSTOMER PART NUMBER:
N/A

MATERIAL:
Steel

HEAT TREATMENT:

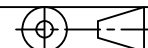
FINISH:
Zinc & Coloured Chromate Trivalent
De-Embrittle

TITLE:
Cage Nut

DRAWING NUMBER:
TR32CNSTSTZ50

A4

PROJECTION



Sheet 1 of 1