

Molded SMD Power Inductor (AEC-Q200 Grade 0)



ASPIAIG-F4030

Request Samples



Check Inventory



4.1 x 4.1 x 2.8 mm
RoHS/RoHS II Compliant
MSL Level = 1

Features

- PPAP ready and supported
- TS16949 certified production lines
- AEC-Q200 qualified (-55°C ~ +150°C)
- Shielded construction
- Soft saturation
- Low DCR, High Efficiency

Applications

- Body electronics and comfort system
- Infotainment and entertainment
- Electric vehicles
- Lighting
- Solar inverters and power
- Industrial and robotics
- Medium and high-power switch mode power supplies.

Electrical Specifications

Part Number	Inductance 0.1MHz/1.0V	Tolerance	DC Resistance		Saturation Current	Temperature Rise Current
			Max	Typ.	Max	Typ.
Units	μH	%	mΩ		A	A
Symbol	L	M	DCR		Isat	Irms
ASPIAIG-F4030-R47M-T	0.47	20	7.3	5.8	15.0	14.0
ASPIAIG-F4030-R90M-T	0.90	20	10.1	8.1	9.0	11.2
ASPIAIG-F4030-1R0M-T	1.0	20	10.1	8.1	9.2	11.0
ASPIAIG-F4030-1R2M-T	1.2	20	11.5	9.2	8.7	9.8
ASPIAIG-F4030-1R5M-T	1.5	20	13.2	10.6	7.0	9.0
ASPIAIG-F4030-2R2M-T	2.2	20	22.6	18.1	6.1	7.8
ASPIAIG-F4030-3R3M-T	3.3	20	28.6	22.9	5.3	6.6
ASPIAIG-F4030-4R7M-T	4.7	20	44.1	35.2	3.6	5.1

Test Conditions

Isat: DC current at which the inductance drops 30% from its value without current.

Irms: DC current that causes the temperature rise (ΔT , approximate 40 °C) from 25°C ambient.

Operating Temperature: -55°C ~ +150°C (including self-temperature rise)

Storage Condition: -55°C ~ +150°C (on board), -10°C ~ +40°C (with packaging) and R.H. 60 max

ASPIAIG-F4030 Series is **RoHS Compliant and Pb free**

ASPIAIG-F4030 is **AEC-Q200 Grade 0 qualified (-55°C ~ +150°C)**

Molded SMD Power Inductor (AEC-Q200 Grade 0)



ASPIAIG-F4030

Request Samples

Check Inventory

4.1 x 4.1 x 2.8 mm
RoHS/RoHS II Compliant
 MSL Level = 1

Part Identification

ASPIAIG-F4030 - -

Inductance Code

See Electrical Specification table

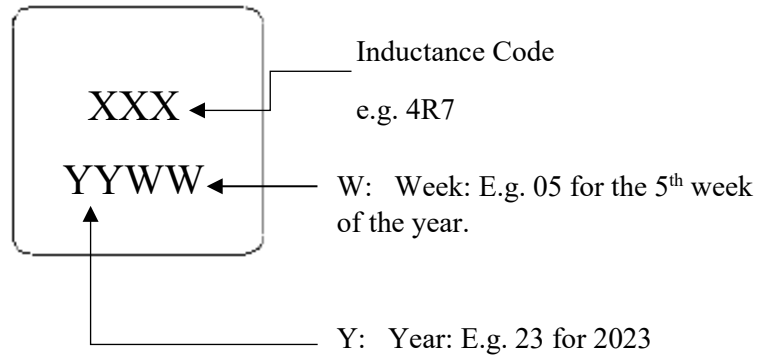
Tolerance

M = ± 20%

Packaging

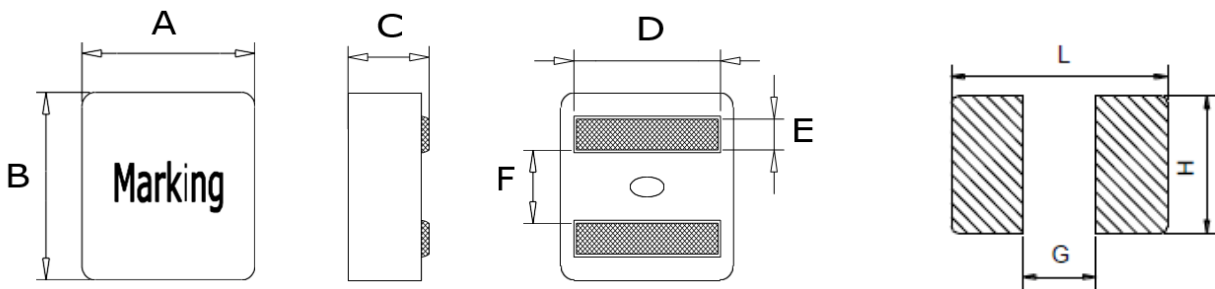
T: Tape and Reel (See Packaging)

Marking



Marking Method = Ink Marking

Mechanical Specifications



Series	A	B	C	D	E	F	L	G	H
ASPIAIG-F4030	4.1±0.25	4.1±0.25	2.8±0.2	3.4±0.3	0.88±0.3	1.7±0.3	3.4 ref	1.4 ref	3.8 ref.

Dimensions: mm



5101 Hidden Creek Ln Spicewood TX 78669
 Phone: 512-371-6159 | Fax: 512-351-8858
 For terms and conditions of sales, please visit:
www.abracon.com

REVISION: IR 04-25-23

ABRACON IS
 ISO9001-2015
 CERTIFIED

Molded SMD Power Inductor (AEC-Q200 Grade 0)



ASPIAIG-F4030

Request Samples

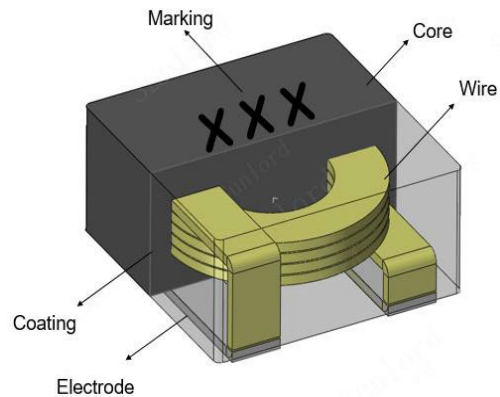


Check Inventory



4.1 x 4.1 x 2.8 mm
RoHS/RoHS II Compliant
MSL Level = 1

Materials



Components	Material
Core	Alloy Powder
Wire	Polyester Wire
Electrode	Cu/Ni/Sn
Coating	Epoxy
Marking	Ink

Molded SMD Power Inductor (AEC-Q200 Grade 0)



ASPIAIG-F4030

Request Samples

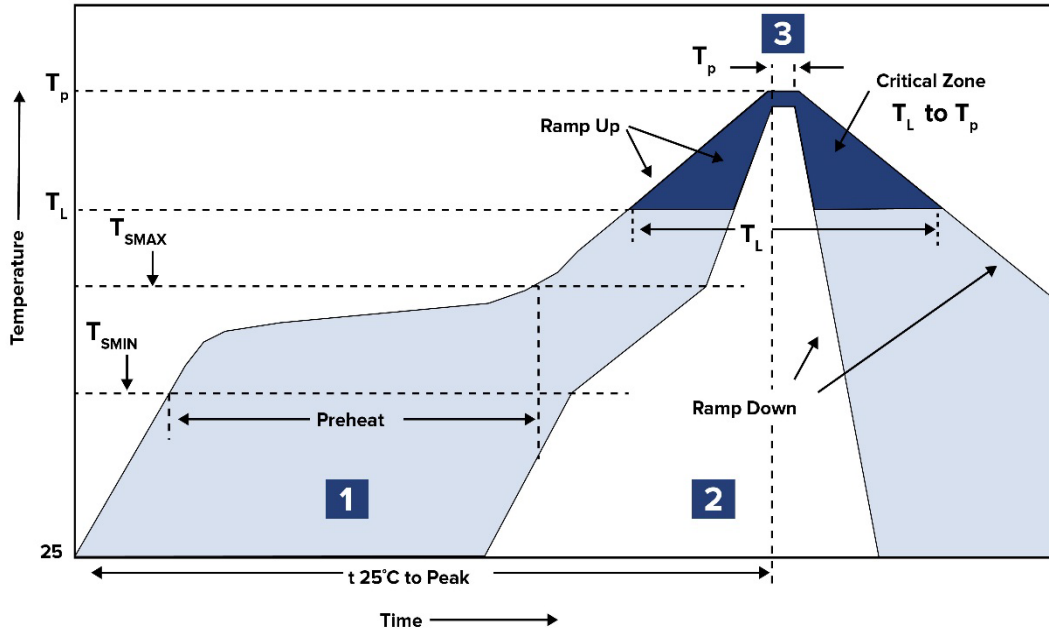


Check Inventory



4.1 x 4.1 x 2.8 mm
RoHS/RoHS II Compliant
 MSL Level = 1

Reflow Profile



Zone	Description	Temperature	Times
1	Preheat	$T_{SMIN} \sim T_{SMAX}$ 150°C ~ 200°C	60 ~ 180 sec.
2	Reflow	T_L 217°C	60 ~ 150 sec.
3	Peak heat	T_P 255°C	30 sec. MAX

Molded SMD Power Inductor (AEC-Q200 Grade 0)



ASPIAIG-F4030

Request Samples



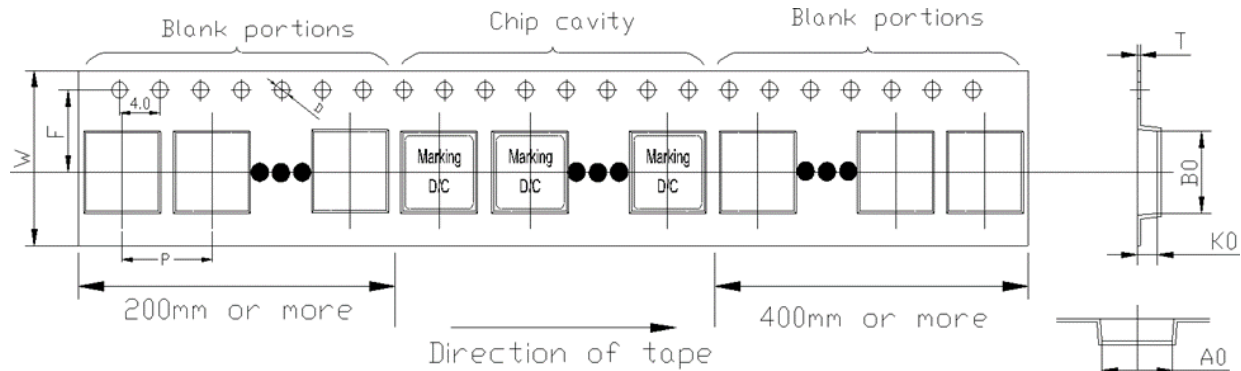
Check Inventory



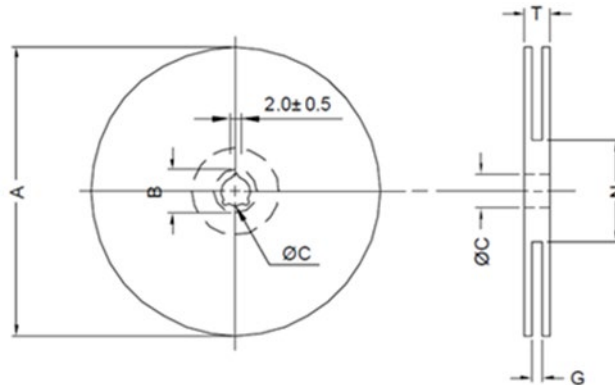
4.1 x 4.1 x 2.8 mm
RoHS/RoHS II Compliant
MSL Level = 1

Packaging

Tape & Reel: 2000 pcs/reel



A0	B0	K0	P	W	F	T	D
4.4±0.1	4.4±0.1	3.3±0.1	8±0.1	12±0.3	5.5±0.1	0.35±0.05	1.50±0.1



A	C	G	N
330.0 ± 2.0	13.0±0.5	12.8±0.2	100.0 ± 2.0

Dimensions: mm

ATTENTION: Abracon LLC's products are COTS – Commercial-Off-The-Shelf products; suitable for Commercial, Industrial and, where designated, Automotive Applications. Abracon's products are not specifically designed for Military, Aviation, Aerospace, Life-dependent Medical applications or any application requiring high reliability where component failure could result in loss of life and/or property. For applications requiring high reliability and/or presenting an extreme operating environment, written consent and authorization from Abracon LLC is required. Please contact Abracon LLC for more information.



5101 Hidden Creek Ln Spicewood TX 78669
 Phone: 512-371-6159 | Fax: 512-351-8858
 For terms and conditions of sales, please visit:
www.abracon.com

REVISION: IR 04-25-23

ABRACON IS
 ISO9001-2015
 CERTIFIED