

120mm sq.

San Ace 120

76mm thick (9CR type)



General Specifications

- Material Frame: Plastics (Flammability: UL94V-0),
Impeller: Plastics (Flammability: UL94V-1)
- Expected Life Refer to specifications (L10:Survival rate:90% at 60°C ,
rated voltage, and continuously run in a free air state)
- Lead Wire Inlet ⊕red ⊖black (Sensor) yellow (Control) brown
Outlet ⊕orange ⊖gray (Sensor) purple (Control) white
- Storage Temperature -30°C to +70°C (Non-condensing)

120×120×76mm (Mass : 670g) **9CR type**

Specifications

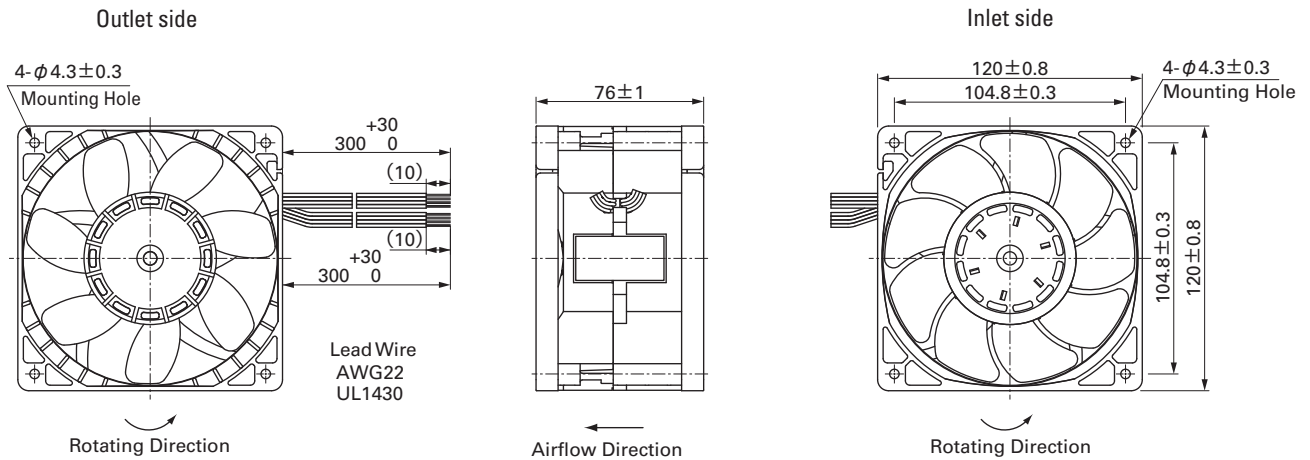
The following nos. **have PWM controls and pulse sensors.**

| Model No. | Rated Voltage [V] | Operating Voltage Range [V] | PWM duty cycle※ [%] | Rated Current [A] | Rated Input [W] | Rated Speed [min ⁻¹] | | Max. Airflow [m ³ /min] [CFM] | | Max. Static Pressure [Pa] [inchH ₂ O] | | SPL [dB(A)] | Operating Temperature [°C] | Expected Life [h] |
|---------------------|-------------------|-----------------------------|---------------------|-------------------|-----------------|----------------------------------|--------|--|-----|--|------|-------------|----------------------------|-------------------|
| | | | | | | Inlet | Outlet | | | | | | | |
| 9CR1212P0G03 | 12 | 10.8 to 13.2 | 100 | 7.2 | 86.4 | 6,200 | 3,800 | 8.5 | 300 | 480 | 1.93 | 70 | -20 to +60 | 40,000 |
| | | | 0 | | | | | | | | | | | |

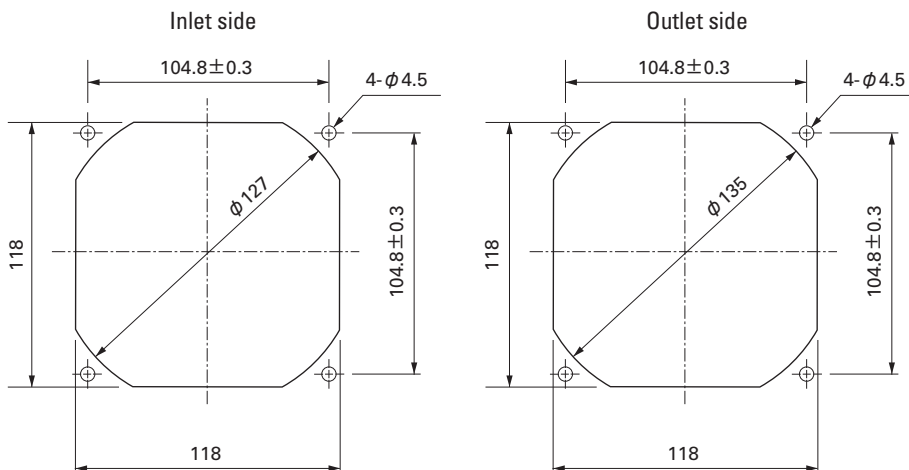
※PWM Frequency : 25kHz

Some models can also be equipped without sensors or with pulse sensors (no PWM control functions) as an option. Please refer to the index (pp. 417 to 437).

Dimensions (unit : mm)



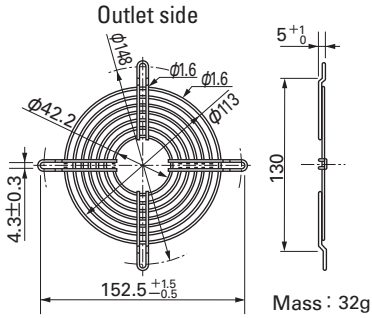
Reference Dimension of Mounting Holes and Vent Opening (unit : mm)



Options (unit : mm)

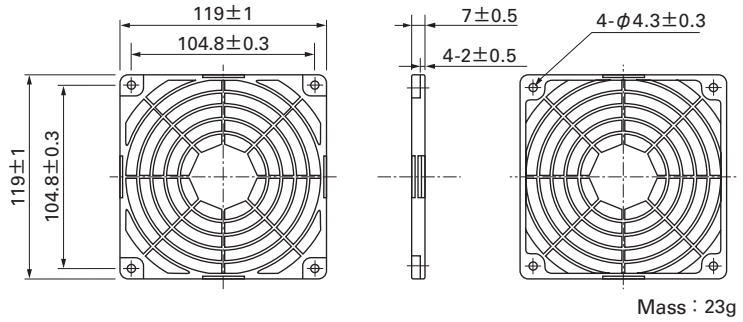
Finger Guards

Model : 109-019C Surface treatment : Nickel-chrome plating (silver)
 : 109-019H : Cation electroplating (black)



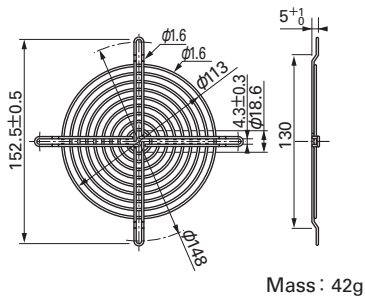
Resin Finger Guards

Model : 109-1000G



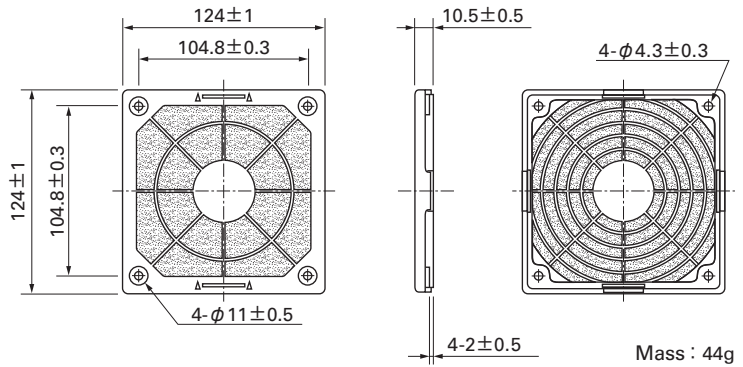
Model : 109-019E Surface treatment : Nickel-chrome plating (silver)
 : 109-019K : Cation electroplating (black)

Inlet side, Outlet side



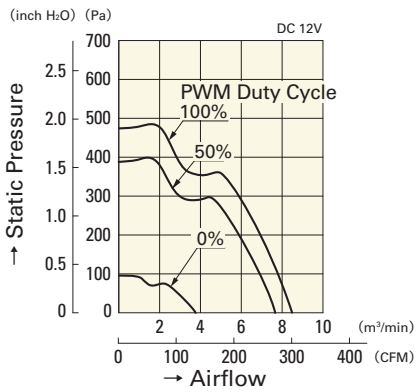
Resin Filter Kits

Model : 109-1000F13 (13PPI), 109-1000F20 (20PPI)
 : 109-1000F30 (30PPI), 109-1000F40 (40PPI)



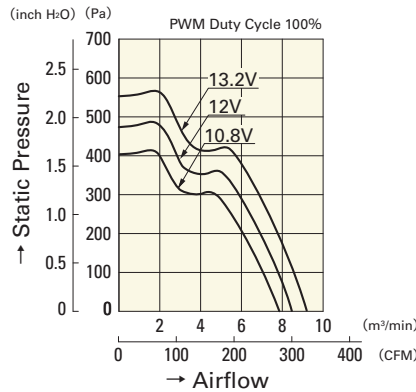
Airflow - Static Pressure Characteristics

PWM Duty Cycle



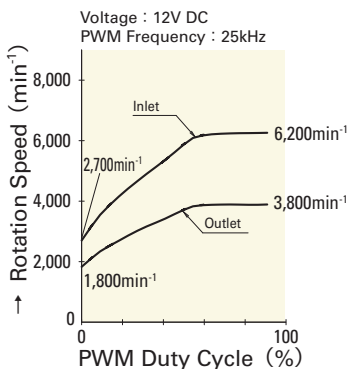
9CR1212P0G03

Operating Voltage Range



9CR1212P0G03

PWM Duty Speed Characteristics Example



9CR1212P0G03