



<b>DATA SHEET</b>	52109013
<b>SKINTOP® CLICK BLK</b>	valid from : 15.1.2016

The SKINTOP® CLICK BLK is a blind plug for fast installation wherever a panel cut-out must be closed. The snap-system enables a very fast and easy assembly. The blind plug is suitable for use in manufacturing of machines and equipment, in measuring, controlling and automation, in electronic technology, switch cabinet technology.



#### Components:

Body	Polyamide, V-2 acc. to UL 94
Pressure nut	Polyamide, glass fibre reinforced, V-2 acc. to UL 94
Flat sealing ring	Elastomer

#### Technical features:

Sizes	Ø16, Ø20, Ø25
Functional thread	Metric thread
Protection class	IP 68 - 5bar, test acc. to EN 60529
Temperature range	-20 °C up to +100 °C
Colour	RAL 7035 light-grey RAL 7001 silver-grey RAL 9005 black, UV-resistant acc. to ISO 4892-2:2006, method A

#### Approvals:



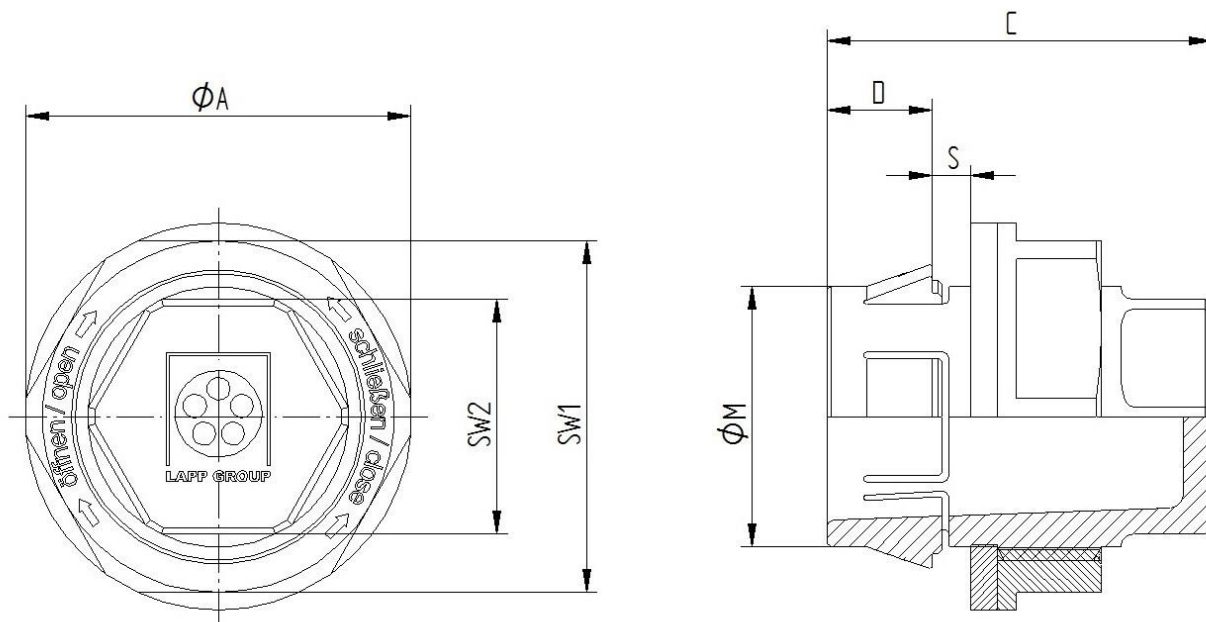
#### Norm references:



For more information please see our current catalogue.

elaborated by: PDP: M. Jurak	Document: DB52109013_3EN	page 1 von 2
---------------------------------	--------------------------	--------------

<b>DATA SHEET</b>	52109013
<b>SKINTOP® CLICK BLK</b>	valid from : 15.1.2016



Ø M [mm]	SW1 [mm]	SW2 [mm]	Ø A [mm]	C [mm]	D [mm]	S [mm]	Article No. RAL 7035	Article No. RAL 7001	Article No. RAL 9005
16 <sub>(-0.2)</sub>	22	14	24,2	28,5	8	1 - 4	52109013	52109016	52109019
20 <sub>(-0.2)</sub>	27	18	29,7	29,5	8	1 - 4	52109014	52109017	52109020
25 <sub>(-0.2)</sub>	32	22	35,2	30,5	8	1 - 4	52109015	-	52109021