

2.1mm DC Power Jack

multicompPRO

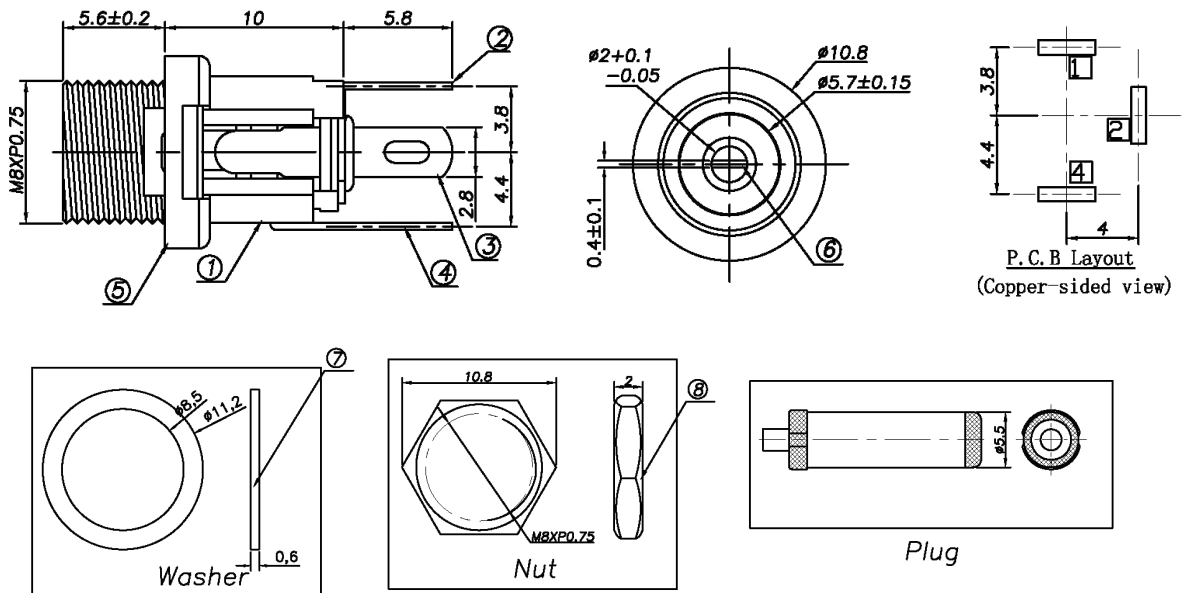
**RoHS
Compliant**



Specifications

Gender	: Jack
Current Rating	: 0.5A
Voltage Rating	: 30V
Pin Diameter	: 2.1mm
Barrel Outer Diameter	: 5.7mm
Mounting Type	: Panel Mount
Termination Type	: Solder
Contact Resistance	: $\leq 30m\Omega$
Insulation Resistance	: $\geq 100M\Omega$
Withstand Voltage	: 500V AC
Insertion & Extraction Force	: 3-30N
Life Test	: 5000 Cycles

Diagram



Dimensions : Millimetres

Material Specifications

No.	Description	Material	Plating
1	Housing	PBT	Black
2	Center Pin Terminal	H62	Cu-Sn Plating
3	Tip Spring	QSn6.5	Cu-Sn Plating
4	Shunt Terminal	H62	Cu-Sn Plating
5	Bushing	H62	Ni Plating
6	Pin	Copper	Ni Plating
7	Washer	Iron	Ni Plating
8	Nut	H62	Ni Plating

Newark.com/multicomp-pro
Farnell.com/multicomp-pro
Element14.com/multicomp-pro

multicompPRO

2.1mm DC Power Jack

multicomp PRO

Part Number Table

Description	Part Number
2.1mm DC Power Jack, 2.1mm, 0.5A, 30V, Panel	MC002825

Important Notice : This data sheet and its contents (the "Information") belong to the members of the AVNET group of companies (the "Group") or are licensed to it. No licence is granted for the use of it other than for information purposes in connection with the products to which it relates. No licence of any intellectual property rights is granted. The Information is subject to change without notice and replaces all data sheets previously supplied. The Information supplied is believed to be accurate but the Group assumes no responsibility for its accuracy or completeness, any error in or omission from it or for any use made of it. Users of this data sheet should check for themselves the Information and the suitability of the products for their purpose and not make any assumptions based on information included or omitted. Liability for loss or damage resulting from any reliance on the Information or use of it (including liability resulting from negligence or where the Group was aware of the possibility of such loss or damage arising) is excluded. This will not operate to limit or restrict the Group's liability for death or personal injury resulting from its negligence. Multicomp Pro is the registered trademark of Premier Farnell Limited 2019.

Newark.com/multicomp-pro
Farnell.com/multicomp-pro
Element14.com/multicomp-pro

multicomp PRO