



GARDTEC

| Revision | Date | Approved | Name |
|----------|------|----------|------|
| | | | |

Part Number:

SC92-W2SSS

Material: SUS304 Stainless Steel Wire

Finish:Electrolysis

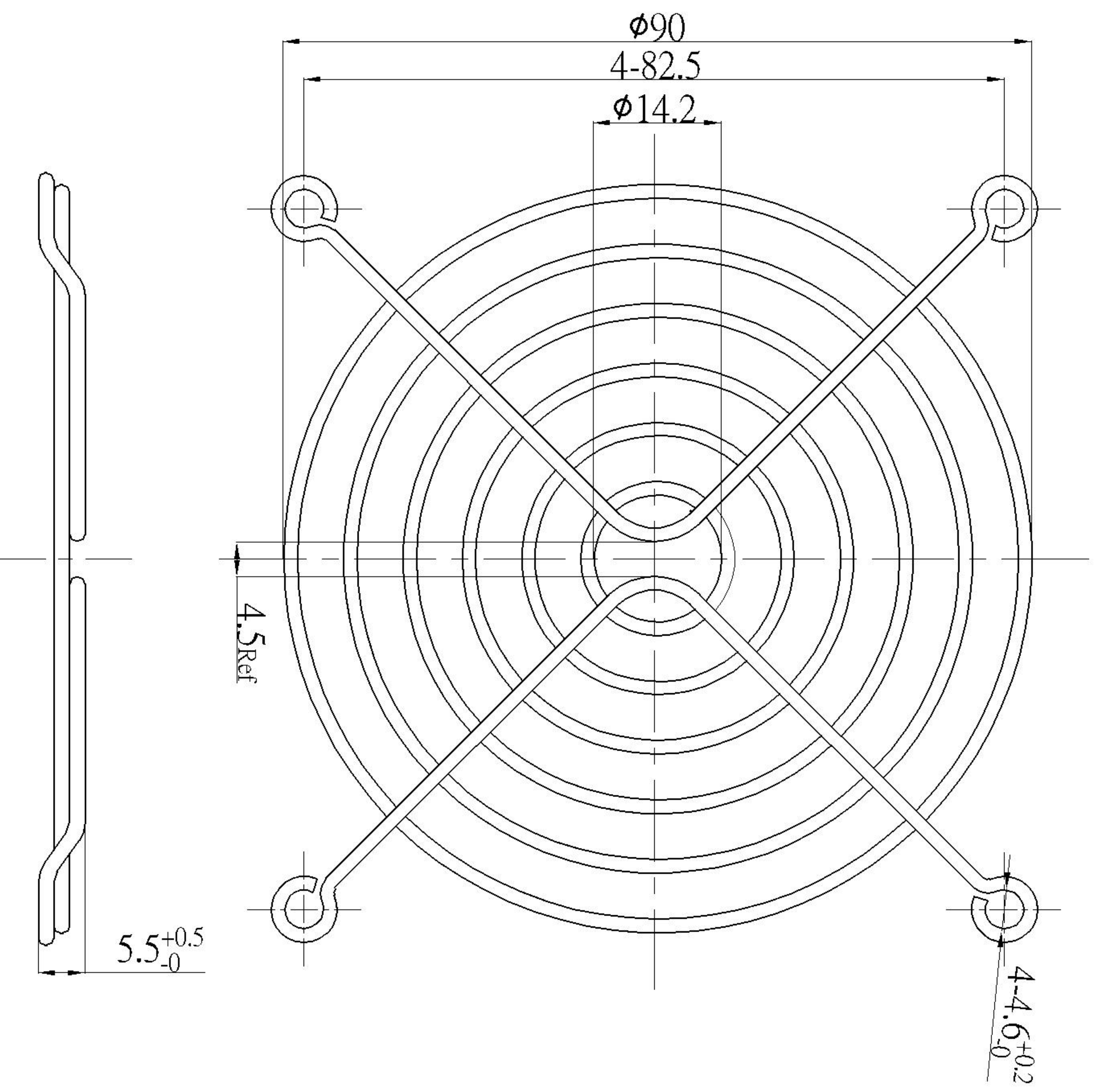
Ring Diameter: 1.6mm

Rib Diameter: 1.8mm

General Tolerance Unless Noted:±0.5mm

Unit: mm

RoHS Compliant



These drawings are the property of Gardtec, Inc and cannot be reproduced for or communicated to a third party without the express written permission of Gardtec, Inc.

GardTec, Inc. • 2909 Mt. Pleasant Street • Racine, WI USA

Questions or to order please call

(262) 634-5560

www.gardtecinc.com