



Product Change Notification

Current Date: 13-Nov-2019

TE Connectivity

Product Change Notification: E-19-017551

PCN Date: 12-NOV-19

Customer: TTI Inc(0000139702)

Location: WORLDWIDE

Agreement: Agreement Unknown

TE would like to inform you of the following change(s) to the listed TE Connectivity Product. In case of any further questions about this change(s), please contact your TE Connectivity Sales Engineer. Affected part, drawing and/or specification numbers are listed on the attached sheet(s).

General Product Description:
AMP SUPERSEAL 1,5 SRS. PLUG ASS'Y

Description of Changes
1745096,1745083 and 1745085 drawings are replaced by 282080,282087 and 202090 with all details.
Other attachments:
ECR form
Markup-2
Markup-1

Reason for Changes:
Product Improvement.
Estimated Dates:

Last Order Date (Obsolete Parts Only):	First Date To Ship (Changed Parts Only):
Last Ship Date (Obsolete Parts Only):	Last Date for Mixed Shipments: (Changed Parts Only):
	No Mixed Shipments

The documents listed below are being modified. Related parts that are not explicitly listed on this PCN are not being modified or discontinued as per the PCN. The Last Order Date, Last Ship Date, First Date to Ship Changed Parts and last date for Mixed Shipments apply only to parts explicitly listed on this PCN.

Note: This PCN contains only document changes, these changes do not affect the form, fit or function of the parts referenced.

Customer Drawing(s) Being Modified:

Drawing Number	Related Part Number	Customer Part Number	Current Revision	New Revision
282080	282080-2, 282080-1	TYC282080-1	D3	
282087	282087-1	TYC282087-1	C4	

Customer: TTI, Inc. (1305175)

Location: Maisach-gernlinden

Agreement Number: TTI001

The documents listed below are being modified. Related parts that are not explicitly listed on this PCN are not being modified or discontinued as per the PCN. The Last Order Date, Last Ship Date, First Date to Ship Changed Parts and last date for Mixed Shipments apply only to parts explicitly listed on this PCN.

Customer Drawing(s) Being Modified:

Drawing Number	Related Part Number	Customer Part Number	Current Revision	New Revision
282080	282080-1	TYC282080-1	D3	
282087	282087-1	TYC282087-1	C4	

Customer: TTI Inc (3164508)

Location: Fort Worth

Agreement Number: Agreement Unknown

The documents listed below are being modified. Related parts that are not explicitly listed on this PCN are not being modified or discontinued as per the PCN. The Last Order Date, Last Ship Date, First Date to Ship Changed Parts and last date for Mixed Shipments apply only to parts explicitly listed on this PCN.

Customer Drawing(s) Being Modified:

Drawing Number	Related Part Number	Customer Part Number	Current Revision	New Revision
282080	282080-1		D3	
282087	282087-1		C4	

Customer: TTI Inc (1281288)

Location: Fort Worth

Agreement Number: Agreement Unknown

The documents listed below are being modified. Related parts that are not explicitly listed on this PCN are not being modified or discontinued as per the PCN. The Last Order Date, Last Ship Date, First Date to Ship Changed Parts and last date for Mixed Shipments apply only to parts explicitly listed on this PCN.

Customer Drawing(s) Being Modified:

Drawing Number	Related Part Number	Customer Part Number	Current Revision	New Revision
282080	282080-1		D3	
282087	282087-1		C4	

Customer: Shanghai TTI EElectronics Co Ltd (1405773)

Location: Shanghai

Agreement Number: Agreement Unknown

The documents listed below are being modified. Related parts that are not explicitly listed on this PCN are not being modified or discontinued as per the PCN. The Last Order Date, Last Ship Date, First Date to Ship Changed Parts and last date for Mixed Shipments apply only to parts explicitly listed on this PCN.

Customer Drawing(s) Being Modified:

Drawing Number	Related Part Number	Customer Part Number	Current Revision	New Revision
282080	282080-2		D3	

Customer: TTI Electronics Asia Pte Ltd. (2771300)

Location: Singapore

Agreement Number: Agreement Unknown

The documents listed below are being modified. Related parts that are not explicitly listed on this PCN are not being modified or discontinued as per the PCN. The Last Order Date, Last Ship Date, First Date to Ship Changed Parts and last date for Mixed Shipments apply only to parts explicitly listed on this PCN.

Customer Drawing(s) Being Modified:

Drawing Number	Related Part Number	Customer Part Number	Current Revision	New Revision
282080	282080-1		D3	
282087	282087-1		C4	



PCN No.
 PCN Category
 Category of change
 OEM / CAM informed
 Part Number
 New Revision
 Drawing Number
New Revision
 General Product Description
 Estimated First Date for samples
 Estimated First Date to Ship (Changed part only)
 Estimated Last Date of Mixed Shipment
 Estimated Last Order Date (Obsolete Parts Only)
 Estimated Last Ship Date (Obsolete Parts Only)

E-19-017551							
Process							
Internal Requirement							
Yes							
NA							
NA							
1745096	1745083	1745085	282080	282087	202090		
A2	A3	A2	D4	C5	B1		
AMP SUPERSEAL 1,5 SRS. PLUG ASS'Y							
NA							
NA							
NA							
NA							
NA							

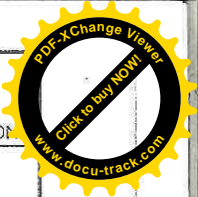
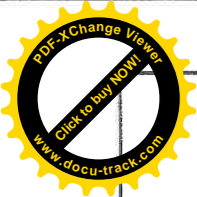
The information under column - Potential Impact for customer, is ment as a non binding guideline only.
 The customer has to do its own evaluation of the potential impact the change described in the Product Change Notification will have for him.

Picture:

Markup is attached in ECR supporting document

--

Potential Impact for Customer		Product Type		Change Type		Kind of Change		Change Feature	Remark / Free text
	x	Connector	x	Drawing	x	Drawing Change	x	new partnumbers added	1745096, 1745083 and 1745085 drawings are replaced by 282080,2 82087 and 202090 with all details.

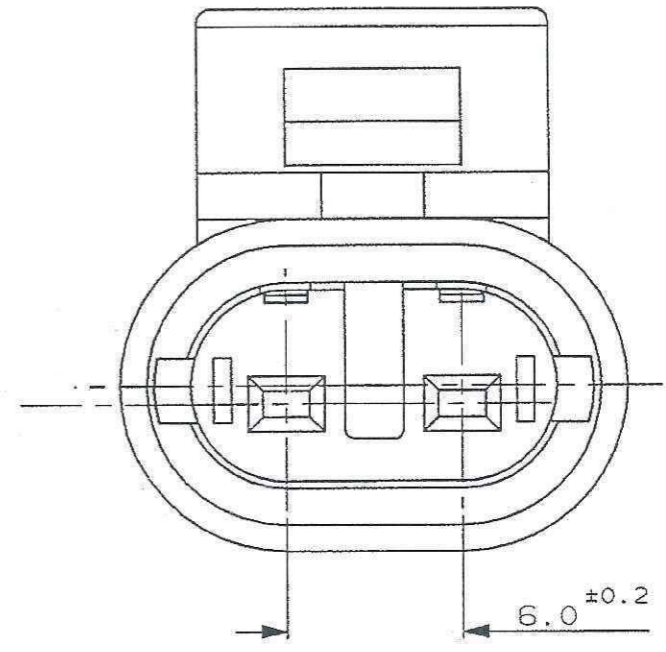
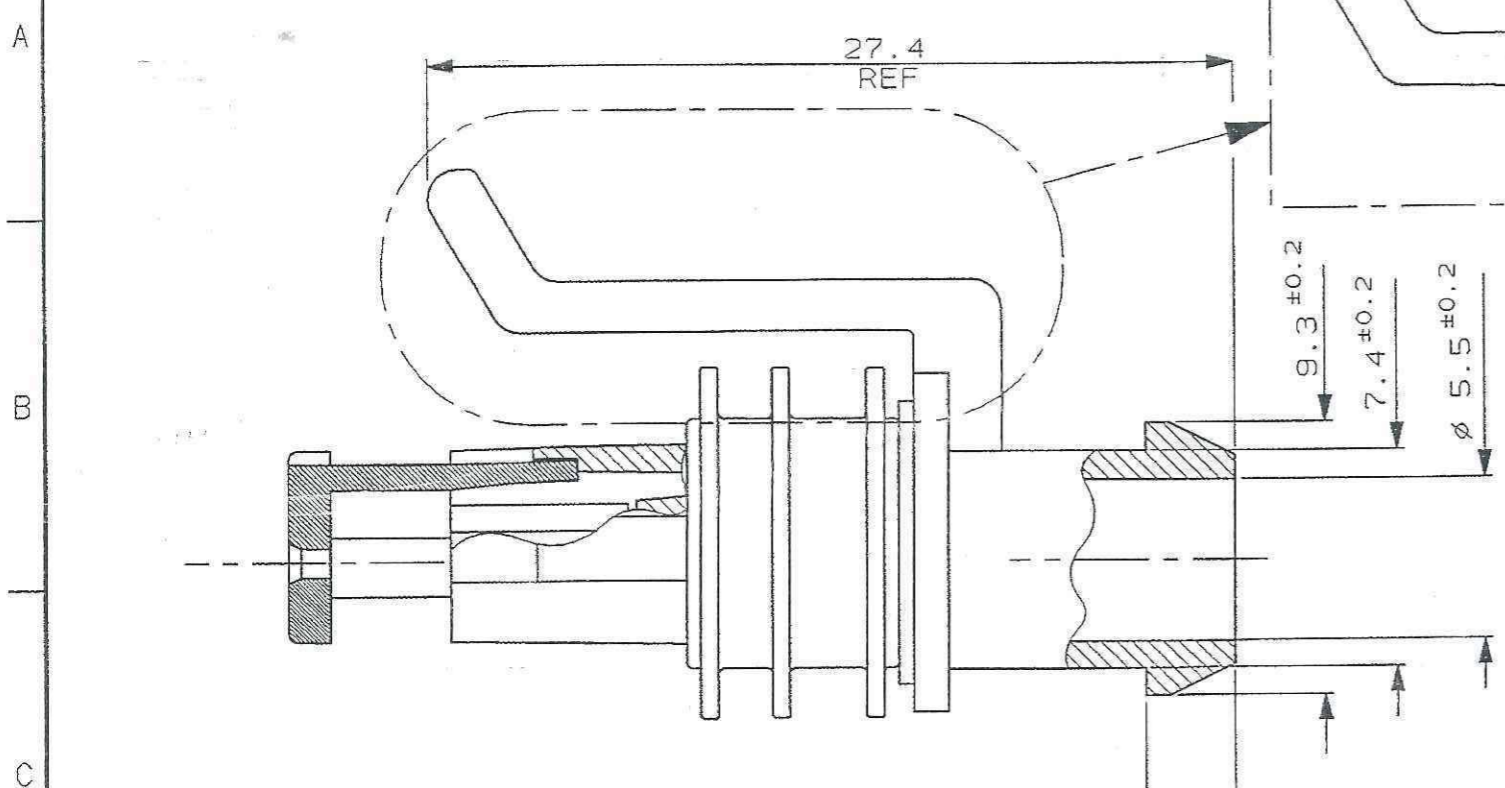
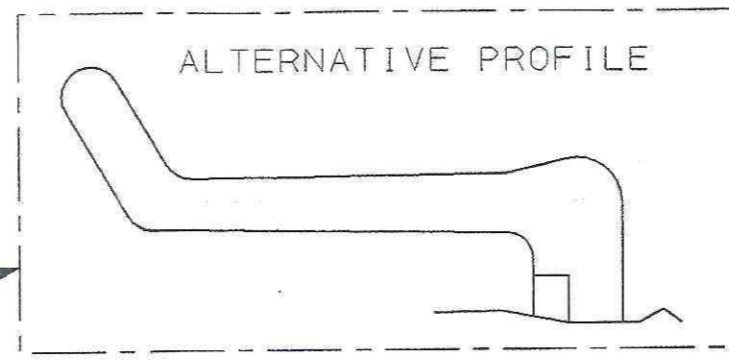


SCALA NON IMPEGNATIVA
(DO NOT SCALE)
DIMENSIONI IN mm
(DIMENSIONS IN mm)

METRIC

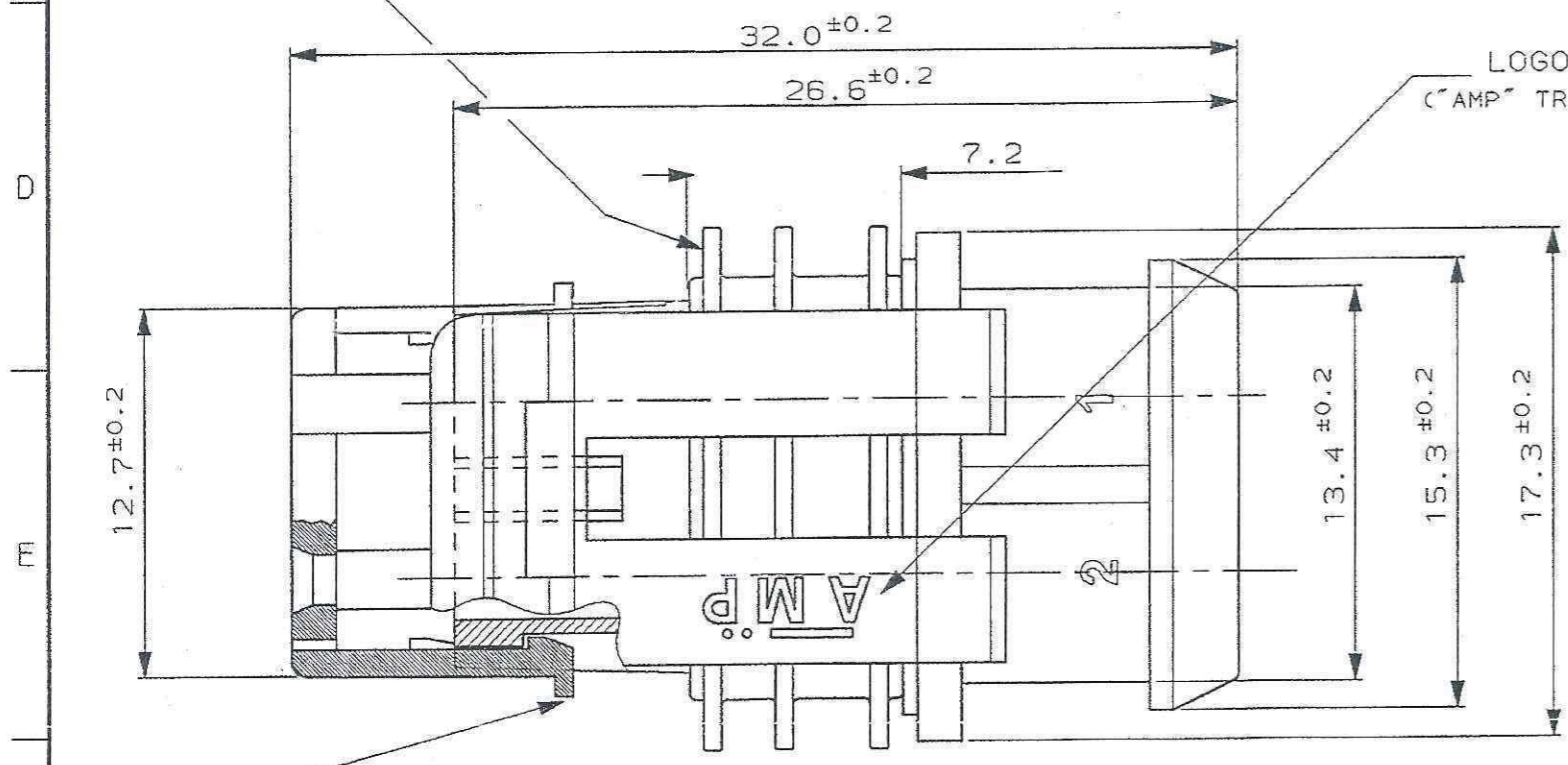
PROIEZIONE EUROPEA
(EUROPEAN PROJECTION)

ALTERNATIVE PROFILE



*Drawing Replaced by
C-282080 Rev D4*

GUARNIZIONE, GOMMA SILICONICA
(GASKET, SILICONE RUBBER)



LOGO "AMP"
("AMP" TRADE MARK)

1) PER RAPPRESENTAZIONE DIMA CONTROPARTE
VEDERE FOGLIO 2 DI 2.
(FOR COUNTERPART DETAIL SEE SHEET 2 OF 2)

AGGANCIO SECONDARIO, COLORE BIANCO, PRE-ASSEMBLATO
(SECONDARY LOCK, WHITE COLOUR, IN PRE-ASSEMBLED POSITION)

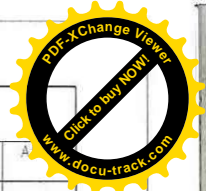
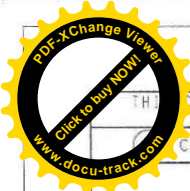
BIANCO (WHITE)	ACC. TO IEC 60335-1	A	1745096-1
FINITURA / COLORE (FINISH / COLOUR)	MATERIALE (MATERIAL)	REV.	NUMERO (PART NUMBER)

CUSTOMER DWG. FOR REFERENCE ONLY
DISEGNO PER CLIENTE SOLO PER RIFERIMENTO

THIS DRAWING IS UNPUBLISHED		RELEASE FOR PUBLICATION		19
© COPYRIGHT 19 BY AMP INCORPORATED, HARRISBURG, PA. ALL INTERNATIONAL RIGHT RESERVED. AMP PRODUCTS MAY BE COVERED BY U.S. AND FOREIGN PATENT AND/OR PATENT PENDING				
TOLLERANZE, SE NON DIVERSAMENTE SPECIFICATO (TOLERANCES, UNLESS OTHERWISE SPECIFIED)	DIAM. ISOLANTE (INS. DIA. RANGE)	RANGO FILO (WIRE RANGE)	SCALA (SCALE)	
± 0.3	-	-	-	
ANGOLI (ANGLES)	± 2°		-	
DIS. (DR.)		DESCRIZIONE (DESCRIPTION)		
M. PALMA		2 POS. PLUG ASS'Y		
CONT. (CHK)		AMP SUPERSEAL 1.5 SERIES CONNECTORS		
M.P. (M.P.)		LOC. SIZE (LOC. SIZE)		
APP. (APP.)		REV. (REV.)		
A. GENTA		A1		

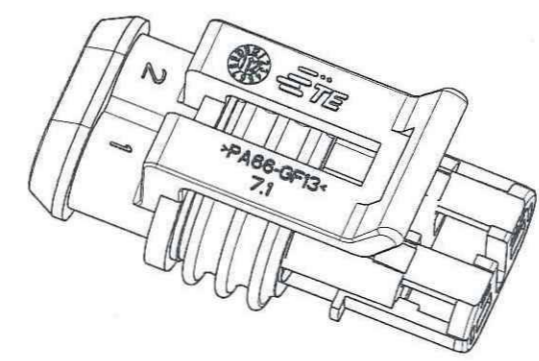
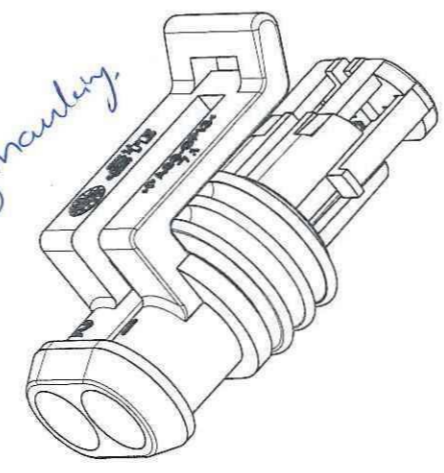
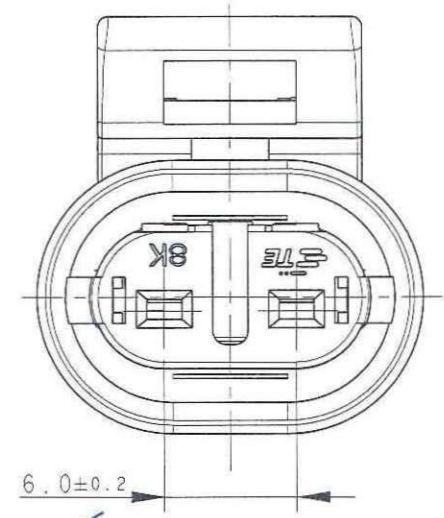
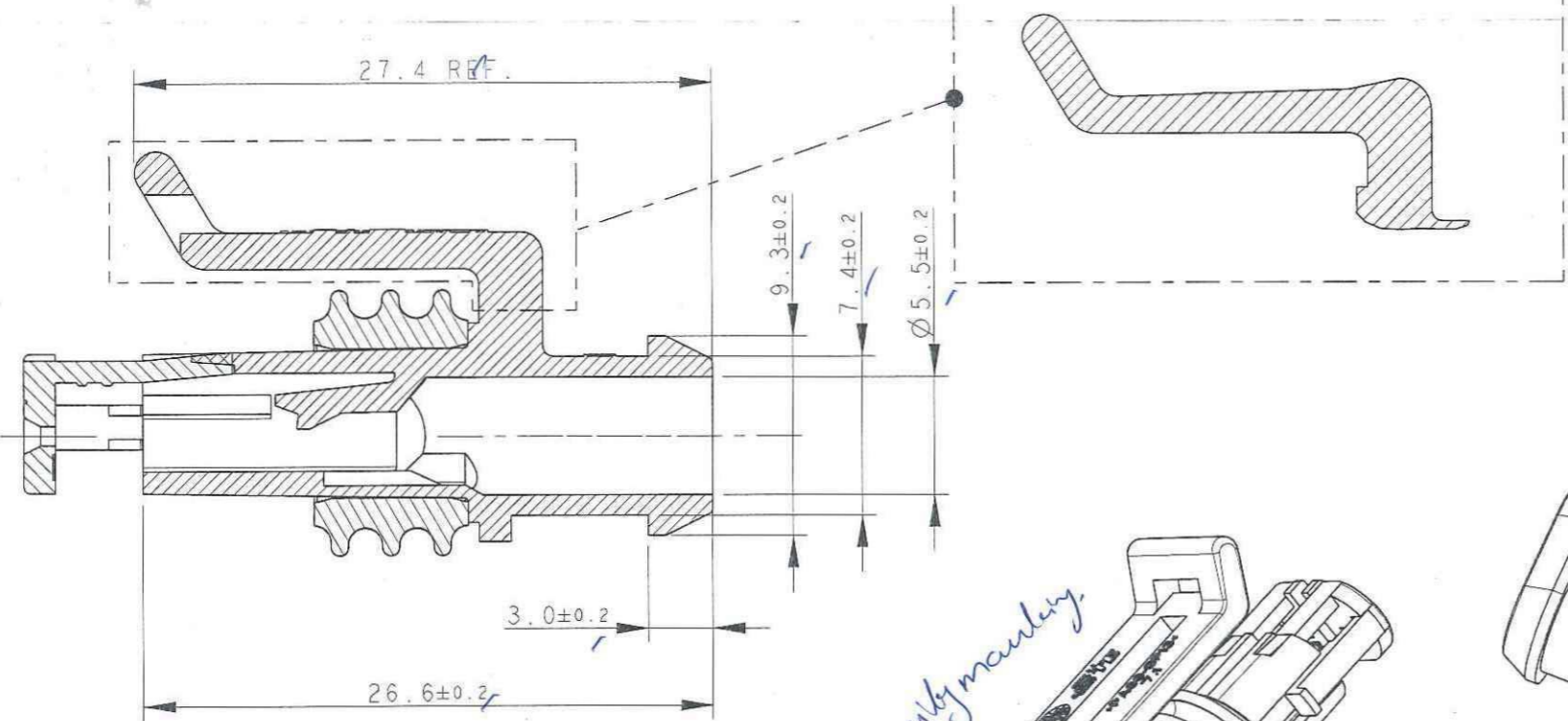
A1	RELEASED FOR PRODUCTION (ECR-06-028933)	M.G. (M.G.)	8-12	CONT. (CHK)	26-6-06	DIS. (DR.)	M. PALMA	DESCRIZIONE (DESCRIPTION)	AMP SUPERSEAL 1.5 SERIES CONNECTORS
A	FIRST ISSUE	M.P. (M.P.)	26-6	APP. (APP.)	26-6-06	DIS. (DR.)	A. GENTA	LOC. SIZE (LOC. SIZE)	REV. (REV.)

DISTRIBUZIONE
(PRINT DIST.)



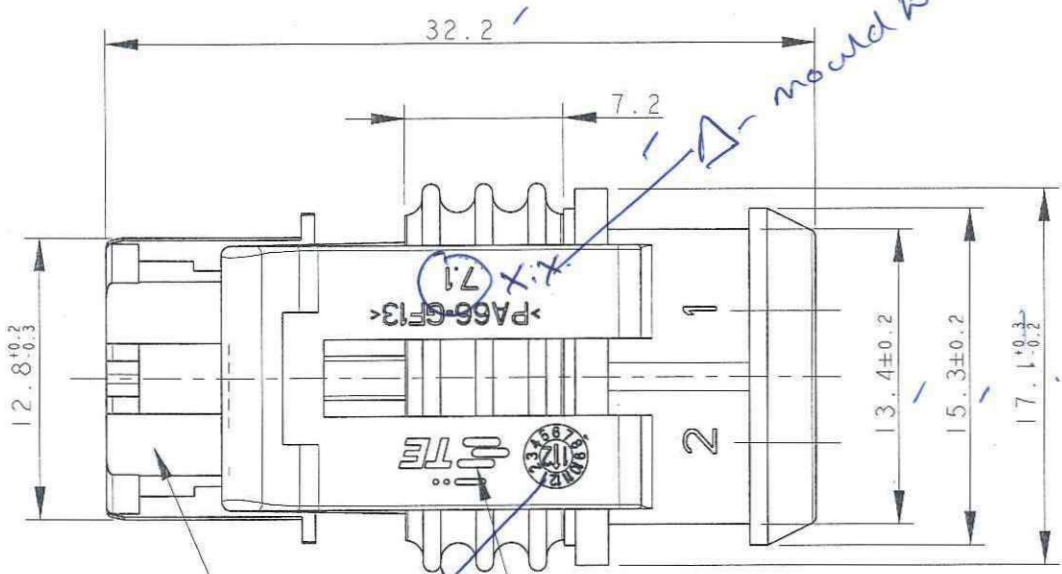
REVISIONS				
P	LTR	DESCRIPTION	DATE	DWN
D2		ADDED FSL SEAL VERSION (ECO-15-016364)	13NOV2015	M.G.
D3		REVISED PER ECO-17-001706	10FEB2017	C.A.
D4		Revised per Eco-	-	

ALTERNATIVE DESIGN OF LOCKING LANCE



Handwritten note: H08TSL is PA66GF20 UL94-V2
 Sealing: LSR
 ALL TO IEC 60335-1

Handwritten note: mould not cavity moulding.



1) FOR COUNTERPART DETAILS, SEE SHEET 2 OF 2

FINISH/COLOR	MATERIAL	PART NUMBER
H19 BLACK <i>SL-red</i>	HOUSING+SEC. LOCK: PA66-GF SEALING: FSL	1-282080-1 (*)
H19 BROWN <i>SL-red</i>		282080-4
H19 GREEN <i>SL-red</i>	HOUSING+SEC. LOCK: PA66-GF SEALING: LSR	282080-3
H19 GRAY <i>SL-red</i>		282080-2
H19 BLACK <i>SL-red</i>		282080-1

(*) NOT YET RELEASED FOR PRODUCTION

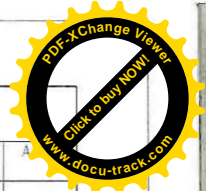
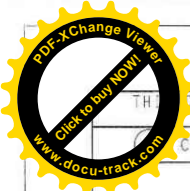
Handwritten note: 41-Datecode (optional in old moulds)

TE CONNECTIVITY TRADE MARK,
 (IN ALTERNATIVE: "AMP" LOGO, OR "Tyco Electronics" LOGO)

SEALING
 (COLOUR YELLOW FOR LSR VERSION)
 (COLOUR WHITE FOR FSL VERSION)

PRE-ASSEMBLED SECONDARY LOCK
 (COLOUR RED/WHITE)
 (Colour Red/White)

THIS DRAWING IS A CONTROLLED DOCUMENT.		DWN C. BERTINI 05-1992	TE Connectivity	
		CHK A. BRUNI 05-1992		
DIMENSIONS: mm	TOLERANCES UNLESS OTHERWISE SPECIFIED:	APVD	NAME	
	0 PLC ±		AMP SUPERSEAL 1.5 SRS.	
	1 PLC ±0.3		2 POSITIONS PLUG ASS'Y	
	2 PLC ±		SIZE	CAGE CODE
	3 PLC ±		A300779	C=282080
	4 PLC ±		RESTRICTED TO	
	ANGLES ±2°			
MATERIAL	FINISH	PRODUCT SPEC 108-20090		
SEE TABLE	SEE TABLE	APPLICATION SPEC 412-20000		
		WEIGHT 2.60gr		
		Customer Drawing	SCALE 3:1	SHEET 1 OF 2
			REV D3	



4

3

2

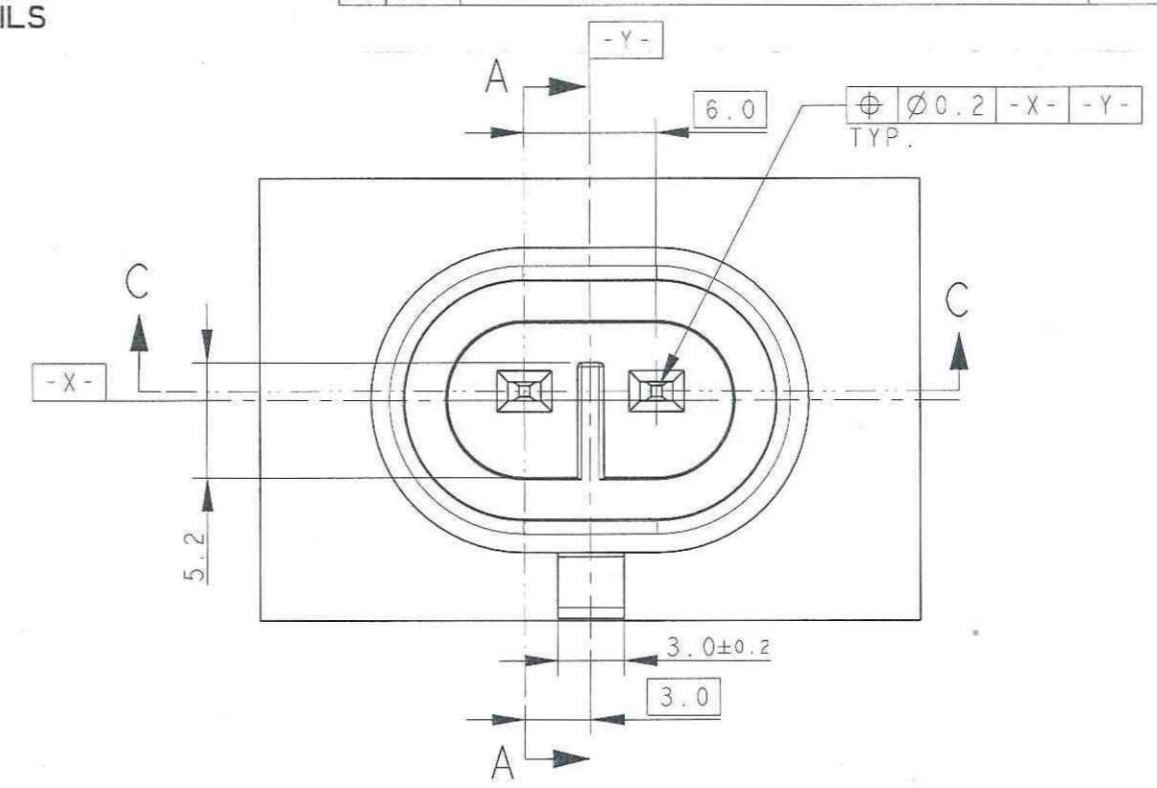
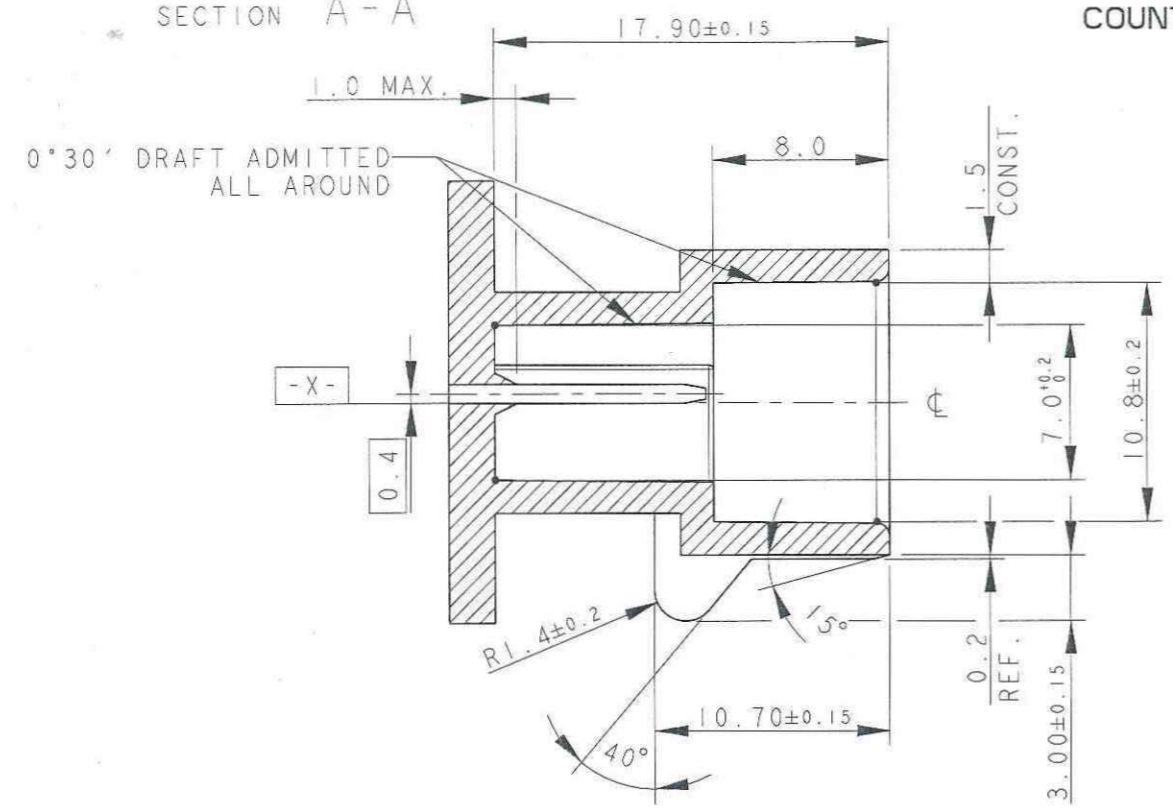
1

THIS DRAWING IS UNPUBLISHED.
 RELEASED FOR PUBLICATION
 COPYRIGHT 2011
 ALL RIGHTS RESERVED.

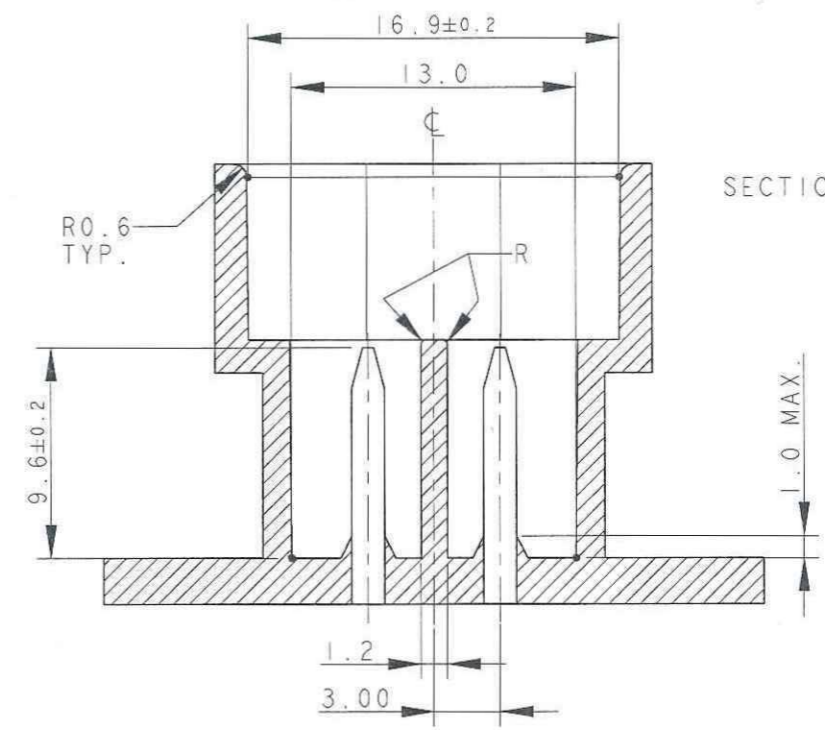
REVISIONS				
P	LTR	DESCRIPTION	DATE	DWN
-	-	SEE SHEET 1	-	-

SECTION A-A

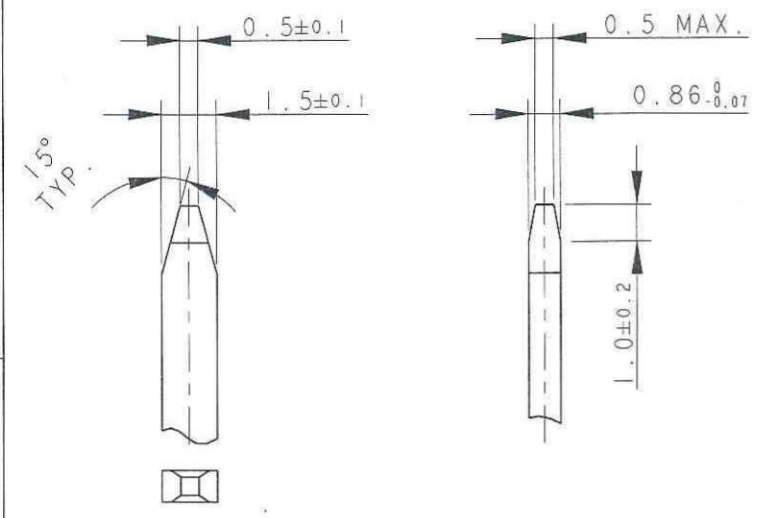
COUNTERPART DETAILS



SECTION C-C



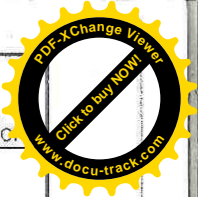
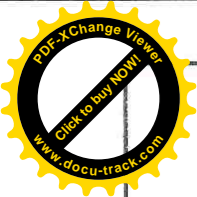
TAB DETAILS



MATERIALS: PA66-GF FOR HOUSING +
 TIN PLATED BRASS FOR TABS

*For PN 1745096-1 →
 counterpart mch1
 PA66-GF Accp
 IEC60335-1*

THIS DRAWING IS A CONTROLLED DOCUMENT.		DWN C. BERTINI 05-1992	TE Connectivity	
		CHK A. BRUNI 05-1992		
DIMENSIONS: mm		APVD -	NAME -	
TOLERANCES UNLESS OTHERWISE SPECIFIED:		PRODUCT SPEC 108-20090	AMP SUPERSEAL 1.5 SRS. 2 POSITIONS PLUG ASS'Y	
0 PLC ±0.3 1 PLC ±0.1 2 PLC ±0.05 3 PLC ± 4 PLC ± ANGLES ±2°		APPLICATION SPEC 412-20000	SIZE A300779	CAGE CODE C-282080
MATERIAL		WEIGHT 2.60gr	RESTRICTED TO -	
FINISH		Customer Drawing	SCALE 5:1	SHEET 2 OF 2
			REV D3	



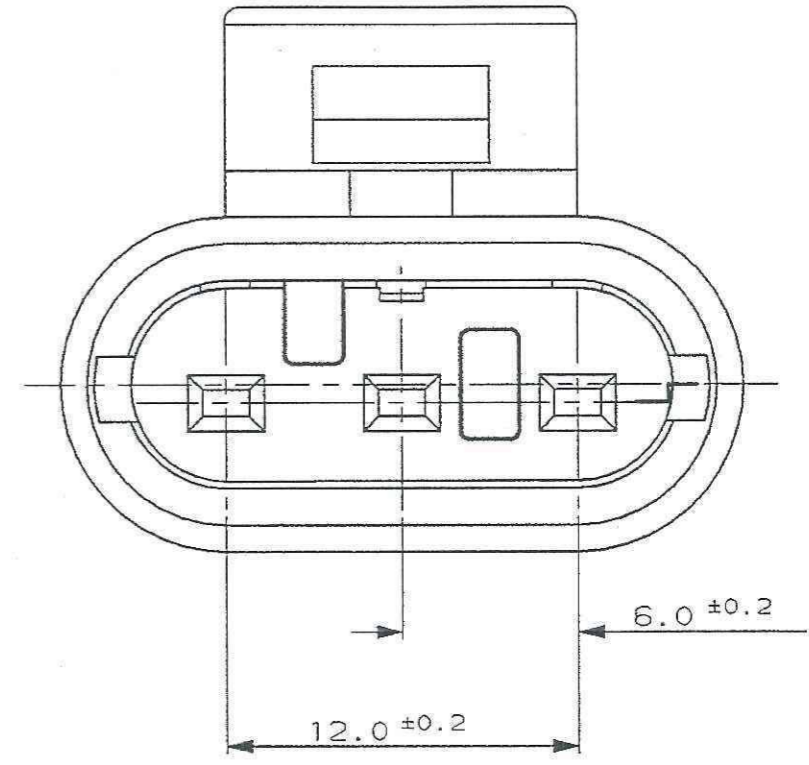
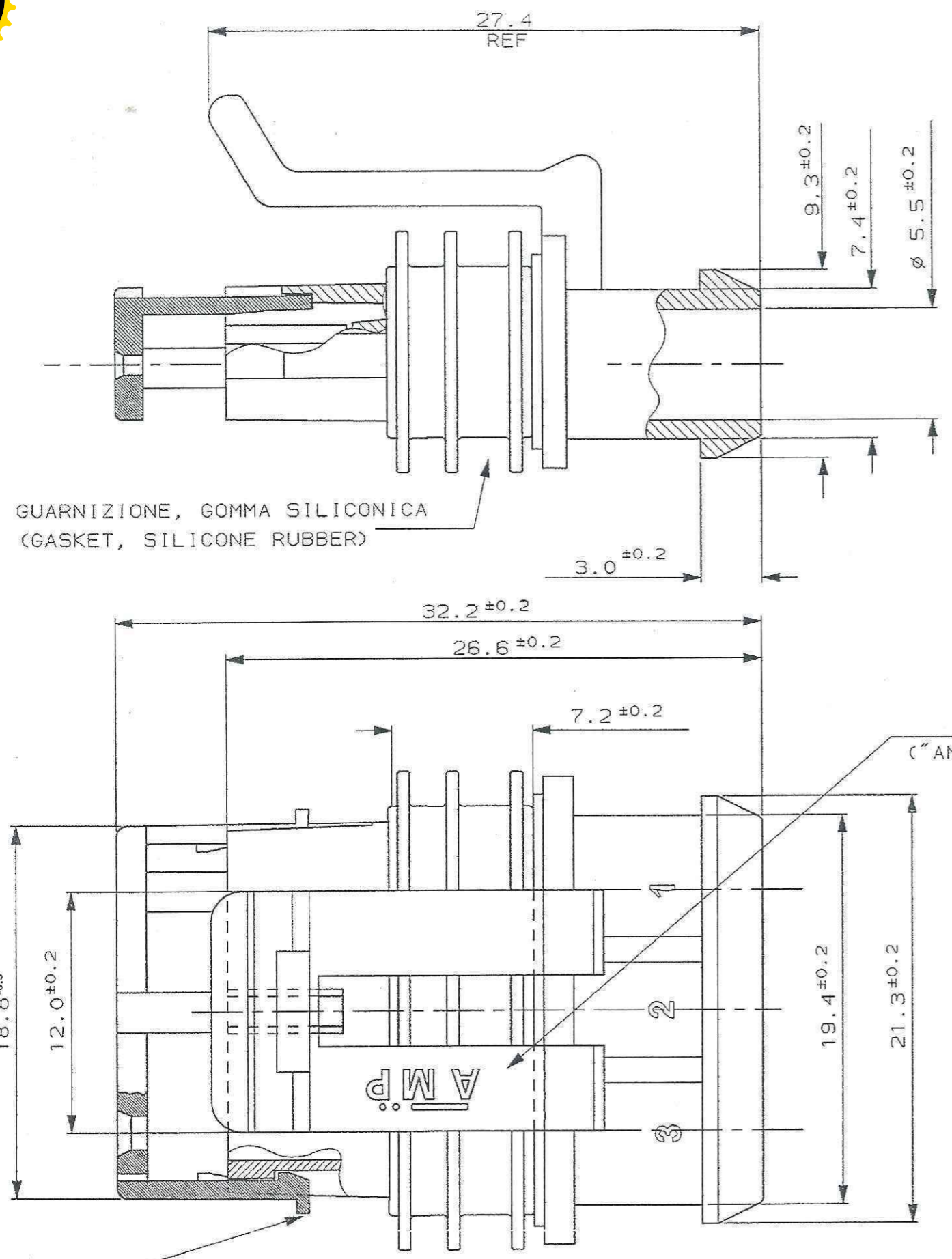
SCALA NON IMPEGNATIVA
(DO NOT SCALE)
DIMENSIONI IN mm
(DIMENSIONS IN mm)

METRIC

PROIEZIONE EUROPEA
(EUROPEAN PROJECTION)

A
B
C
D
E
F

A
B
C
D
E
F



GUARNIZIONE, GOMMA SILICONICA
(GASKET, SILICONE RUBBER)

AGGANCIAMENTO SECONDARIO, COLORE BIANCO, PRE-ASSEMBLATO
(SECONDARY LOCK, COLOUR WHITE, IN PRE-ASSEMBLED POSITION)

*Drawing replaced by
C-282087 REVCS*

1) PER RAPPRESENTAZIONE DIMA CONTROPARTE
VEDERE FOGLIO 2 DI 2.
(FOR COUNTERPART DETAIL SEE SHEET 2 OF 2)

BIANCO (WHITE)	PA 6.6 - GF20%	1745083-1
FINITURA / COLORE (FINISH / COLOUR)	ACC. TO IEC 60335-1	NUMERO (PART NUMBER)
	MATERIALE (MATERIAL)	

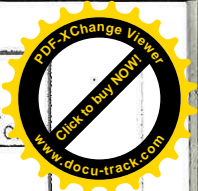
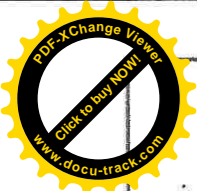
CUSTOMER DWG. FOR REFERENCE ONLY
DISEGNO PER CLIENTE SOLO PER RIFERIMENTO

THIS DRAWING IS UNPUBLISHED		RELEASE FOR PUBLICATION		19
© COPYRIGHT 19 BY AMP INCORPORATED, HARRISBURG, PA. ALL INTERNATIONAL RIGHT RESERVED. AMP PRODUCTS MAY BE COVERED BY U.S. AND FOREIGN PATENT AND/OR PATENT PENDING				
TOLLERANZE: SE NON DIVERSAMENTE SPECIFICATO (TOLERANCES: UNLESS OTHERWISE SPECIFIED)	DIAM. ISOLANTE (INS. DIA. RANGE)	RANGO FILO (WIRE RANGE)	SCALA (SCALE)	
± 0.3	-	-	-	
ANGOLI (ANGLES)	± 2°			



A2	REVISED PER ECO-18-010704	VN	08/11/18	DIS. (DR.)	10-4-2006	DESCRIZIONE (DESCRIPTION)	3 POS. PLUG ASS'Y
A1	RELEASED FOR PRODUCTION (ECR-06-028933)	M.G.	08/05	CONT. (CHK)	10-4-2006	AMP SUPERSEAL 1.5 SERIES CONN.	
A	FIRST ISSUE	M.P.	05	APP. (APP.)	10-4-2006	LOC. SIZE NUMERO (DWG NO)	I A3 C-1745083
REV. (REV.)	REVISIONI (REVISION RECORD)	DIS. DATA (DR. DATE)					REV. FOGLIO (SHEET) 1 DI (OF) 2

DISTRIBUZIONE (PRINT DIST.)

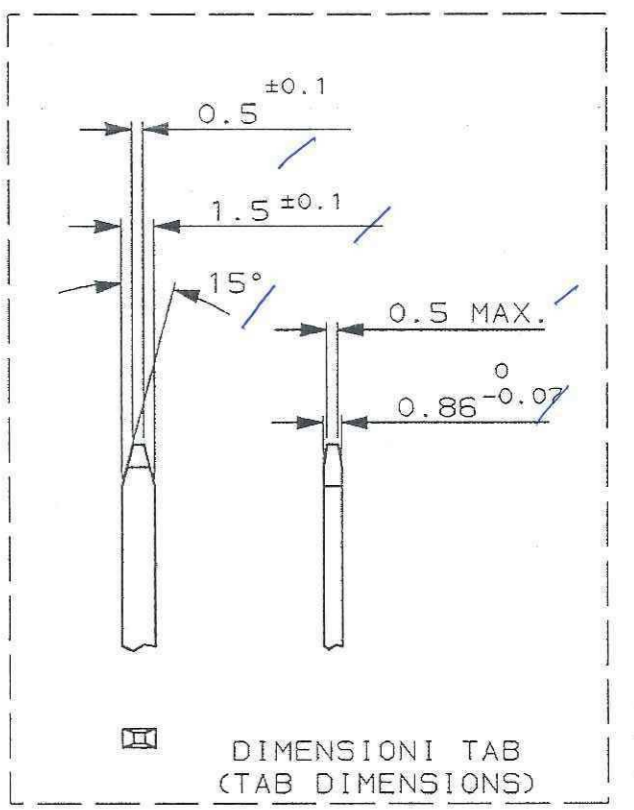
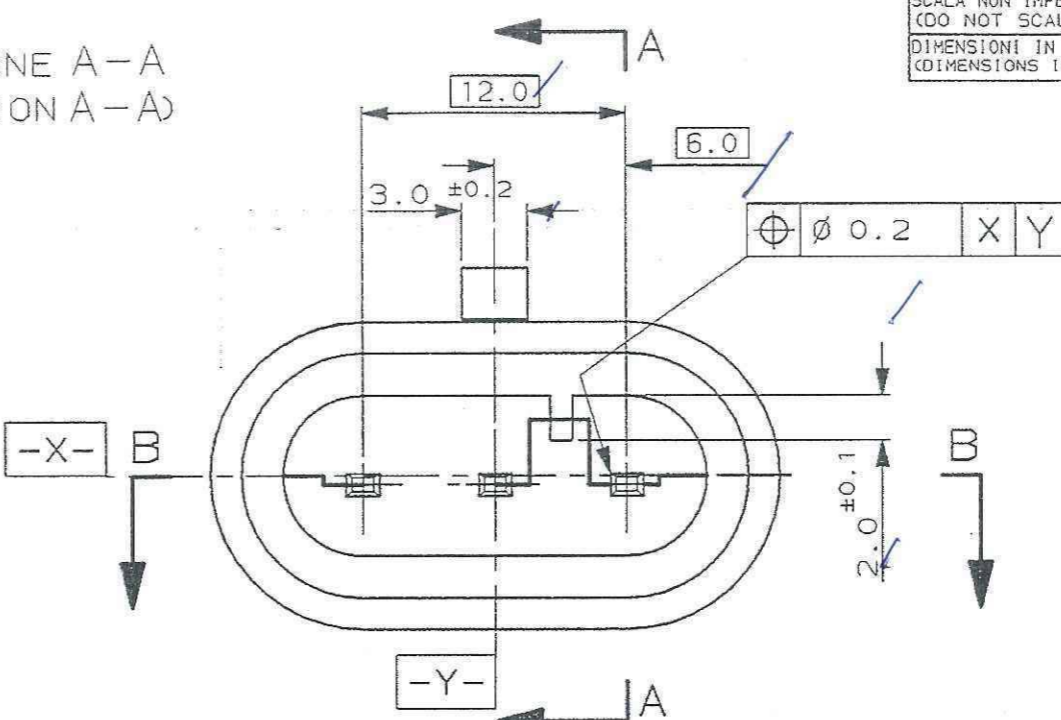
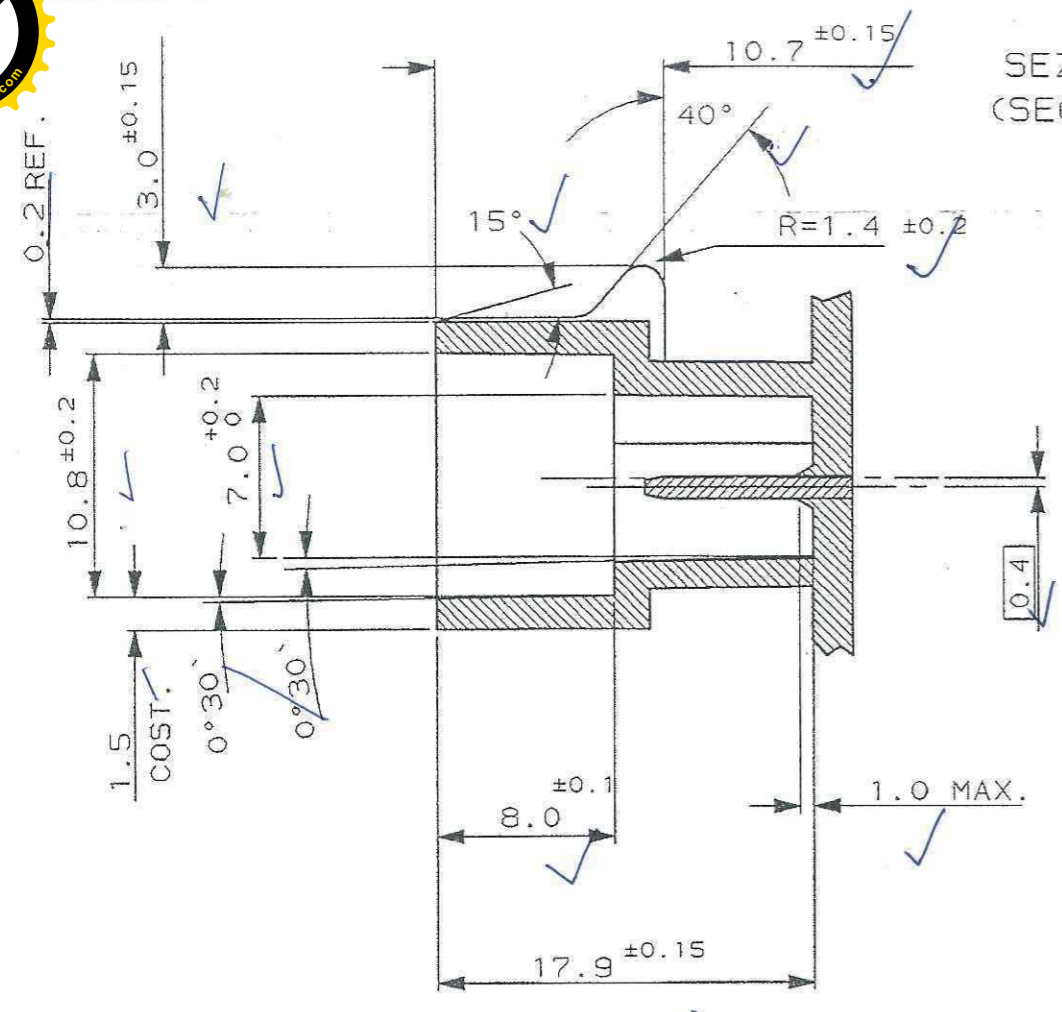


SCALA NON IMPEGNATIVA
(DO NOT SCALE)
DIMENSIONI IN mm
(DIMENSIONS IN mm)

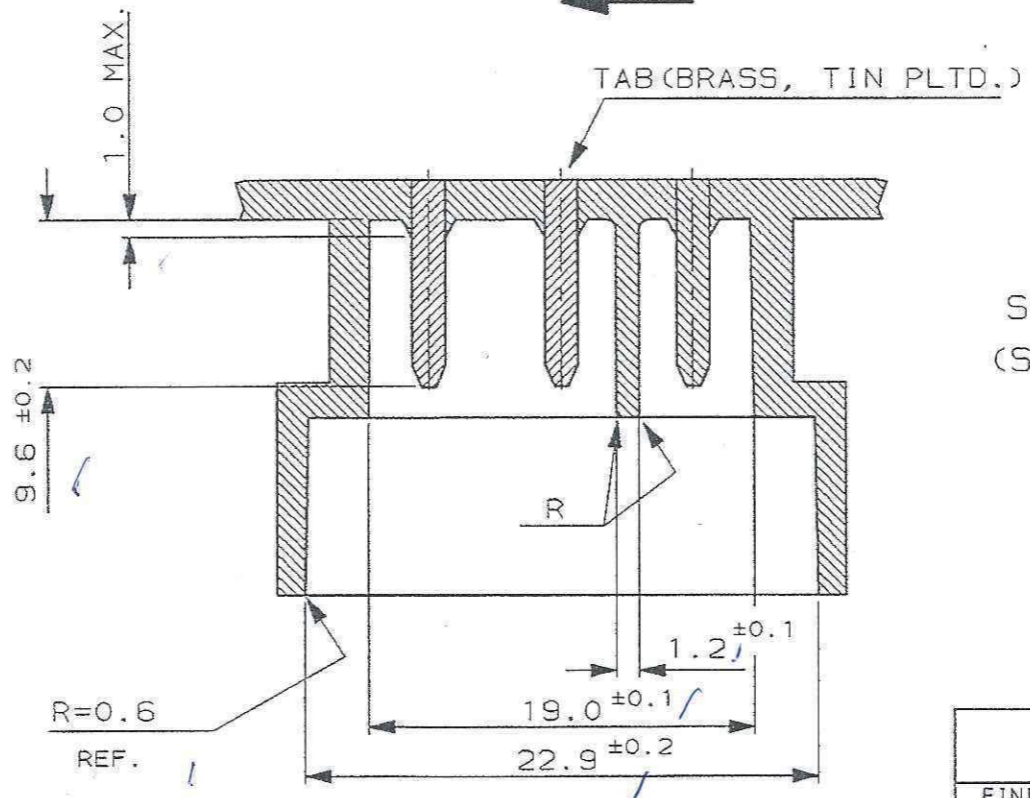
METRIC

PROIEZIONE EUROPEA
(EUROPEAN PROJECTIO...)

SEZIONE A-A
(SECTION A-A)



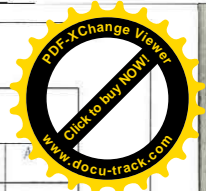
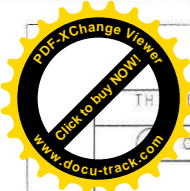
SEZIONE B-B
(SECTION B-B)



RAPPRESENTAZIONE DIMA CONTROPARTE
(COUNTERPART DETAIL AS SHOWN)

FINITURA / COLORE (FINISH / COLOUR)		PA 6.6 - GF FILLED ACC. TO IEC 60335-1	NUMERO (PART NUMBER)	
CUSTOMER DWG. FOR REFERENCE ONLY		DISEGNO PER CLIENTE SOLO PER RIFERIMENTO		
-THIS DRAWING IS UNPUBLISHED-		RELEASE FOR PUBLICATION		19
© COPYRIGHT 19 BY AMP INCORPORATED, HARRISBURG, PA. ALL INTERNATIONAL RIGHT RESERVED. AMP PRODUCTS MAY BE COVERED BY U.S. AND FOREIGN PATENT AND/OR PATENT PENDING				
TOLLERANZE: SE NON DIVERSAMENTE SPECIFICATO (TOLERANCES, UNLESS OTHERWISE SPECIFIED)		DIAM. ISOLANTE (INS. DIA. RANGE)	RANGO FILO (WIRE RANGE)	SCALA (SCALE)
± 0.3		-	-	-
ANGOLI (ANGLES)		± 2°		
DIS. (DR.)		DESCRIZIONE (DESCRIPTION)		
10/4/2006 M. PALMA		3 POS. PLUG ASS'Y AMP SUPERSEAL 1.5 SERIES CONN.		
VEDERE FOGLIO 1 DI 2 (SEE SHEET 1 OF 2)		CONT. (CHK)		REV.
10/4/2006 R. MARTINI		APP. (APP.)		FOGLIO (SHEET)
10/4/2006 A. GENTA		LOC. SIZE NUMERO (DWG NO)		D1 (COP)
REV. (REV.)	REVISIONI (REVISION RECORD)	DIS. (DR.)	DATA (DATE)	I A3 C-1745083 A2 2

DISTRIBUZIONE
(PRINT DIST.)



4

3

2

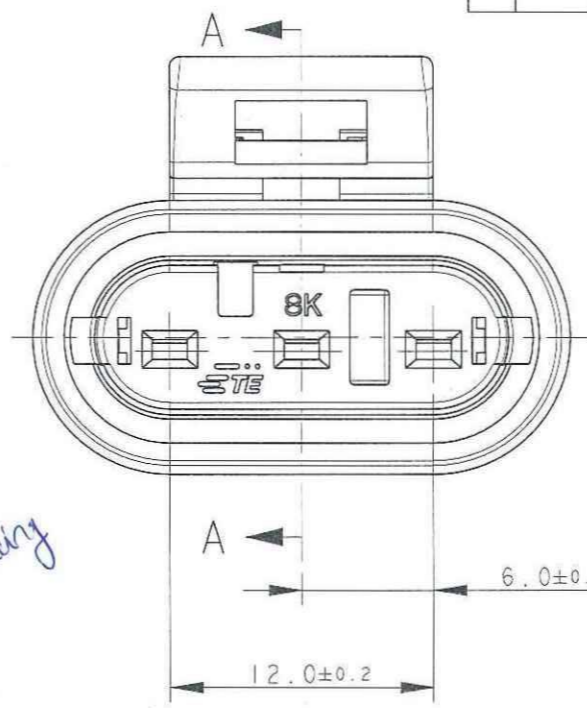
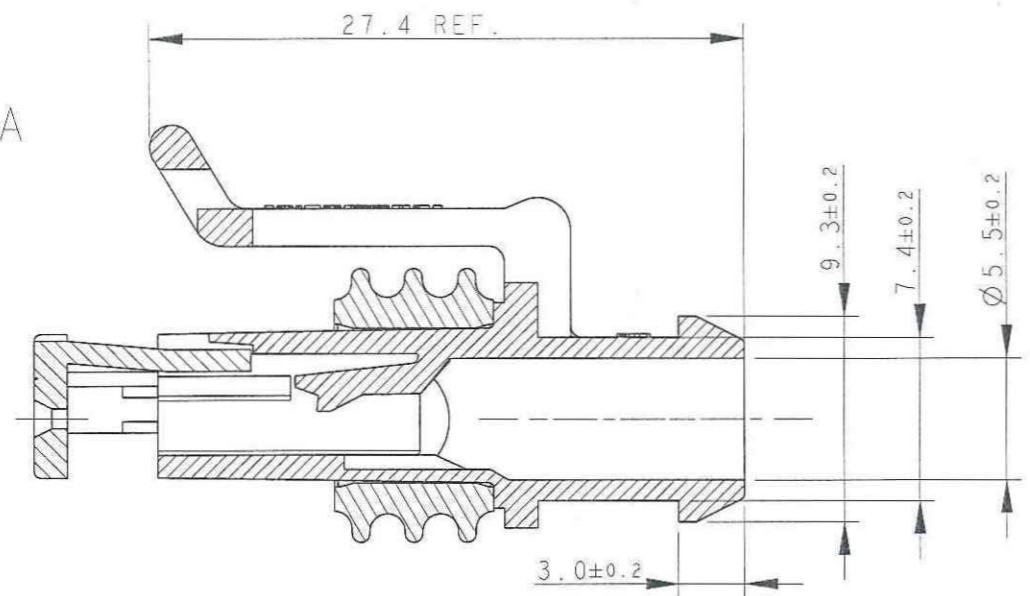
1

THIS DRAWING IS UNPUBLISHED.
RELEASED FOR PUBLICATION 2011
COPYRIGHT 2011 ALL RIGHTS RESERVED.

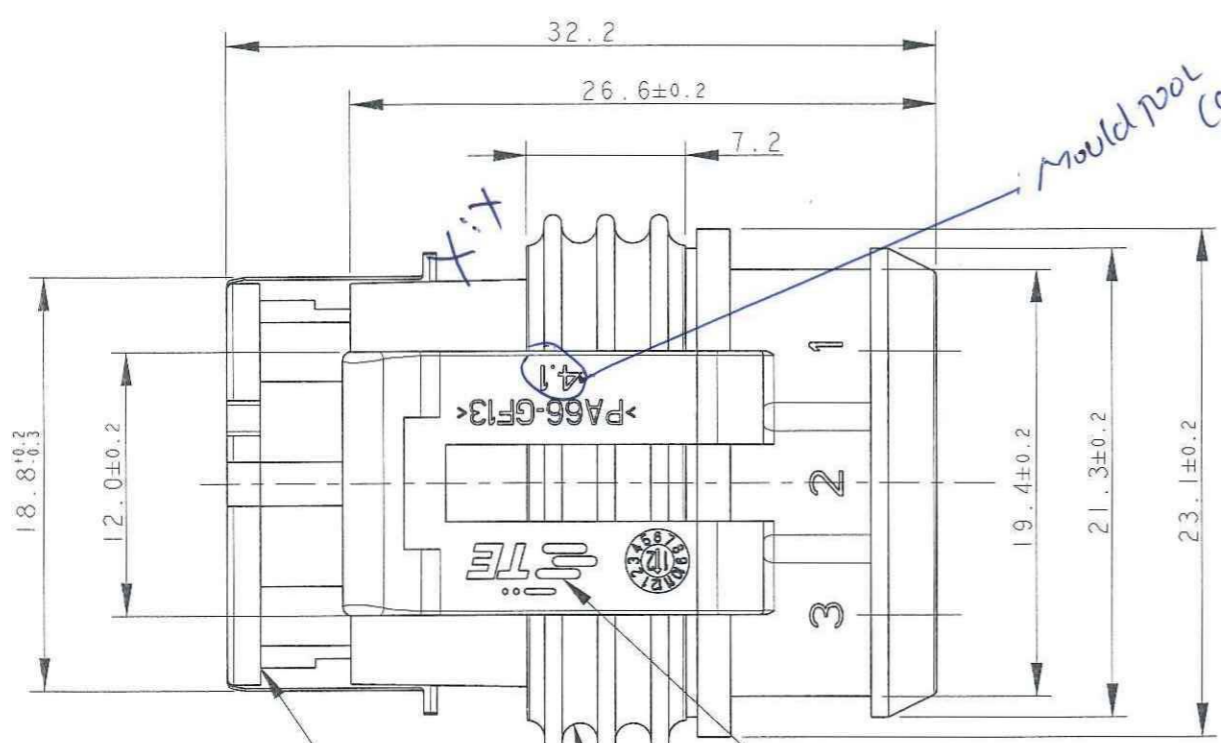
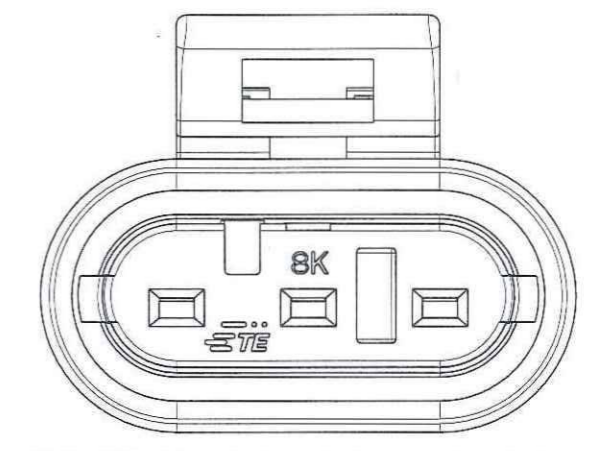
REVISIONS

P	LTR	DESCRIPTION	DATE	DWN	CHK
C2		ADDED FSL SEAL VERSION (ECO-15-016364)	13NOV2015	M.G.	M.G.
C3		REVISED PER ECO-17-001706	10FEB2017	C.A.	M.G.
C4		REVISED PER ECO-18-012780	13AUG2018	AP	VN

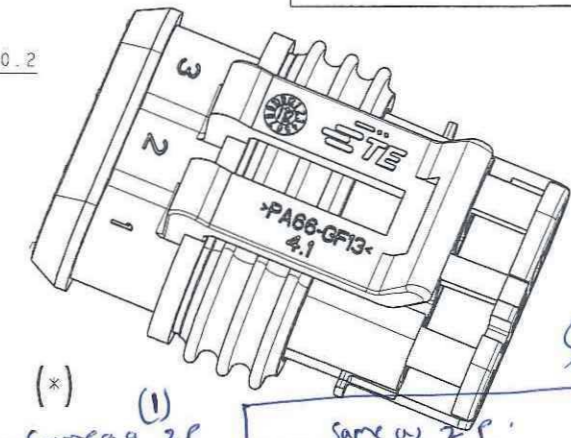
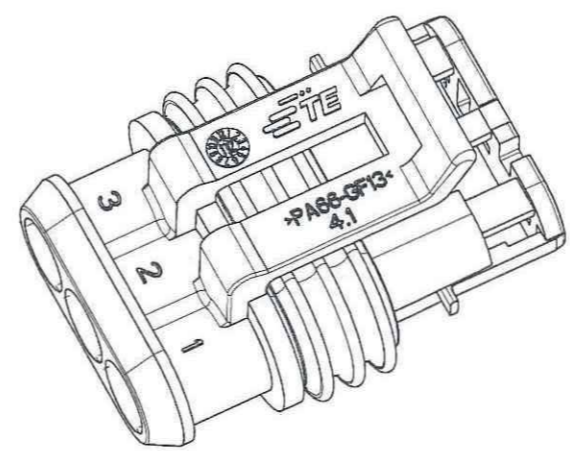
SECTION A-A



ONLY FOR BRAZILIAN PRODUCTION



Mould Pool Cavity marking



Same notes as - 2 pos.

FINISH/COLOR	MATERIAL	PART NUMBER
H19 GRAY SL-red	HOUSING+SEC. LOCK: PA 66-GF SEALING: FSL	1-282087-2 (*)
H19 BLACK SL-red	HOUSING+SEC. LOCK: PA 66-GF SEALING: FSL	1-282087-1 (*)
H19 GRAY SL-red	HOUSING+SEC. LOCK: PA 66-GF SEALING: LSR	282087-2
H19 BLACK SL-red	HOUSING+SEC. LOCK: PA 66-GF SEALING: LSR	282087-1

TE CONNECTIVITY TRADE MARK
(IN ALTERNATIVE: "AMP" LOGO OR "Tyco Electronics" LOGO)

SEALING
(COLOUR YELLOW FOR LSR VERSION)
(COLOUR WHITE FOR FSL VERSION)

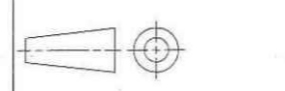
PRE-ASSEMBLED SECONDARY LOCK
(COLOUR RED)

1) FOR COUNTERPART DETAILS, SEE SHEET 2 OF 2

THIS DRAWING IS A CONTROLLED DOCUMENT.

DIMENSIONS:
mm

TOLERANCES UNLESS OTHERWISE SPECIFIED:



0 PLC	±
1 PLC	±0.3
2 PLC	±
3 PLC	±
4 PLC	±
ANGLES	±2°

MATERIAL
SEE TABLE

FINISH
SEE TABLE

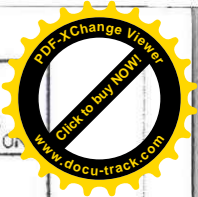
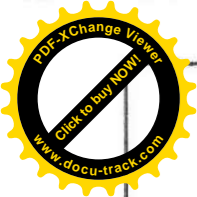
DWN	C. BERTINI	07-1990
CHK	A. BRUNI	07-1990
APVD	-	-
PRODUCT SPEC	108-20090	
APPLICATION SPEC	412-20000	
WEIGHT	3.65gr	

TE TE Connectivity

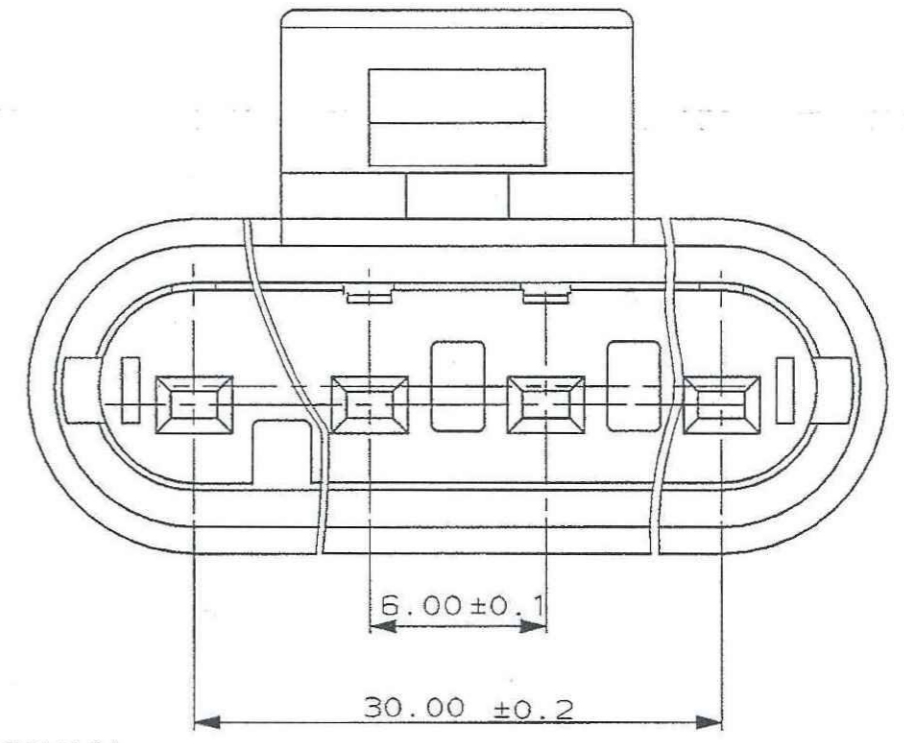
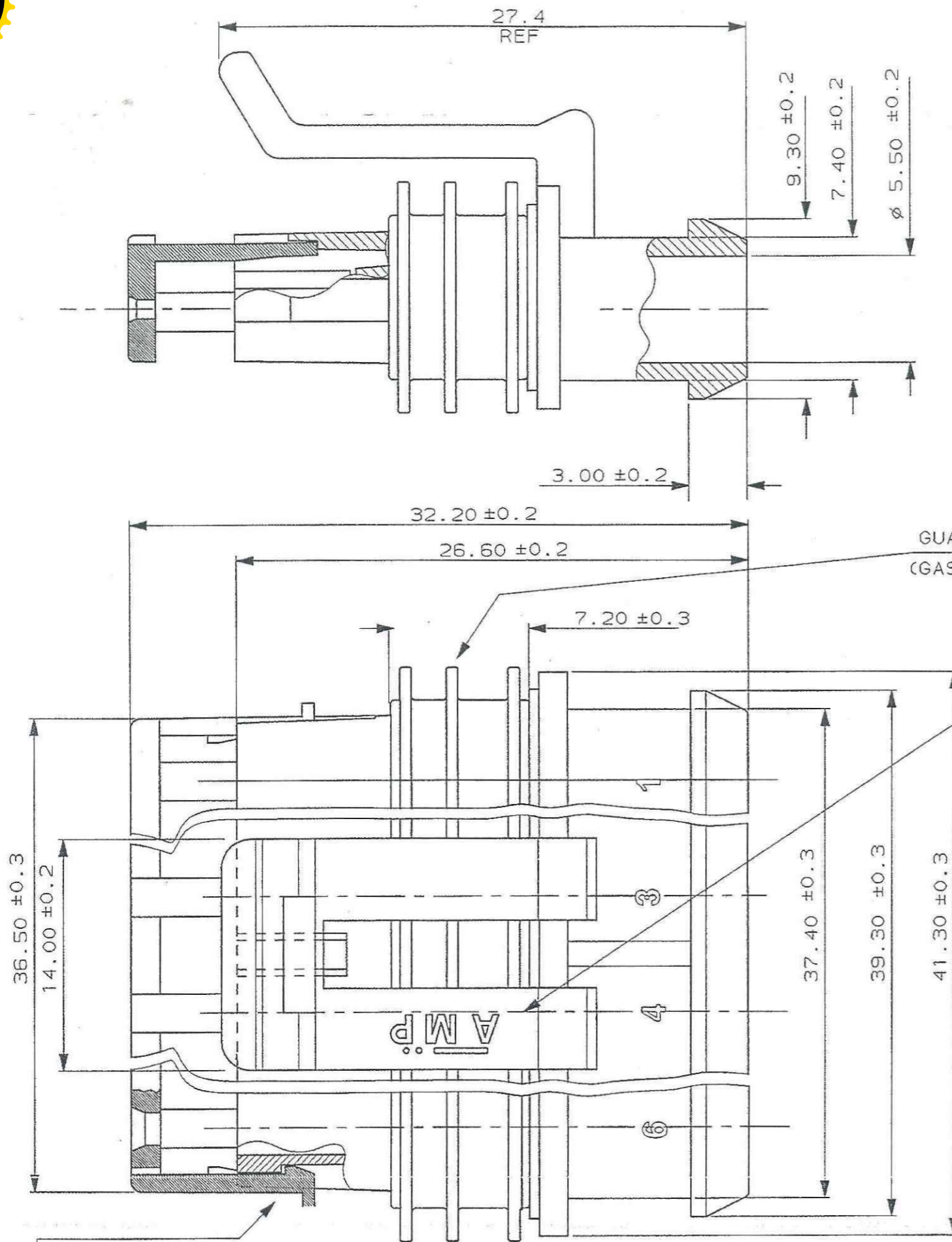
AMP SUPERSEAL 1.5 SRS.
3 POSITIONS PLUG ASS'Y

SIZE	CAGE CODE	DRAWING NO	RESTRICTED TO
A300779	C=282087		

Customer Drawing SCALE 5:1 SHEET 1 OF 2 REV C4



SCALA NON IMPEGNATIVA (DO NOT SCALE)
 DIMENSIONI IN mm METRIC
 PROIEZIONE EUROPEA (EUROPEAN PROJECTION)



GUARNIZIONE, GOMMA SILICONICA
 (GASKET, SILICONE RUBBER)

LOGO "AMP"
 ("AMP" TRADE MARK)

*Drawing replaced by
 C-282090 Rev E3*

1) PER RAPPRESENTAZIONE DIMA CONTROPARTE
 VEDERE FOGLIO 2 DI 2.
 (FOR COUNTERPART DETAIL SEE SHEET 2 OF 2)

AGGANCIO SECONDARIO, COLORE BIANCO, PRE-ASSEMBLATO
 (SECONDARY LOCK, WHITE COLOUR, IN PRE-ASSEMBLED POSITION)

BIANCO (WHITE)	PA 6.6 - GF20%	1745085-1
FINITURA / COLORE (FINISH / COLOUR)	ACC. TO IEC 60335-1	NUMERO (PART NUMBER)
MATERIALE (MATERIAL)		

CUSTOMER DWG. FOR REFERENCE ONLY
 DISEGNO PER CLIENTE SOLO PER RIFERIMENTO

THIS DRAWING IS UNPUBLISHED - RELEASE FOR PUBLICATION 19
 © COPYRIGHT 19 BY AMP INCORPORATED, HARRISBURG, PA. ALL INTERNATIONAL RIGHT RESERVED. AMP PRODUCTS MAY BE COVERED BY U.S. AND FOREIGN PATENT AND/OR PATENT PENDING

TOLLERANZE: SE NON DIVERSAMENTE SPECIFICATO (TOLERANCES, UNLESS OTHERWISE SPECIFIED)	DIAM. ISOLANTE (INS. DIA. RANGE)	RANGO FILO (WIRE RANGE)	SCALA (SCALE)
± 0.3	-	-	-

ANGOLI (ANGLES) (CR.) ± 2°
 DIS. M. PALMA (CR.) 11-4-2006
 CONT. R. MARTINI (CHK) 11-4-2006

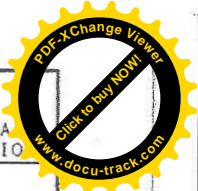
tyco AMP ITALIA S.p.A.
 Corso F.lli Cervi, 15 COLLEGNO (TORINO)

DESCRIZIONE (DESCRIPTION) 6 POS. PLUG ASS'Y
 AMP SUPERSEAL 1.5 SERIES CONNECTORS

REV. A1	RELEASED FOR PRODUCTION (ECR-06-028933)	M. G.	8-12-06	CONT. R. MARTINI (CHK) 11-4-2006
REV. A	FIRST ISSUE	M. P.	11-04-06	
REV.	REVISIONI (REVISION RECORD)	DIS. (DR)	DATA (DATE)	APP. (APP.)
				APP. A. GENTA (APP.) 11-4-2006

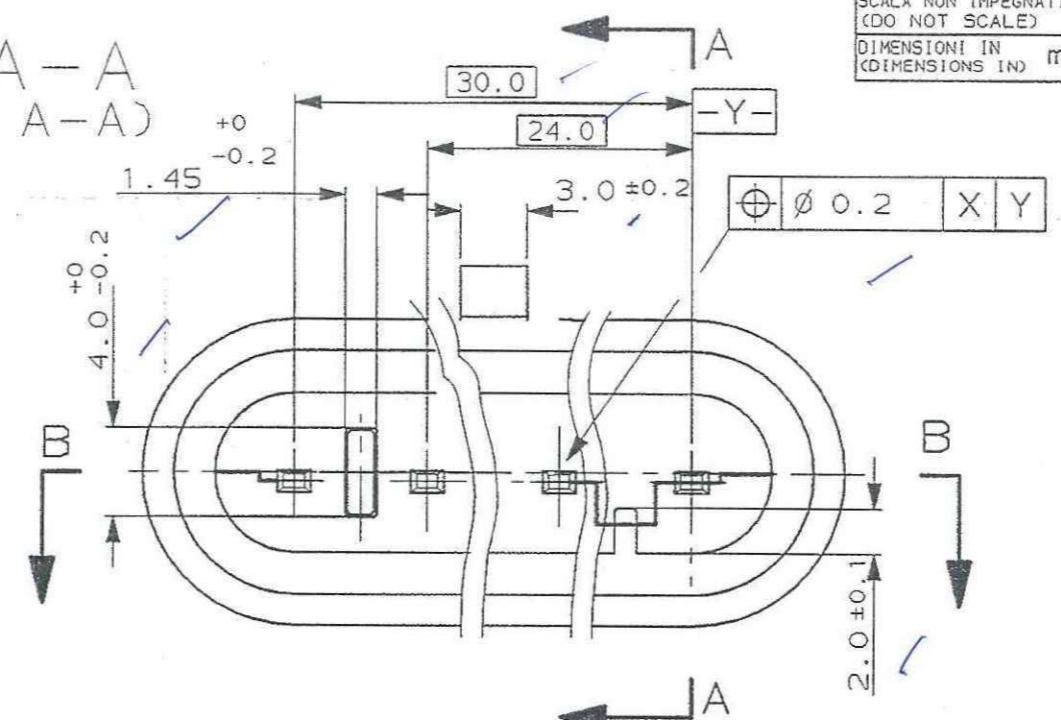
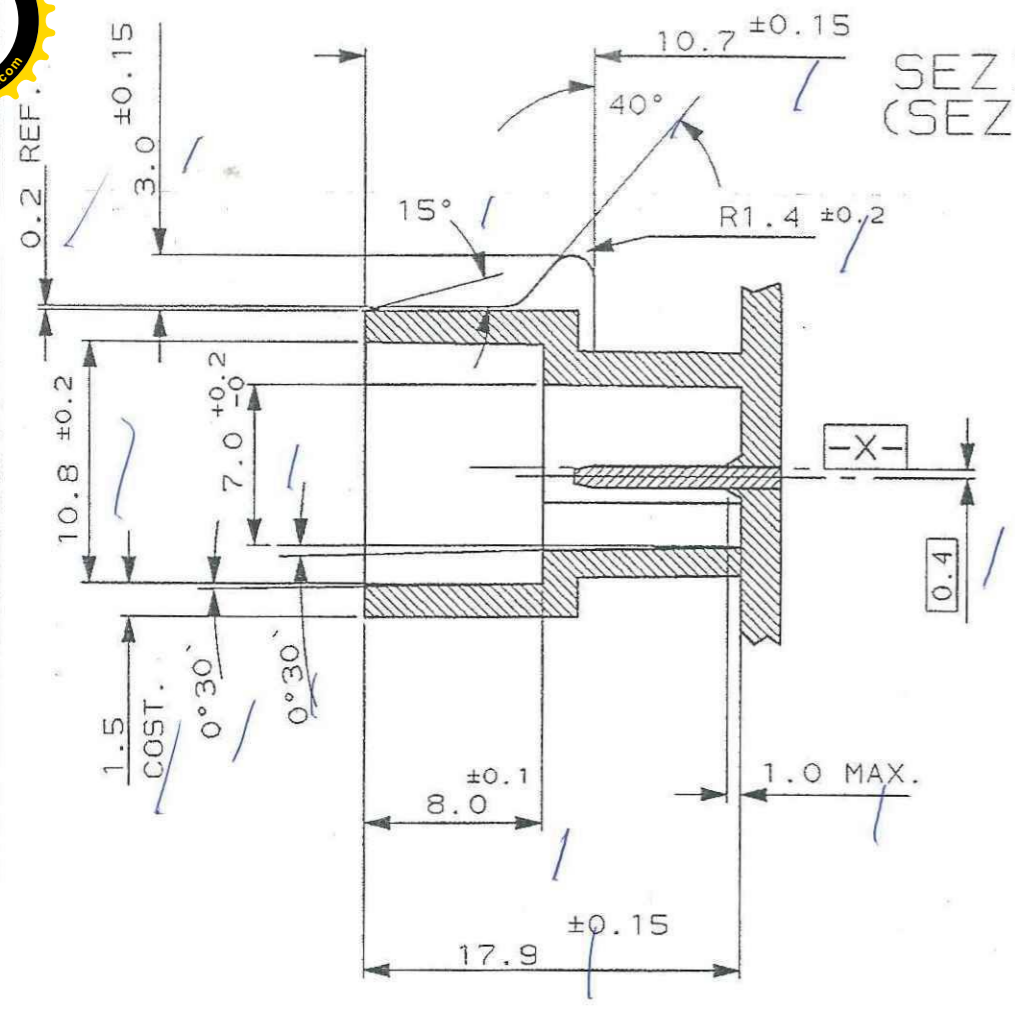
LOC. I	SIZE A3	NUMERO (DWG NO) C-1745085	REV. A1	FOGLIO (SHEET) 1 DI (OF) 2
--------	---------	---------------------------	---------	----------------------------

DISTRIBUZIONE (PRINT DIST.)

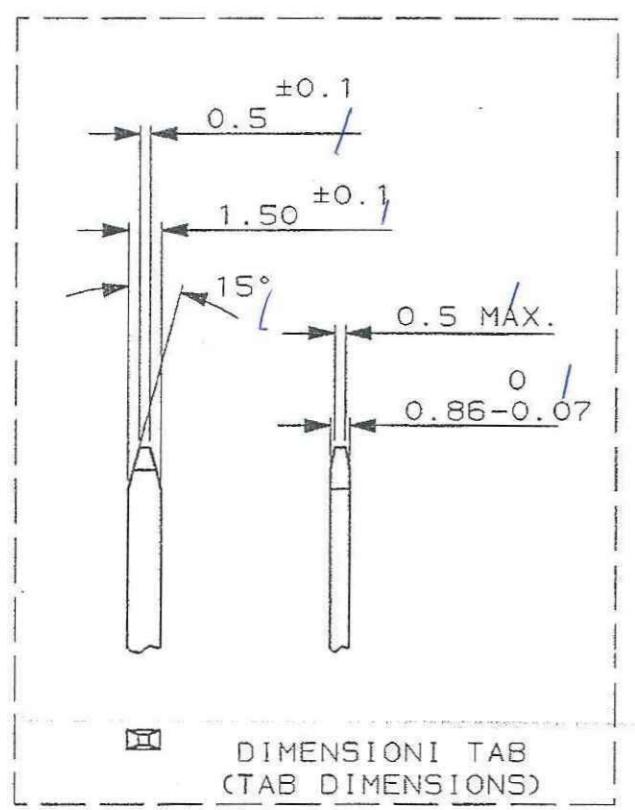
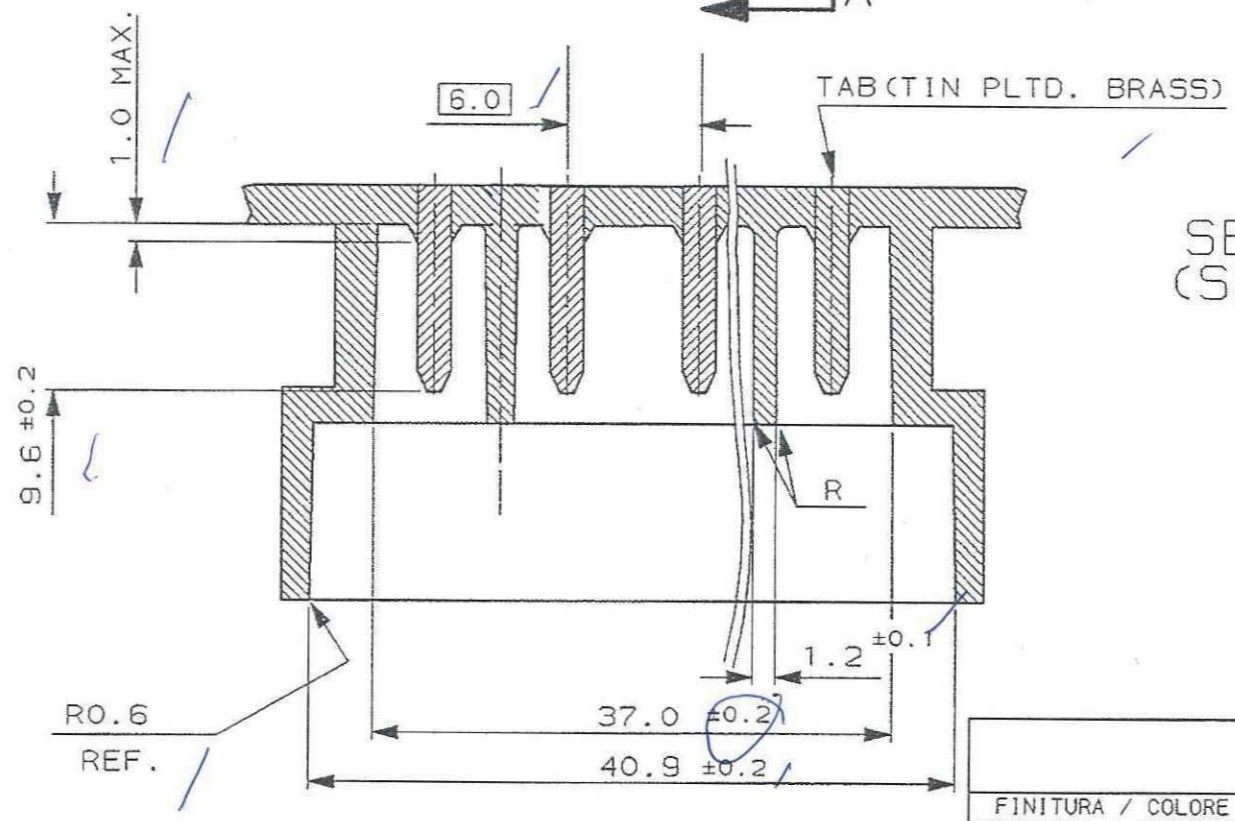


SCALA NON IMPEGNATIVA (DO NOT SCALE)
 DIMENSIONI IN mm
METRIC
 PROIEZIONE EUROPEA (EUROPEAN PROJECTION)

SEZIONE A-A
 (SEZIONE A-A)

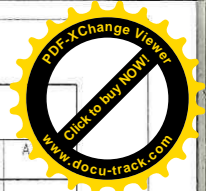
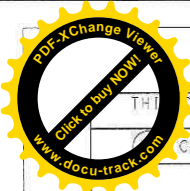


SEZIONE B-B
 (SEZIONE B-B)

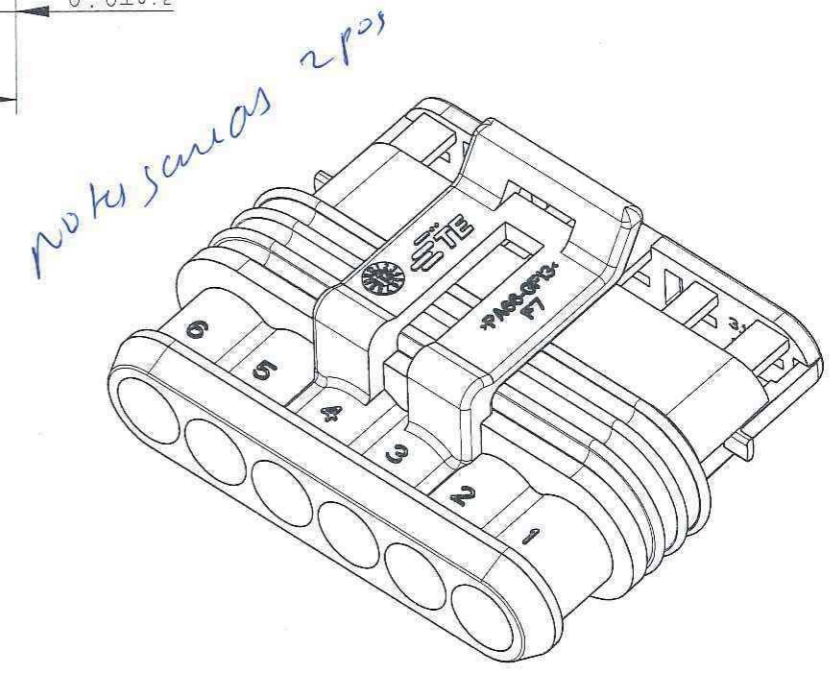
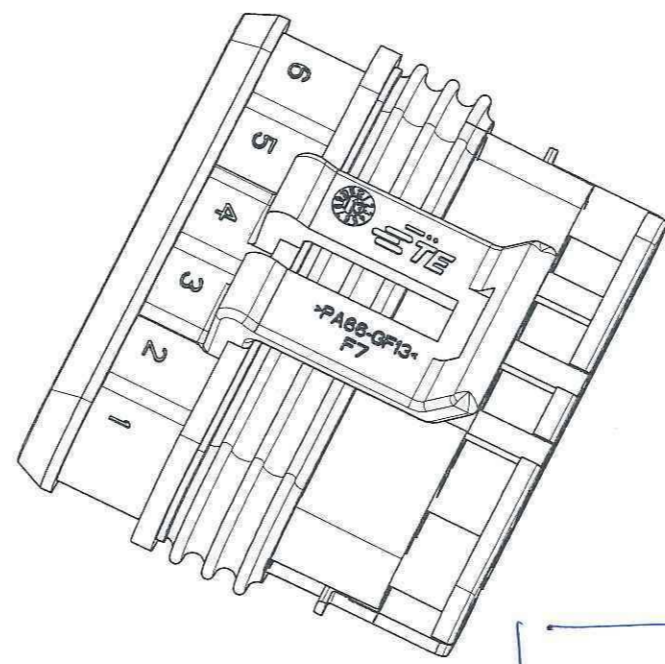
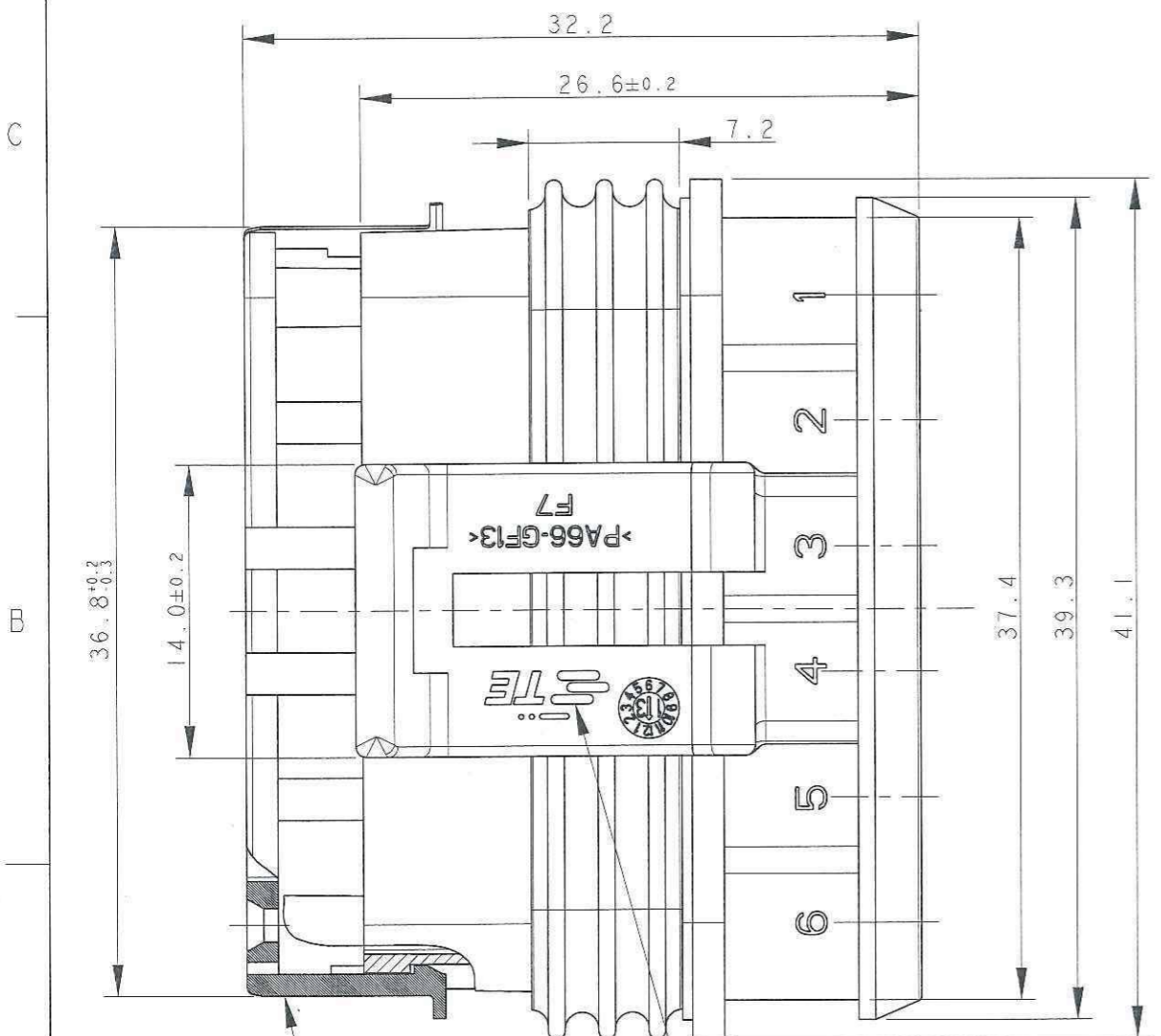
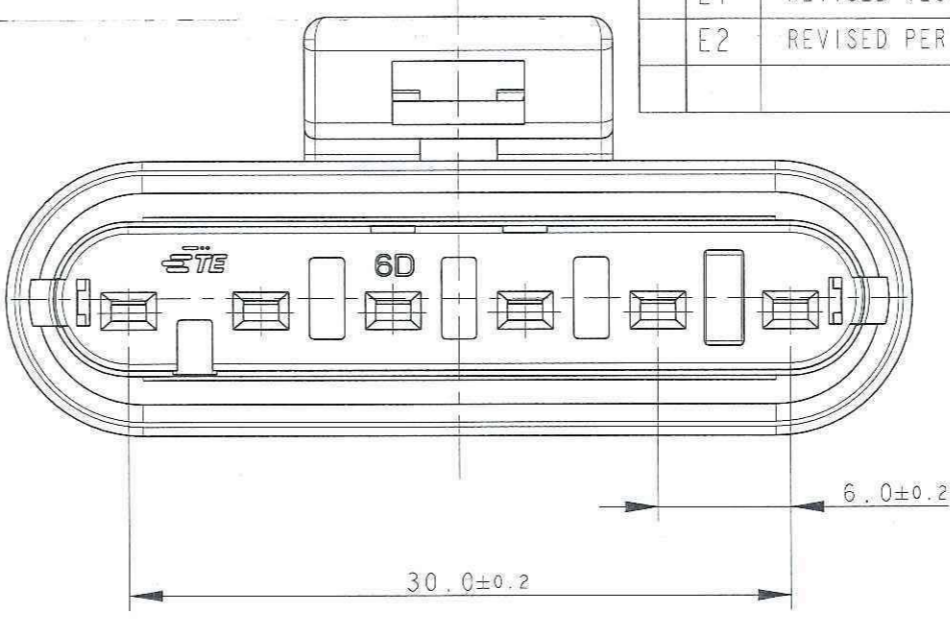
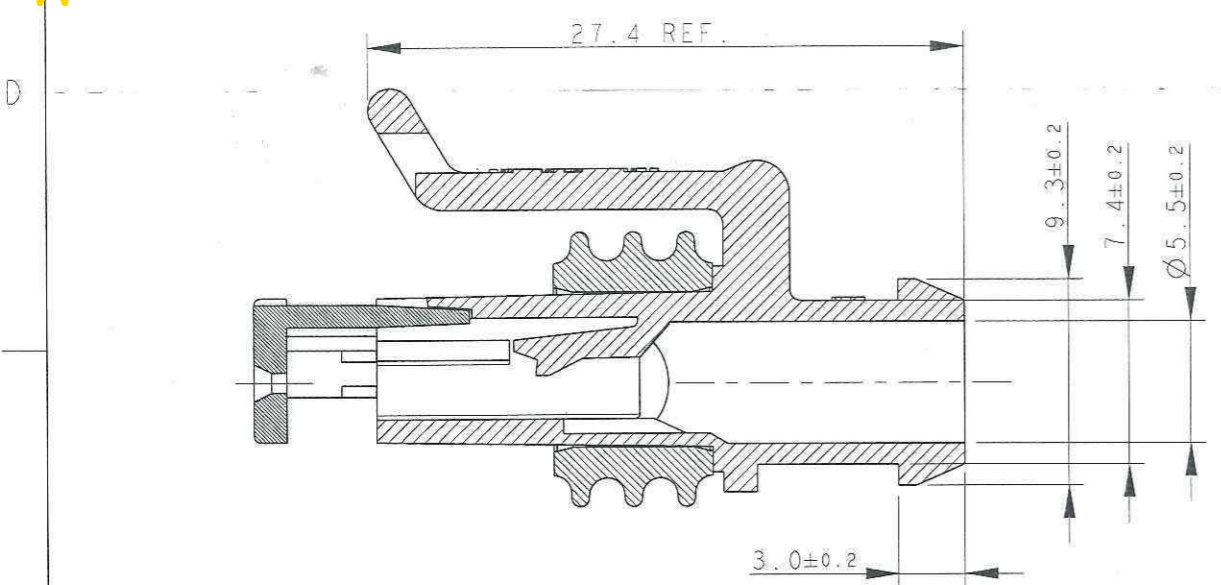


PA 6.6 - GF FILLED ACC. TO IEC 60335-1		NUMERO (PART NUMBER)	
FINITURA / COLORE (FINISH / COLOUR)		MATERIALE (MATERIAL)	
CUSTOMER DWG. FOR REFERENCE ONLY		DISEGNO PER CLIENTE SOLO PER RIFERIMENTO	
THIS DRAWING IS UNPUBLISHED		RELEASE FOR PUBLICATION 19	
© COPYRIGHT 19 BY AMP INCORPORATED, HARRISBURG, PA. ALL INTERNATIONAL RIGHT RESERVED. AMP PRODUCTS MAY BE COVERED BY U.S. AND FOREIGN PATENT AND/OR PATENT PENDING			
TOLLERANZE: SE NON DIVERSAMENTE SPECIFICATO (TOLERANCES, UNLESS OTHERWISE SPECIFIED)		SCALA (SCALE)	
± 0.3		-	
ANGOLI (ANGLES) ± 2°		-	
DIS. M. PALMA (DR.) 11-4-2006		DESCRIZIONE (DESCRIPTION) COUNTERPART FOR 6 POS. REC. HSG. ASSY	
CONT. R. MARTINI (CHK) 11-4-2006		LOC. SIZE NUMERO (DWG NO.) I A3 C-1745085	
APP. A. GENTA (APP.) 11-4-2006		REV. FOGLIO (SHEET) A1 2 OF 2	
REV. (REV.)	REVISIONI (REVISION RECORD)	DIS. DATA (DR. DATE)	

DISTRIBUZIONE (PRINT DIST.)



P	LTR	DESCRIPTION	DATE	DWN	A
E		ECR-14-009314	24MAR2015	M. P.	M. G.
E1		REVISED (ECR-15-014031)	25SEP2015	M. G.	M. G.
E2		REVISED PER ECO-17-001706	10FEB2017	C. A.	M. G.



1) FOR COUNTERPART DETAILS, SEE SHEET 2 OF 2

NOTE	FINISH/COLOR	MATERIAL	PART NUMBER
	Black SR-red	HOUSING+SEC. LOCK: PA66-GF SEALING: LSR	282090-1

TE CONNECTIVITY TRADE MARK, (IN ALTERNATIVE: "AMP" LOGO, OR "Tyco Electronics" LOGO)
SEALING (COLOUR YELLOW)
PRE-ASSEMBLED SECONDARY LOCK (COLOUR RED)

THIS DRAWING IS A CONTROLLED DOCUMENT.		DWN C. BERTINI 05-1992	STE TE Connectivity	
		CHK A. BRUNI 05-1992		
DIMENSIONS: mm	TOLERANCES UNLESS OTHERWISE SPECIFIED:	APVD	NAME	
	0 PLC ± 1 PLC ±0.3 2 PLC ± 3 PLC ± 4 PLC ± ANGLES ±2°	PRODUCT SPEC 108-20090	AMP SUPERSEAL 1.5 SRS. 6 POSITIONS PLUG ASS'Y	
MATERIAL	FINISH	APPLICATION SPEC 412-20000	SIZE A300779	CAGE CODE C=282090
SEE TABLE	SEE TABLE	WEIGHT 6.55gr	RESTRICTED TO	
Customer Drawing			SCALE 3:1	SHEET 1 OF 2
			REV E2	