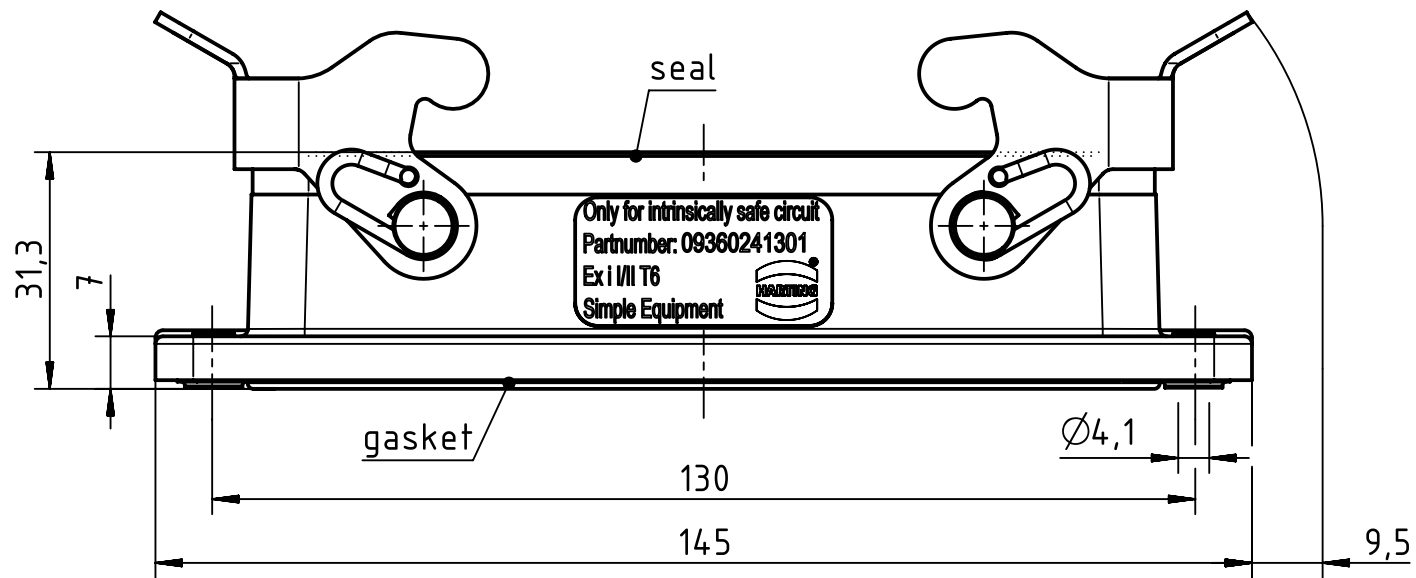
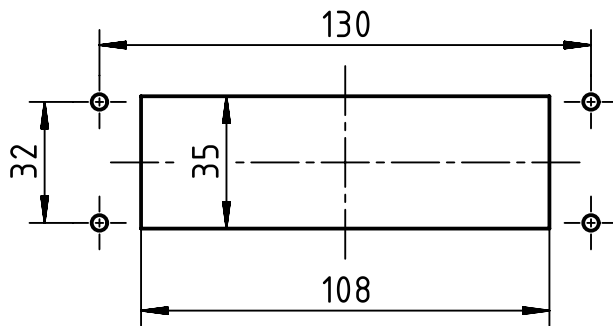


panel cut out (1:2)



Only for intrinsically safe circuit
 Partnumber: 09360241301
 Ex i / II T6
 Simple Equipment



	All rights reserved Department EL PD - CN HARTING Electric GmbH & Co. KG D-32339 Espelkamp	All Dimensions in mm Original Size DIN A4	Scale 1:1	Free size tol.	Ref. Sub.
		Created by LONGL	Inspected by WENE	Standardisation TIEMANNA	Date 2017-06-02
Title Han B Base Panel Ex i for Double Lever					Doc-Key / ECM-Nr. 100589138/UGD/002/B 500000119898
Type TB		Number 09 36 024 1301			Rev. B
					Page 1/1