

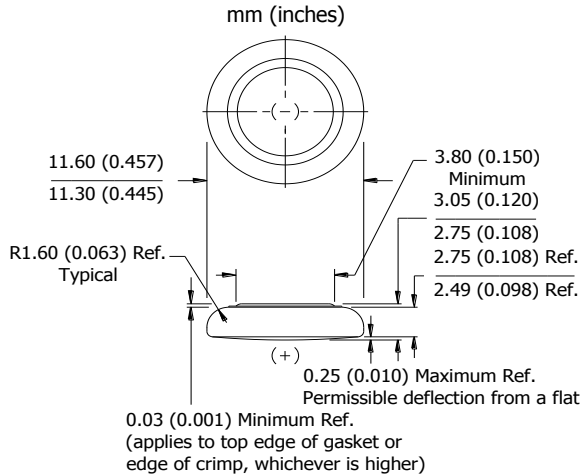
# ENERGIZER 390/389

**ZERO**MERCURY™

**SILVER OXIDE**



## Industry Standard Dimensions



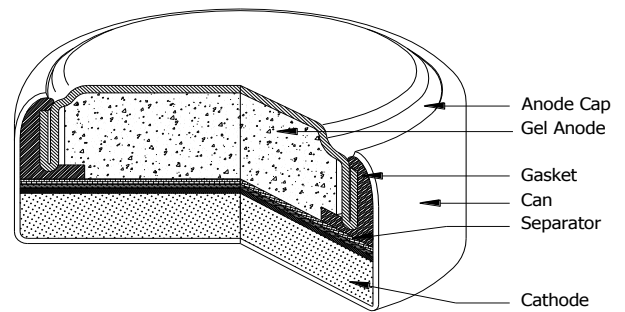
DESIGNED FOR USE ON CONTINUOUS LOW DRAIN  
(HIGH PULSE ON DEMAND)

## Specifications

<b>Chemical System:</b>	Silver Oxide (Zn/Ag <sub>2</sub> O)
<b>Designation:</b>	ANSI-1138SO, IEC-SR54
<b>Nominal Voltage:</b>	1.55 Volts
<b>Typical Capacity:</b>	88 mAh* (to 1.2 volts)
<b>Capacity Test:</b>	15K ohm continuous drain at 21°C
<b>Typical Weight:</b>	1.35 grams (0.048 oz.)
<b>Typical Volume:</b>	0.32 cubic centimeters (0.019 cubic inch)
<b>Impedance (40 Hz):</b>	5 to 10 ohms

\* Varies according to the applied load, temperature, and cutoff voltage.

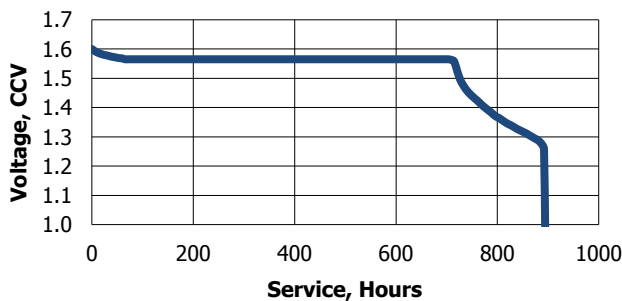
## Cross Section



## Typical Discharge Characteristics

Typical Performance at 21°C (70°F)

**Schedule:** Continuous  
**Typical Drain @1.48V:**  
0.099 milliamperes  
**Load:** 15K ohm

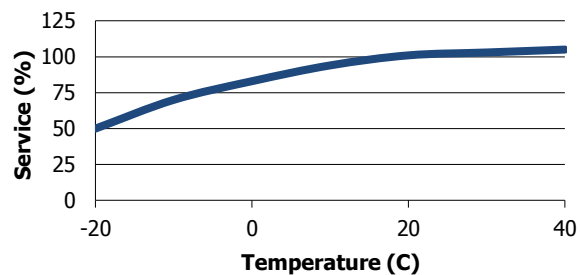


Schedule	Typical Drains at 1.48V (milliamperes)	Load (ohm)	Cutoff (hours)
Continuous	0.099	15K	892

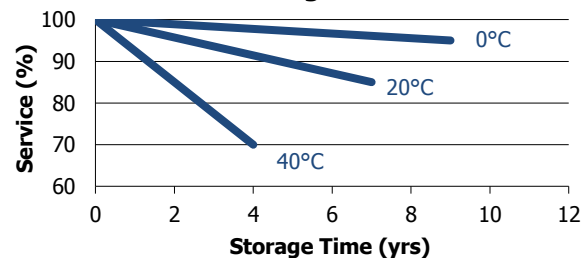
## Temperature Characteristics

Typical Performance at Low Discharge Rates

### Service Effects



### Storage Effects



## Important Notice

This datasheet contains typical information specific to products manufactured at the time of its publication.  
©Energizer Holdings, Inc. - Contents herein do not constitute a warranty.