

HF-Performer III for PL-T/C lamps

HF-P 226 PL-T/C III 220-240V 50/60Hz

HF-Performer III PL-T/C is a sustainable, slim and high-frequency electronic ballast for PL-T and PL-C fluorescent lamps. It is ideal for applications where high energy efficiency is required. The HF-Performer III range has a robust design, meets all relevant international safety and performance standards and is energy efficient (CELMA EEI A2).

Product data

• General Information

Application Code	III
Lamp Type	PL-T/C
Number Of Lamps	2 piece/unit
Number Of Products On MCB (16A Type B) (Nom)	28
Automatic Restart	Yes

• Operating and Electrical

Input Voltage	220 to 240 V
Input Frequency	50/60 Hz
Operating Frequency (Max)	- kHz
Operating Frequency (Min)	42 kHz
Operating Frequency (Nom)	45 kHz
Ignition Method	Warm Start
Crestfactor (Max)	1.7
Power Factor 100% Load (Nom)	0.95
Ignition Time (Max)	0.65 s
Mains Voltage	-8%/+6%
Performance (AC)	-10%/+10%
Mains Voltage Safety (AC)	
Earth Leakage Current (Nom)	0.5 mA
Inrush Current	0.250 ms
Width	
Constant Wattage Deviation	-2%/+2%
Ballast Factor (Nom)	1
Power Losses (Nom)	4.25-3.59 W

Inrush Current Peak (Max) 18 A

• Wiring

Connector Type	Insert
Input Terminals	
Cable Capacity	100 pF
Output Wires Mutual (Nom)	
Connector Type	Insert
Output Terminals	
Cable Length From Device To Lamp	1 m
Cable Length Hot	1 m
Wiring	
Wire Striplength	8.5-9.5 mm
Dual Fixture Master/Slave	Not applicable [Master/Slave oper. not applicable]
Input Terminal Cross Section	0.50-1.50 mm ²
Output Terminal Cross Section	0.50-1.50 mm ²
Cable Capacity	100 pF
Output Wires To Earth (Nom)	

• System characteristics

Rated Ballast-Lamp Power	26 W
Rated Lamp Power On PL-T/C	26 W
System Power On PL-T/C	30.3 W
Power Loss On PL-T/C	4.3 W

PHILIPS

HF-Performer III for PL-T/C lamps

Lamp Power On PL-T/C 26 W

• Temperature

T-Ambient (Max)	50 °C
T-Ambient (Min)	-25 °C
T-Storage (Max)	80 °C
T-Storage (Min)	-40 °C
T-Case Lifetime (Nom)	75 °C
T-Case Maximum (Max)	75 °C
T-Ignition (Max)	50 °C
T-Ignition (Min)	-25 °C

• Mechanical and Housing

Housing S 103x67x30

• Emergency Operation

Nominal Light Output After 60 Seconds	100% of EBLF
Battery Voltage Lamp Ignition	198-254 V
Normal Operating Voltage (DC)	220-240 V
Battery Voltage Lamp Operation	176-254 V
Battery Voltage Guaranteed Operation	176-275 V
Battery Voltage Guaranteed Ignition	186-275 V
Nominal Light Output After 5 Seconds	50% of EBLF

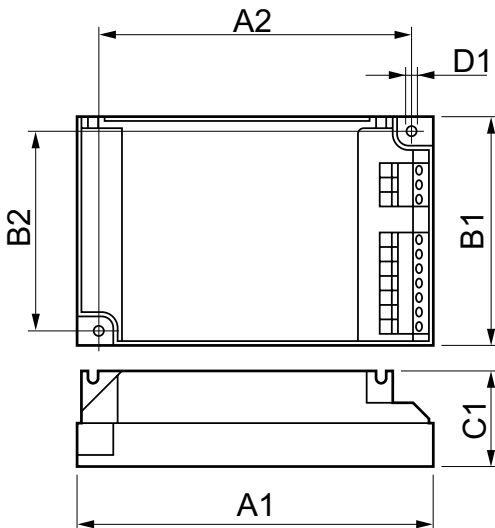
• Approval and Application

Energy Efficiency Index	A2
EMI 9 kHz ... 30 MHz	EN55015
Safety Standard	IEC 61347-2-3
Performance Standard	IEC 60929
Quality Standard	ISO 9000:2000
Environmental Standard	ISO 14001
Harmonic Current Emission Standard	IEC 61000-3-2
Emc Immunity Standard	IEC 61547
Vibration Standard	IEC 68-2-6 Fc
Bumps Standard	IEC 68-2-29 Eb
Humidity Standard	EN 61347-2-3 clause 11
Temperature Marking	Yes
Emergency Standard	IEC 60598-2-22
Hum And Noise Level	Inaudible

• Product Data

Full product code	872790083423900
Order product name	HF-P 226 PL-T/C III 220-240V 50/60Hz
EAN/UPC - Product	8711500881052
Order code	913700648866
Numerator - Quantity Per Pack	1
Numerator - Packs per outer box	12
Material Nr. (12NC)	913700648866
Net Weight (Piece)	0.130 kg

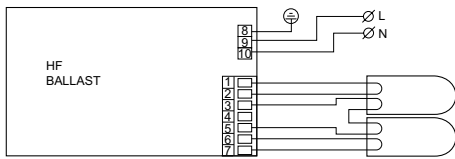
Dimensional drawing



HF-P 226 PL-T/C III 220-240V 50/60Hz

Product	D1	C1	A1	A2	B1	B2
HF-P 226 PL-T/C III 220-240V 50/60Hz	4.2 mm	30.0 mm	103.8 mm	93.5 mm	67.8 mm	57.5 mm

Dimensional drawing



© 2015 Koninklijke Philips N.V. (Royal Philips)
All rights reserved.

Specifications are subject to change without notice. Trademarks are the property of Koninklijke Philips N.V. (Royal Philips) or their respective owners.

www.philips.com/lighting

2015, December 24
data subject to change