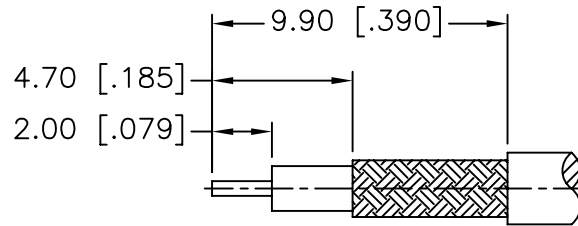
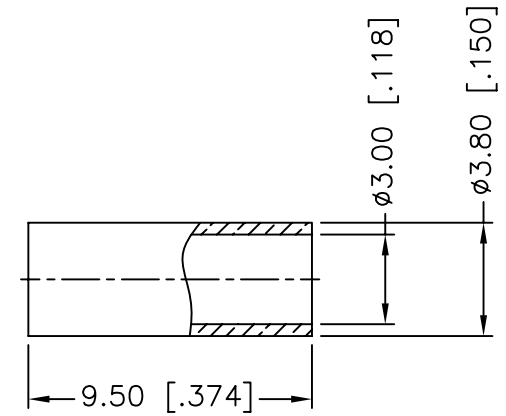
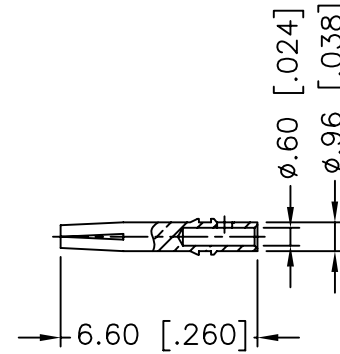
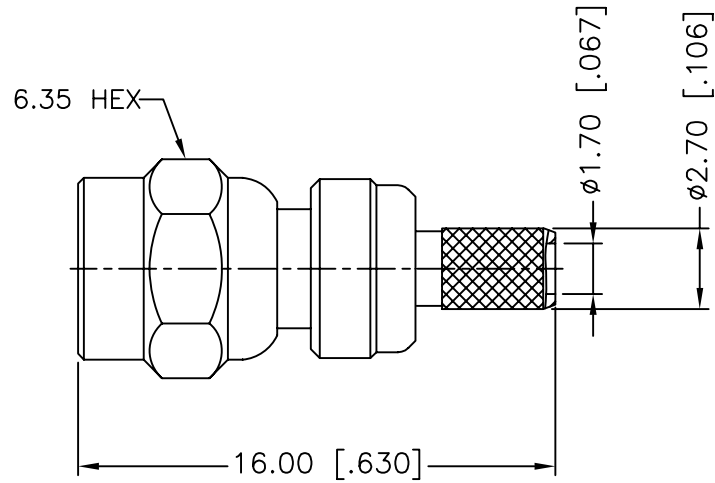
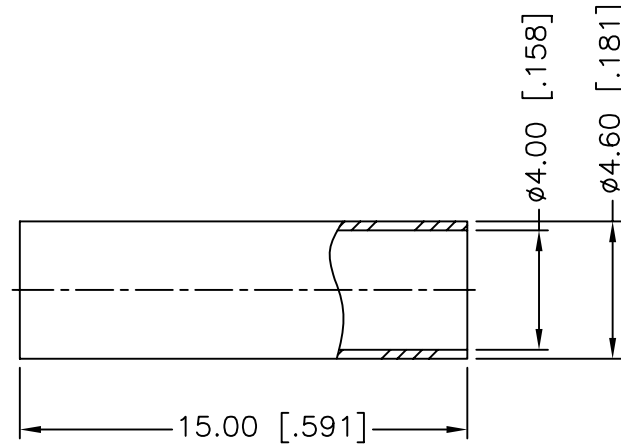


REV.	DATE	ECR NO.	DESCRIPTION
NC	08/19/09	XXXXXX	INITIAL RELEASE



RECOMMENDED  
CABLE STRIPPING DIM'S



- NOTES:
1. CRIMPED FERRULE  
HEX CRIMP SIZE .128"
  2. CONTACT PIN TO SOLDER

QTY	DESCRIPTION	MATERIAL	FINISH
8	HEAT SHRINK TUBING		
7	FERRULE	COPPER	NICKEL
6	CONTACT PIN	BERYLLIUM COPPER	GOLD
5	BARREL	BRASS	NICKEL
4	INSULATOR	PTFE	NATURAL
3	INSULATOR	PTFE	NATURAL
2	BODY	BRASS	NICKEL
1	SHELL	BRASS	NICKEL

UNLESS OTHERWISE SPECIFIED DIMENSIONS ARE IN MILLIMETERS. DIMENSIONS IN [ ] ARE IN INCHES AND FOR CUSTOMER REFERENCE ONLY.

UNLESS OTHERWISE SPECIFIED TOLERANCES FOR MILLIMETERS ARE:  
0.5 - 8mm ± 0.20mm  
8 - 30mm ± 0.40mm  
30 - 120mm ± 0.50mm

UNLESS OTHERWISE SPECIFIED TOLERANCES FOR INCHES ARE:  
.020 - .315 = ± 0.007"  
.315 - 1.180 = ± 0.015"  
1.180 - 4.724 = ± 0.020"

DO NOT SCALE DRAWING

APPROVALS	DATE
DRAWN J.CHENG	08/19/09
CHECKED	
ISSUED	
SHEET 1 OF 1	
CAD FILE C:/CONNEX/152101.DWG	

<h1>Amphenol Connex</h1>			
PART DESCRIPTION <b>SMC CRIMP PLUG (FOR RG-174/U, 188A/U, 316/U)</b>			
PART NO. <b>152101</b>			
DWG. NO.	152101.DWG	REV.	NC
SIZE	A	SCALE	NA