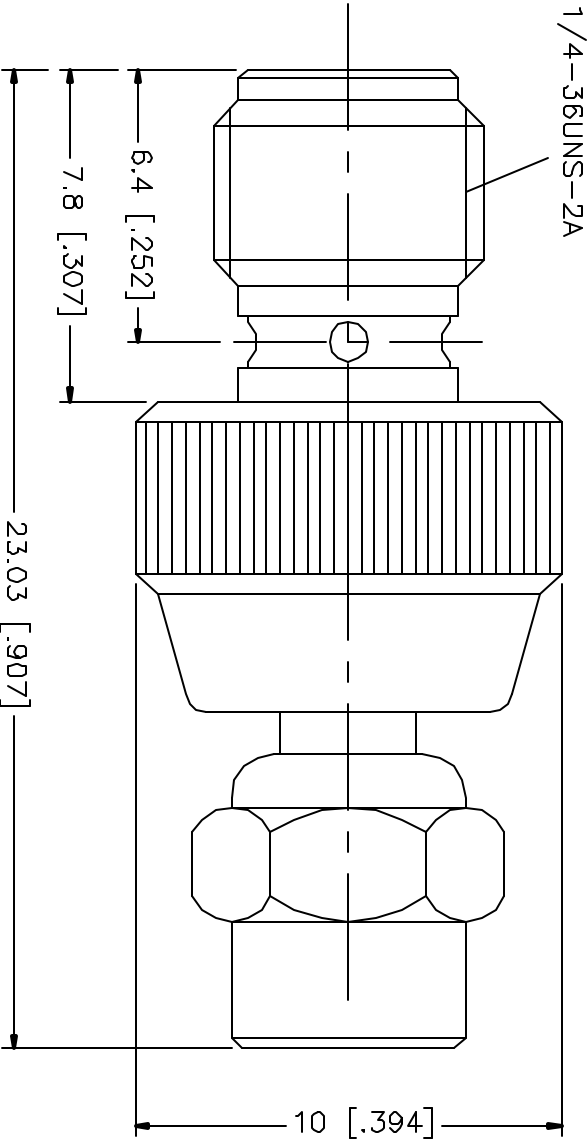


REV.	DATE	DESCRIPTION
NC	10/31/01	INITIAL RELEASE



8				UNLESS OTHERWISE SPECIFIED DIMENSIONS ARE IN MILLIMETERS		APPROVALS	DATE	<b>comnex</b> Connector Corporation SMA JACK TO SMC PLUG ADAPTOR			
7				DIMENSIONS IN [ ] ARE IN INCHES FOR CUSTOMER REFERENCE ONLY		DRAWN	10/31/01				
6				UNLESS OTHERWISE SPECIFIED TOLERANCES FOR MILLIMETERS ARE		CHECKED					
5				0.5-6 = ± 0.2 6-30 = ± 0.4 30-120 = ± 0.6 120-315 = ± 1 315-1000 = ± 1.6 1000-2000 = ± 2.4		ISSUED					
4								SIZE	FSCM NO	DWG NO	REV.
3	CONTACT PIN	BER COPPER	GOLD					A	99001	242175.DWG	NC
2	INSULATOR	TEFLON	NATURAL					SCALE	NA	PART NO.	
1	BODY	BRASS	GOLD					NA	242175		
	DESCRIPTION	MATERIAL	FINISH	DO NOT SCALE DRAWING						SHEET	1 OF 1