



Thump GO

8" Portable Battery-Powered Loudspeaker

So, you need the sound of a powerful, professional loudspeaker with the portability of a boom box? Meet Thump GO; the take-it-anywhere, Bluetooth® equipped, ultra-flexible, battery-powered loudspeaker.

Built to make your life a whole lot easier, Thump GO offers lightning-fast setup and simple-yet-powerful sound processing, plus flexible inputs, Bluetooth® streaming, and wireless control via the Thump Connect 2 app.

Most importantly, Thump GO will amplify the real you with clear, punchy, and accurate sound wherever you call your stage. Take the performance of the renowned Thump Series anywhere, with the Thump GO Portable Battery-Powered Loudspeaker.

APPLICATIONS:

Singer-songwriters, presentation / announcement PA, karaoke / party, clubs / cafés, small restaurants, outdoor events / barbecues, banquet halls, conference rooms, boardrooms, and many, many more.

FEATURES:

- Ultra-efficient 200W Class-D amplifier
- 8" Custom high-output woofer
- 1" Compression driver
- Removable lithium-ion battery (included)
- Tri-color battery life indicator
- Up to 12 hours of battery life
- Bluetooth® connectivity for music streaming
- Wireless control via the Thump Connect 2 app
- Link to a second Thump GO via Bluetooth for music playback and control
- 2-channel digital mixer with XLR thru output
- Feedback Eliminator prevents nasty squeals and unwanted rumble
- 4 application-specific speaker modes
- Music Ducking mode automatically lowers Ch.2 level when Ch.1 receives signal
- Indoor / Outdoor voicing modes
- Precision digital crossover and driver alignment
- Smart input and thermal limiters
- Durable, lightweight molded enclosure
- 45-degree monitor angle
- Built-in pole mount
- Rugged powder coated steel grille
- Weight: 17.6 lb / 8 kg
- Dimensions (H x W x D): 18 x 9.1 x 11.2 in / 457 x 230 x 285 mm

THUMP GO SPECIFICATIONS

Acoustic Performance

Frequency Response (-10 dB)	50 Hz – 20 kHz
Frequency Response (-3 dB)	57 Hz – 20 kHz
Horizontal Coverage	90°
Vertical Coverage	60°
Maximum SPL Peak	115 dB
Monitor Angle	45°

Transducers

Low Frequency	8 in / 203 mm with ferrite
High Frequency	1.0 in / 25 mm polymer compression driver

Power Amplifiers

System Power Amplification Rated Power	200 watts peak
Low Frequency Power Amplifier Rated Power	175 watts peak
Rated THD	<1%
Cooling Design	Convection Class D
High Frequency Power Amplifier Rated Power	25 watts peak
Rated THD	<1%
Cooling Design	Convection Class D

System Processing

Voicing	Four speaker modes
---------	--------------------

Input / Output

Input Type	2x Female XLR & 1/4" Balanced TRS combo jack • 1/8" TRS • Bluetooth
Mic-Line Impedance	20 k Ω balanced
1/4" TRS / XLR Impedance	20 k Ω balanced
Output Type	Male XLR Balanced [Thru]
Thru Impedance	150 Ω balanced

Bluetooth Information

Bluetooth Protocol	5.0
Bluetooth Function	Audio Streaming and User Interface Control

Electronic Crossover

Crossover Type	24 dB / octave
Crossover Frequency	2.2 kHz

Line Input Power

Detachable line cord	100 – 240 VAC, 50 – 60 Hz, 75W
AC Connector	3-Pin IEC 250 VAC, 10 A male
Power Supply Type	Switchmode

Safety Features

Input Protection	Peak and RMS limiting, power supply and amplifier thermal protection
Display LEDs	Voicing Mode, Outdoor Mode, Music Ducking, Feedback Eliminator, Front LED, Bluetooth Status, Link Status, Overload, Battery Level

Battery Information

Battery Type	Lithium Ion
Battery Life	Up to 12 hours
Charge Time	3 hours (no signal) 4 hours (with signal)

Construction Features

Basic Design	Asymmetrical
Enclosure Material	Polypropylene
Enclosure Finish	Black, textured finish
Grille Material	Perforated metal w/weather-resistant coating
Grille Finish	Powder-coated black
Handles	One
Operating Temperature	0 – 40 °C 32 – 104 °F

THUMP GO SPECIFICATIONS CONTINUED...

Mounting Methods

Floor mount or pole mount via the built-in socket on the bottom of the cabinet [Be sure the pole is capable of supporting the weight of the Thump GO].

They are NOT designed to be suspended. The cabinet has no rigging points and is not suitable for rigging. Never attempt to suspend a Thump GO by its handle.

Physical Properties (product)

Height:	18.0 in / 457 mm
Width:	9.1 in / 230 mm
Depth:	11.2 in / 285 mm
Weight:	17.6 lb / 8.0 kg

Physical Properties (packaged product)

Height:	21.1 in / 536 mm
Width:	12.0 in / 305 mm
Depth:	14.6 in / 371 mm
Weight:	20.9 lb / 9.5 kg

Options

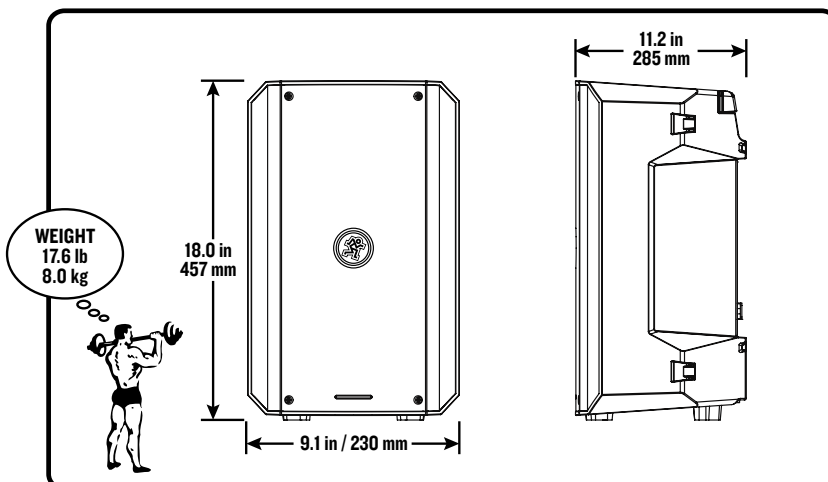
Thump GO Bag	P/N 2053622
Replacement Battery	P/N 2053625
T100 Loudspeaker Tripod Stand	P/N 2052464
SPM400 Loudspeaker Pole Mount	P/N 2051055

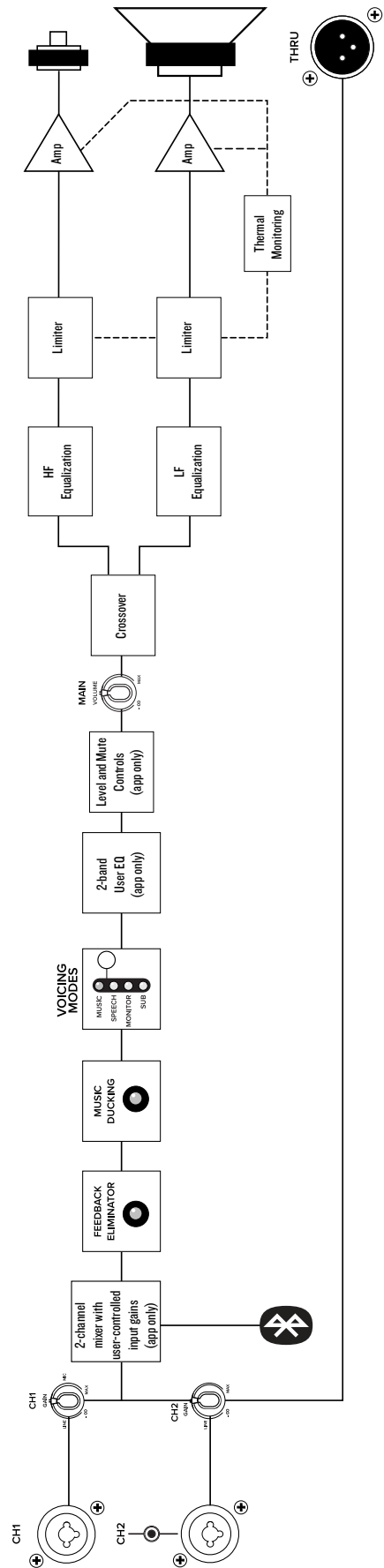
Ordering Information

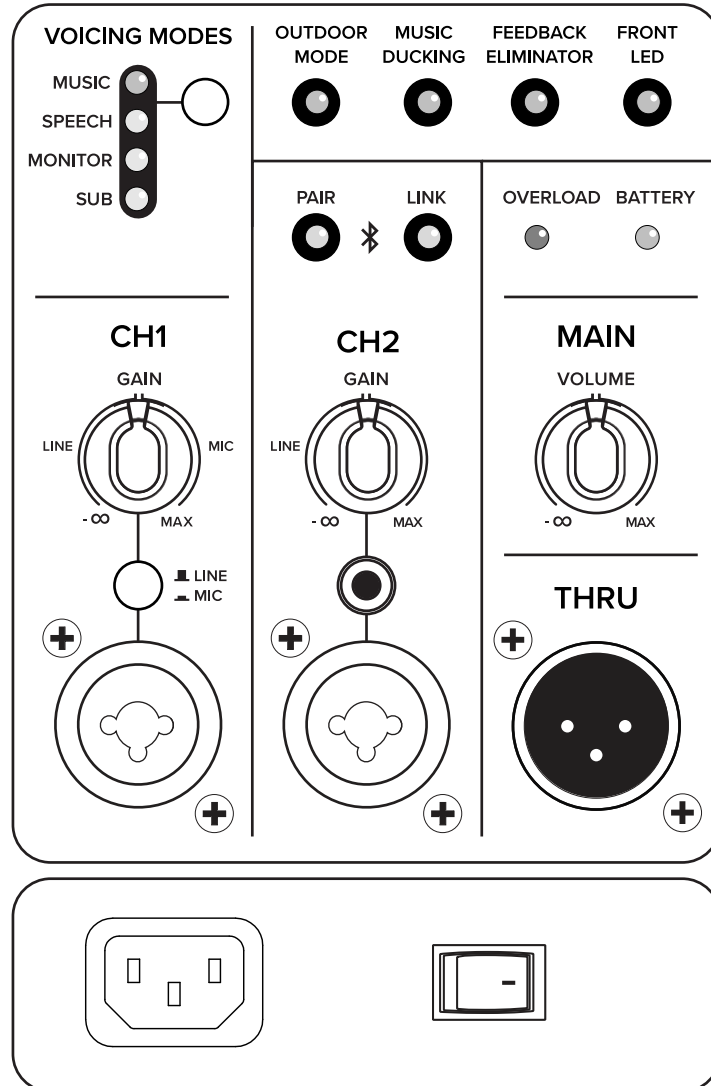
Thump GO – 8" Portable Battery-Powered Loudspeaker US

	P/N 2053605-00 (US)
	P/N 2053605-01 (EU)
	P/N 2053605-03 (UK)
	P/N 2053605-04 (AU)
	P/N 2053605-05 (CN)
	P/N 2053605-06 (BZ ~120V)
	P/N 2053605-07 (AR)
	P/N 2053605-08 (KR)

THUMP GO DIMENSIONS



THUMP GO BLOCK DIAGRAM


THUMP GO REAR PANEL


Electronic files for this product are available at:
www.mackie.com

Specification Sheet	THUMP_GO_SS.PDF
Owner's Manual	THUMP_GO_OM.PDF

LOUD Audio, LLC. is always striving to improve our products by incorporating new and improved materials, components, and manufacturing methods. Therefore, we reserve the right to change these specifications at any time without notice.

"Mackie" and the "Running Man" figure are registered trademarks of LOUD Audio, LLC. All other brands mentioned are trademarks or registered trademarks of their respective holders, and are hereby acknowledged.