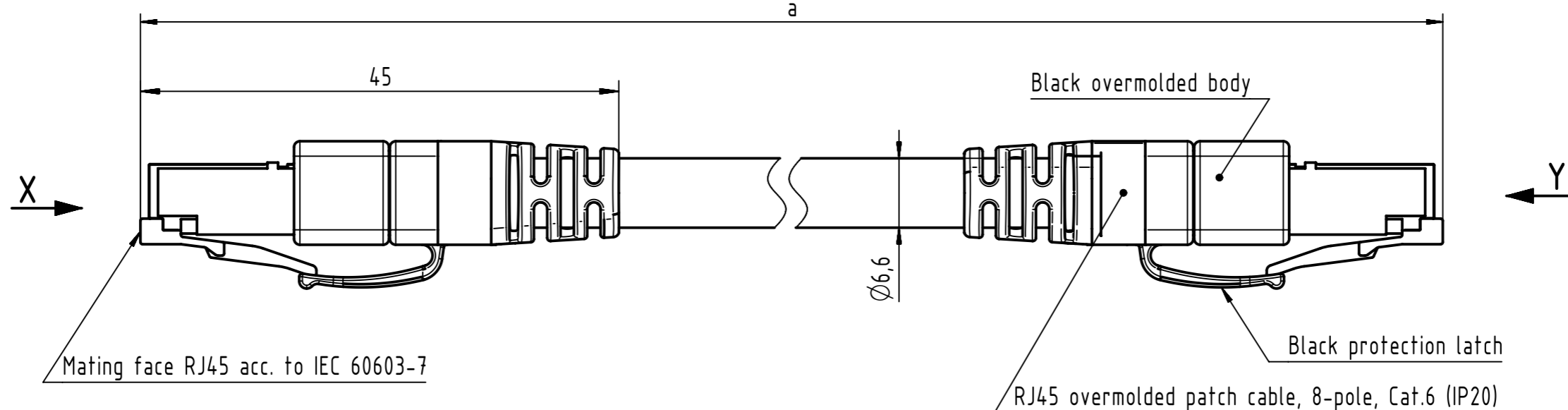


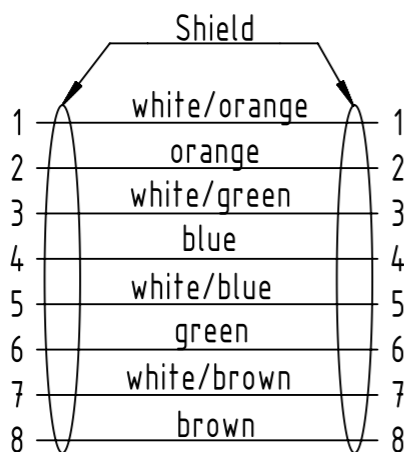
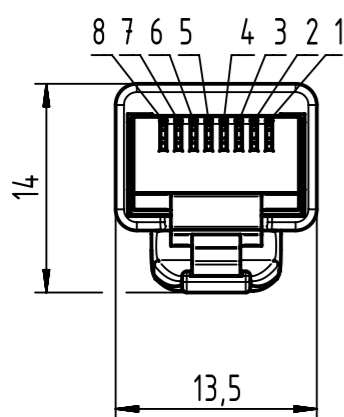
Connector Location A

Connector Location B

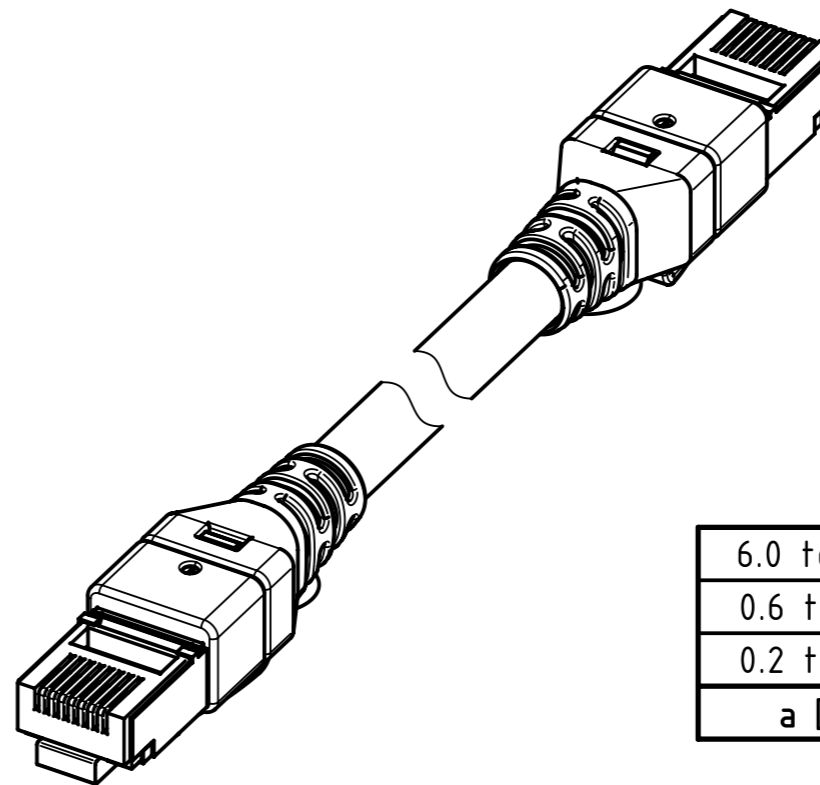
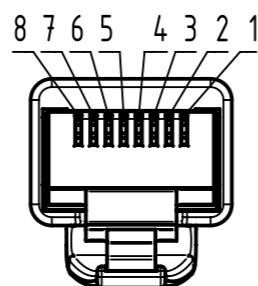


Loading-Plan  
acc. to TIA/EIA 568B

X  
male



Y  
male



length in "1m" step	100	XXX=000
	99	XXX=990
	12	XXX=120
	11	XXX=110
length in "0.1m" step	10	XXX=100
	9.9	XXX=099
	9.8	XXX=098
	0.5	XXX=005
	0.4	XXX=004
	0.3	XXX=003
	0.2	XXX=002
Step	a [m]	XXX

6.0 to 100	±1%
0.6 to 5.9	+0.04
0.2 to 0.5	+0.02
a [m]	Tolerance

4x2xAWG 26/7 PIMF GN Cat. 6A	09484747766XXX
Type of cable	Part no.

- Temperature range: -20°C ... +70°C

NOTE:

For lengths < 1.0m:

- relative positioning of the connectors to each other shall be as presented in the drawing, however with an admissible angular deviation around cable axis of ± 30°

For lengths ≥ 1.0m:

-relative positioning of the connectors to each other not obligatory

	All rights reserved Department HCS - RO	Created by MUNTEANV	Inspected by POPESCU	Standardisation AVRAM	Date 2016-09-09	State Final Release	
	Title RJ Industrial Cable Assembly					Doc-Key / ECM-Nr. 100170398/UGD/014/C 500000108709	
HARTING Customised Solutions D-32427 Minden		Type TB	Number 09484747766XXX			Rev. C	Page 1/1