

Subrack conversion kit 6 U/84 HP

- Type A for all europac subracks except for europac lab special and europac lab HF
- Type B with notch for subracks europac lab special and europac lab HF
- Subdivision of the mounting height into
 - 2 × 3 U areas and
 - 1 × 6 U areas
- For single-height euroboard 100 mm high and double-height euroboard 233.4 mm high
- Suitable partial width front panel 6 U/2 HP for covering the splitting extrusion

Pitch T1 : T2 in HP	Order no.	
	anodised 6 U/84 HP	clear chromated 6 U/84 HP
20 : 62	20819-085	20819-110
21 : 61	20819-049	*
40 : 42	20819-086	20819-112
42 : 40	20819-050	20819-113
60 : 22	20819-045	20819-114
63 : 19	20819-051	*

* Available on request

Delivery comprises

Item	Qty	Description	Material	Surface
1	1	Double rail front, centre	Aluminium extrusion	See table
2	1	Double rail rear, centre	Aluminium extrusion	anodised
3	2	Support members	Diecast aluminium	
4	1 Set	Mounting parts		

Delivery: In kit form

6 U/2 HP partial width front panel

- For covering the support member
- Material: Al 2.5 mm

Surface	Order No. (1 piece) (with notch)
anodised, clear	30817-034
anodised, clear, cut edge, clean	30818-701

See also partial width front panel 6 U/2 HP for europac lab HF

Assembly part kit for partial width front panels 6 U/2 HP

Description	Finish/material	Order no. 100 pieces
Collar screw with slot M 2.5 × 11	nickel-plated	21100-379
	black	21100-590
Pozidrive collar screw M 2.5 × 11	nickel-plated	21100-748
	black	21100-749
Washer 2.7	PA-6	21101-121

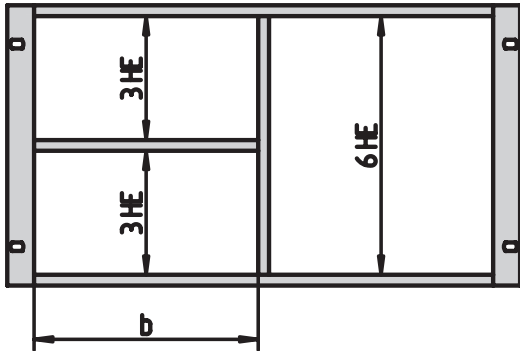
Note: Please order threaded inserts separately



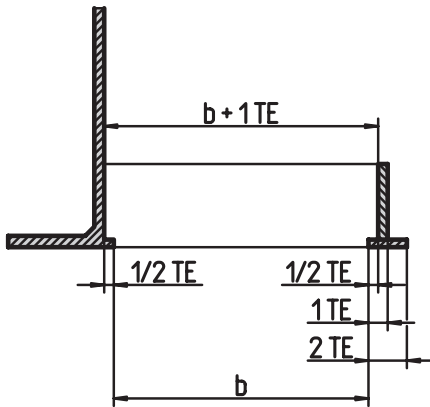
Individual parts 6 U

Shortened horizontal, double horizontal and central rails ("rails" length = required mounting width $w + 1$ HP) see overview
Please order threaded inserts separately

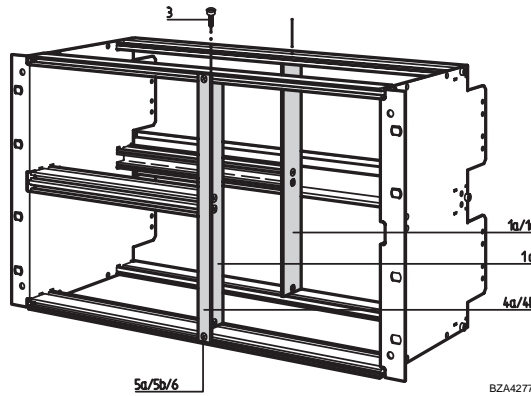
Mounting height 6 U combined



BZA42772



BZA42776



5a/5b/6

BZA42773

Item	Qty	Description	Material/finish	Comments	Order no.
1a	1	Standard support member 6 U	Diecast aluminium	2 support members necessary per subrack	60819-006
1c	1	Support member, depth	Aluminium extrusion, clear chromated		30819-321
2a	100	Pozidrive countersunk screw M 5 × 12	St, zinc-plated	for horizontal rails to support member (item 1a)	21100-234
2c	100	Cheesehead screws with hexagon socket M 5 × 12	St, nickel-plated	for horizontal rails to support member (Pos. 1c)	21100-575
3	100	Cheesehead screws with slot M 2.5 × 12	St, nickel-plated	2 pieces required per support member	21100-148
4a	1	Partial width front panel 6 U/ 2 HP without notch ¹⁾	Al, anodised Aluminium anodised, clear, cut edges plain	Further description see under plug-in units/partial width front panels	30818-741
4b	1	Partial width front panel 6 U/ 2 HP with notch ¹⁾	Al, anodised		30818-747
			Aluminium anodised, clear, cut edges plain		30817-034
			Al/painted, RAL 7032		30818-701
5a	100	Collar screws with slot M 2.5 × 11	nickel-plated black	for mounting partial width front panels (item 4)	30817-033 21100-379 21100-590
5b	100	Pozidrive collar screws M 2.5 × 11	nickel-plated	21100-748	
			black	21100-749	
6	100	Washers 2.7	PA-6		21101-121

¹⁾ For further information see notch

- Horizontal Rails Information2.36.0
- Horizontal Rails Front2.36.4
- Horizontal rail for HL handle2.36.6
- Horizontal Rails Rear/Central.....2.36.6
- Z and perforated rails2.36.11
- T – Insulation Strip2.36.12
- Threaded inserts. 2.36.13
- Board locking.....2.36.14
- Cable channel2.36.14
- Identification strip 84 HP2.36.14
- Identification holder2.36.14
- Adapter brackets 2.36.15
- Device handle2.36.15
- Universal handle .2.36.15
- Subrack conversion kit.....2.36.16
- Subrack conversion kit 6 U/84 HP2.36.17
- 6 U/2 HP partial width front panel2.36.17
- Subdivide Mounting Height 6 U or 9 U. 2.36.18
- Notch.....2.36.21
- Shielding panel ...2.36.22
- Chassis plate2.36.22
- Cover plate 84 HP2.36.23
- Covers on the rear side2.36.24
- Guide rails.....2.36.26
- Printed circuit board accessories2.36.30
- Slide nut.....2.36.32



europac accessories

Case 2.10.0

Subrack 2.20.0

europacPRO 2.21.0

europacPRO integral 2.22.0

europac 2.30.0

europac rational 2.31.0

europac lab 2.32.0

europac mobile 2.33.0

europac special 2.34.0

europac lab HF 2.35.0

europac accessories 2.36.0

metripac 2.40.0

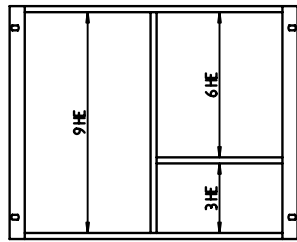
19" chassis 2.50.0

Modules 2.60.0

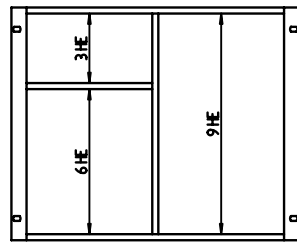
Accessories 2.70.0

Appendix 2.80.0

Mounting height 9 U subdivided
Version 1

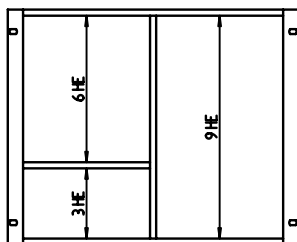


BZA42768

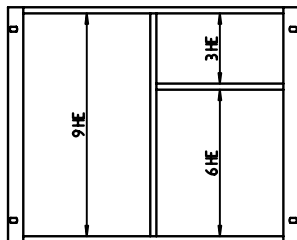


BZA42769

Version 2



BZA42770



BZA42771

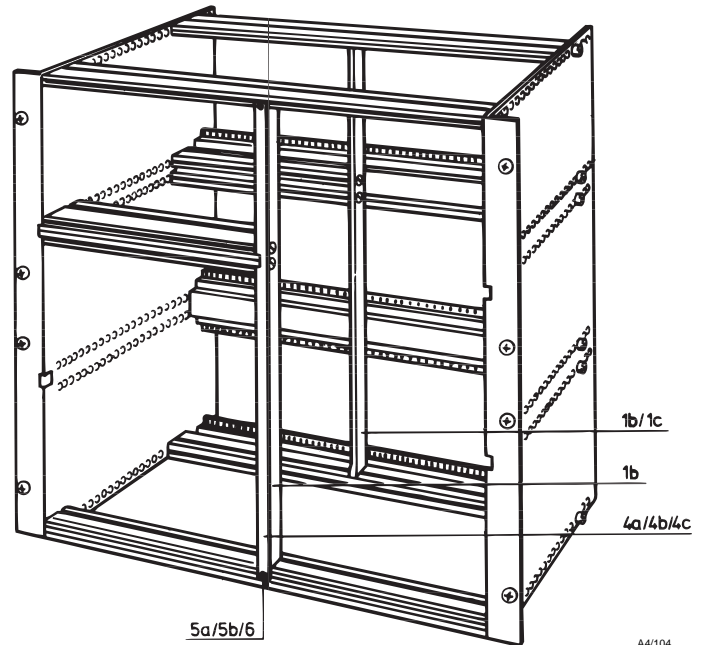
Individual parts 9 U

Shortened horizontal rails ("rails" length = required mounting width $w + 1$ HP) see overview

Please order threaded inserts separately

Note

Select the "partial width front panel 2 HP with notch" version appropriate for the location of the mounting height 3 U (see drawing).



A4/104

Item	Qty	Description	Material/finish	Remarks	Order no.
1b	1	Standard support member 9 U	Aluminium extrusion, clear chromated	2 support members necessary per subrack	30897-203
1c	1	Support member 9 U	Aluminium extrusion, clear chromated		30819-988
2c	1 kit (100 pieces)	Cheesehead screws with hexagon socket M 5 × 12	St, zinc-plated	For horizontal rail to support member (item 1b)	21100-575
3	1 kit (100 pieces)	Pozidrive c/sk screws, M 2.5 × 12	St, zinc-plated	For horizontal rails to support member, depth (1c), 2 pieces required per support member	21100-234
5a	1 kit (100 pieces)	Collar screws with slot M 2.5 × 11	nickel-plated black	For mounting partial width front panels (item 4)	21100-379
5b	1 kit (100 pieces)	Pozidrive collar screws M 2.5 × 11	nickel-plated		21100-748
			black		21100-749
6	1 kit (100 pieces)	Washers 2.7 × 5 × 1	PA-6		21101-121