

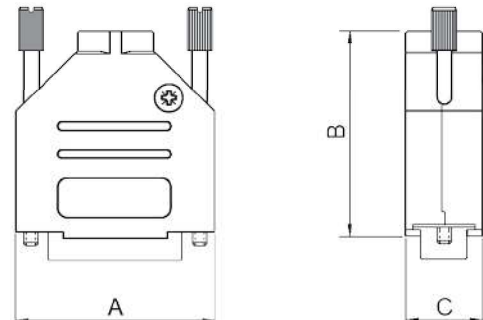
TECHNICAL SPECIFICATIONS

D-Sub Hood:

Material:	Zinc, Nickel Plated
Operating Temperature:	-40°C to +120°C
Cable Entry:	Top Entry
Thumbscrews:	UNC 4-40 (Standard)
Cable O.D:	Up to 11,5mm (Size 9-37) Up to 17mm (Size 50)

D-Sub Crimp:

Insulator:	PBT, Black, UL94 V-0
Shell:	Stamped Steel, Tin Plated
Contact pins:	Copper Alloy
Machined pins Class 2:	200 inserts min
Contacts Plating:	Hard Gold over Nickel
Operating Temperature:	-55°C to +125°C
Test voltage:	1000V
Insulator resistance:	<5GΩ
Crimp Area (AWG):	AWG 24-20 0.2 - 0.6mm ²



D-Sub-Hood

Size DTZK	Dim A	Dim B	Dim C
9-way	31,0	39,5	15,0
15-way	39,5	41,5	15,0
25-way	53,5	48,5	15,0
37-way	71,0	53,0	15,0

Features:

- Available in sizes 9-15-25-37
- Packed in Kit with FEMALE/MALE Crimp-connector
- Re-openable
- Full Metal Jackscrew as standard.

Ordering information:*D-Sub Connector Kits (100 inserts min.)*

Size:	P/N - Kitted:	Product Code - MALE Conn. Kit
9-way	6355-0050-01	DTZK09-DBCP-K
15-way	6355-0050-02	DTZK15-DBCP-K
25-way	6355-0050-03	DTZK25-DBCP-K
37-way	6355-0050-04	DTZK37-DBCP-K

Size:	P/N - Kitted:	Product Code - FEMALE Conn. Kit
9-way	6355-0050-11	DTZK09-DBCS-K
15-way	6355-0050-12	DTZK15-DBCS-K
25-way	6355-0050-13	DTZK25-DBCS-K
37-way	6355-0050-14	DTZK37-DBCS-K