

## **Modular Plug RJ45 (8P8C)**



### **Modular Plug (P88FB15 + P88FB50 + P88RB15 + P88RB50 + P88RB50S)**

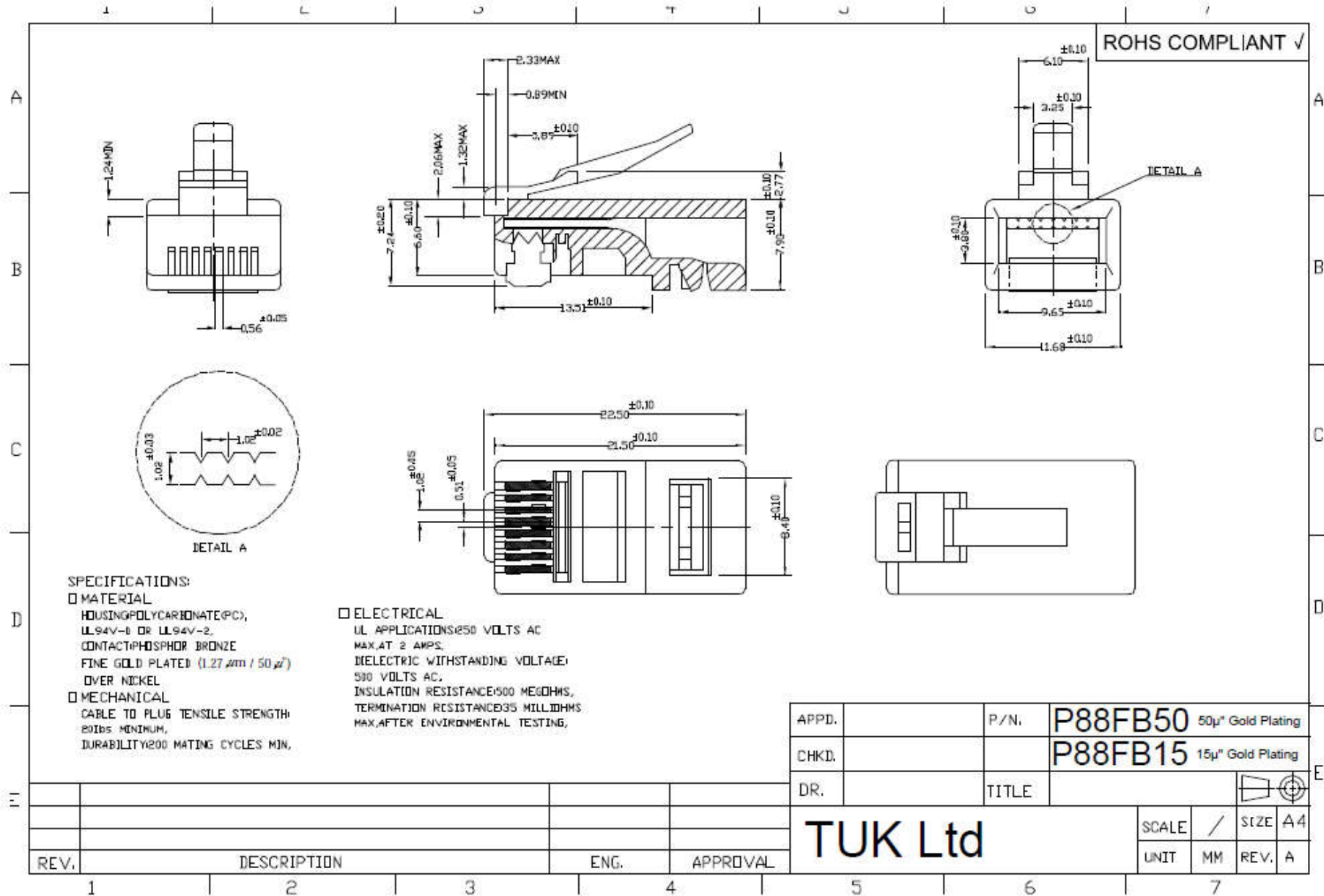
8 position 8 contact plug used mainly for data cabling systems (eg Category 3, 4 and 5e). Known mainly as RJ45 connector but also used in RJ48 and RJ61 applications.

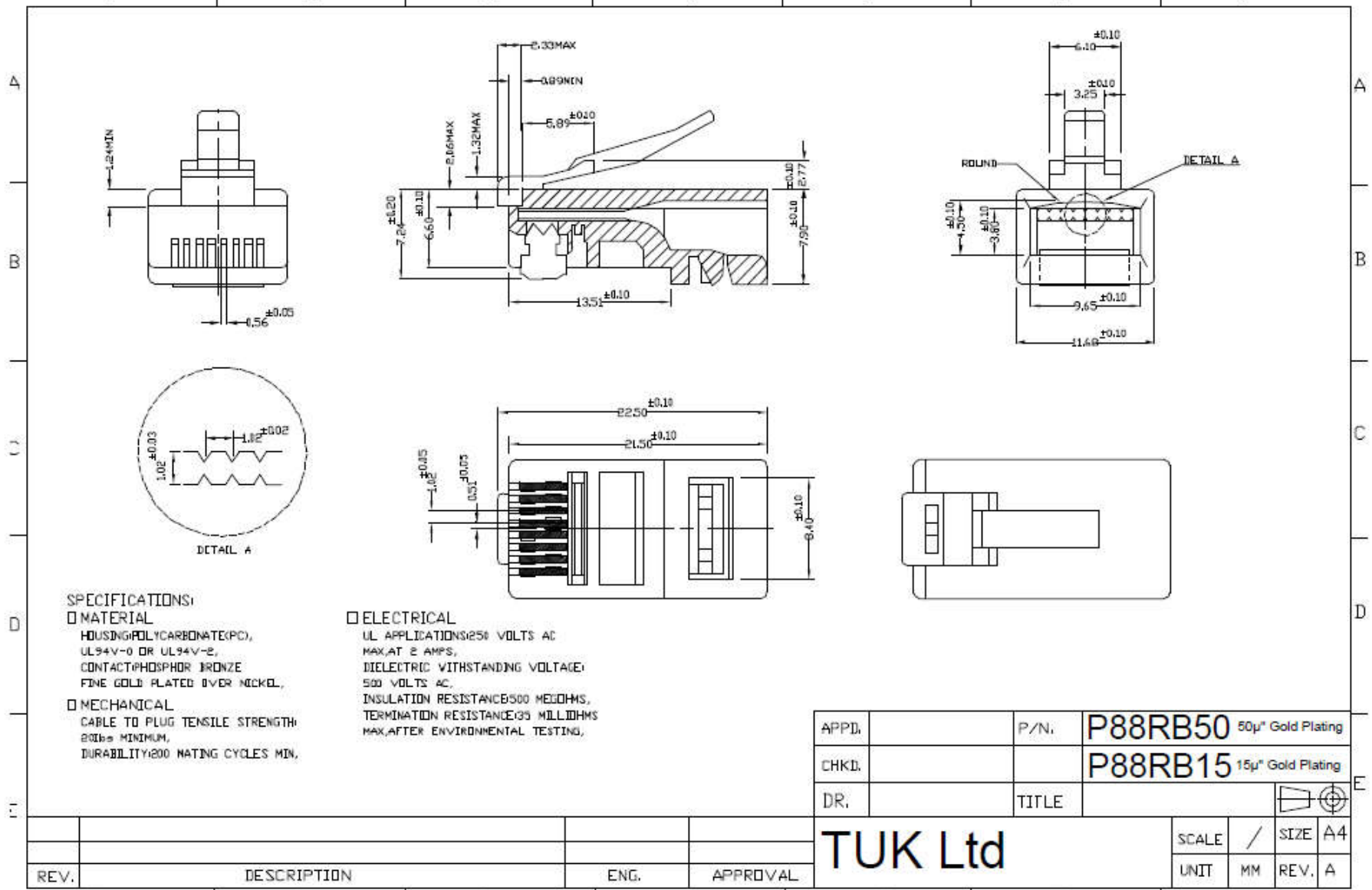
#### ***Features***

- Suitable for round or flat cable
- UL listed
- Contact blades are suitable for stranded and/or solid wire from 24-26 AWG
- Available for UTP (unshielded) and FTP (shielded) cable
- Also available in keyed version known as RJ45S (PCU88k) and 10 position 10 contact versions known as RJ50 (PCW1010 and PGW1010) see 'Other Modular Plugs'
- Customised logos and colours are available to order

#### ***Specifications***

- Housing: Polycarbonate, UL94V
- Contacts: Available in 15µ"/0.38µm and 50µ"/1.27µm gold plating over 100u" / 2.54µm Nickel plate over Phosphor Bronze
- Maximum cable O.D. 6mm  
Core diameter 0.95 – 1.0mm





**SPECIFICATIONS:**

- MATERIAL  
HOUSING: POLYCARBONATE (PC),  
UL94V-0 OR UL94V-2,  
CONTACT: PHOSPHOR BRONZE,  
FINE GOLD PLATED OVER NICKEL.
- MECHANICAL  
CABLE TO PLUG TENSILE STRENGTH:  
200lb MINIMUM,  
DURABILITY: 200 MATING CYCLES MIN.

- ELECTRICAL  
UL APPLICATIONS: 250 VOLTS AC  
MAX. AT 2 AMPS,  
DIELECTRIC WITHSTANDING VOLTAGE:  
500 VOLTS AC,  
INSULATION RESISTANCE: 500 MEGOHMS,  
TERMINATION RESISTANCE: 35 MILLIOHMS  
MAX. AFTER ENVIRONMENTAL TESTING.

APPD.		P/N:	<b>P88RB50</b> 50µ" Gold Plating
CHKD.			<b>P88RB15</b> 15µ" Gold Plating
DR.		TITLE	

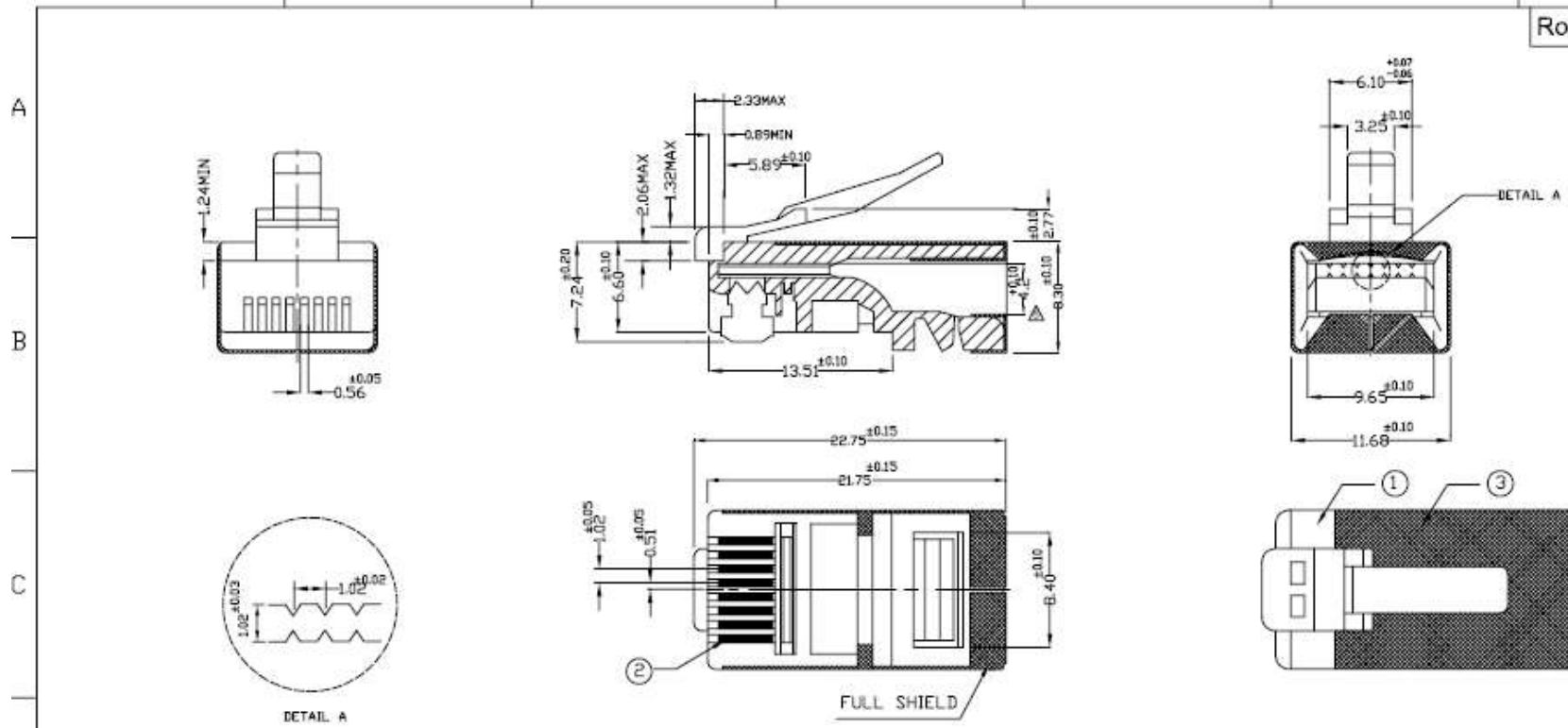
**TUK Ltd**

SCALE	/	SIZE	A4
UNIT	MM	REV.	A

REV.	DESCRIPTION	ENG.	APPROVAL
1	2	3	4

TUK Ltd, Unit 4, Wimbledon Stadium Business Centre, Riverside Road, London, SW17 0BA

RoHS COMPLIANT



③	Shielded	COPPER	————	1	ZSPG881XX
②	CONTACT	COPPER	————	8	GPXXXXX
①	HOUSING	PC	8P	1	PH88X100XS0
NO.	NAME	MATERIAL	SPECIFICATION	QTY'	REMARK
APPD.		P/N	P88RB50S		
CHKD.		FILE	50µ" Gold Plating		
DR.		TITLE	8P8C-Round-"BN"Mark-Shielded		

B/0	Change "4.5±0.1" to "4.2±0.1"				
REV.	DESCRIPTION	ENG.	DATE	APPROVAL	

<b>TUK Ltd</b>		SCALE	/	SIZE	A4
		UNIT	MM	REV.	B/0

TUK Ltd, Unit 4, Wimbledon Stadium Business Centre, Riverside Road, London, SW17 0BA