



# Integrated Miniaturized Antenna for 27 MHz Wireless RF Applications

**TCA51B** is an advanced integrated antenna for use in various wireless application, ideal for high-sensitivity, low profile design.

### Features:

- Miniaturized size
- Omni-direction
- Low interference design
- Wide bandwidth
- Light weight
- High gain

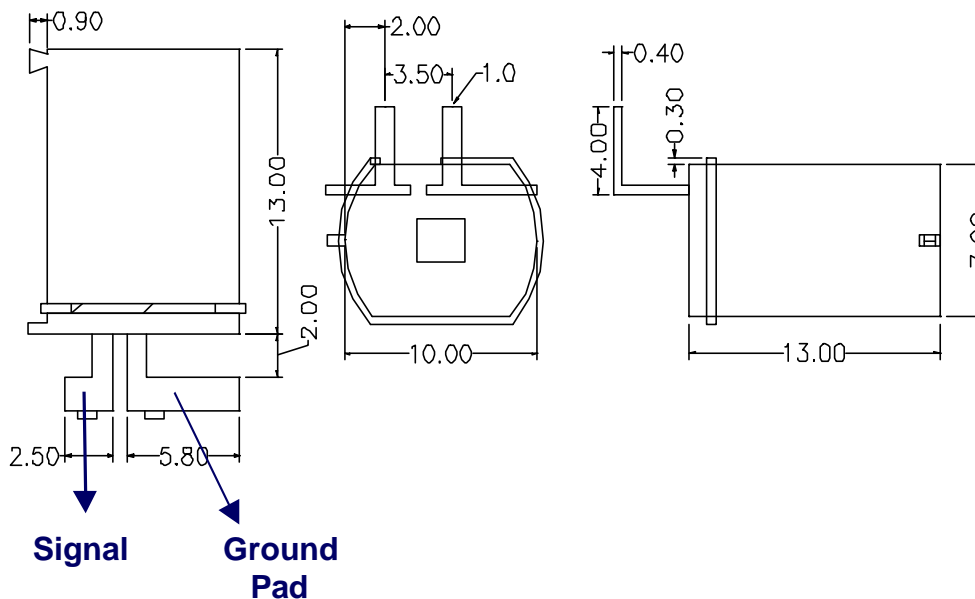
### Specification:

- Part No. TCA51B
- Center Frequency 27MHz
- Band width 400kHz
- Operating Temp. -20°C~70°C
- Storage Temp. -20°C~90°C
- Weight 1.2g

### Applications:

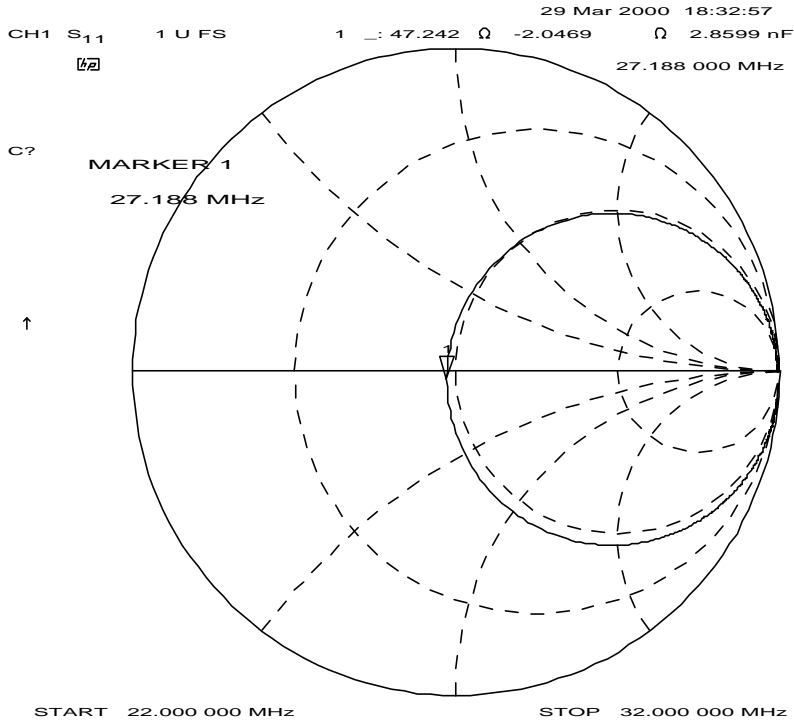
- Wireless Keyboard
- Wireless Mouse
- Wireless Hand-Free Earphone
- RF Toy
- Remote Control Unit
- Transceiver Module

### Outline Dimensions (Unit:mm)

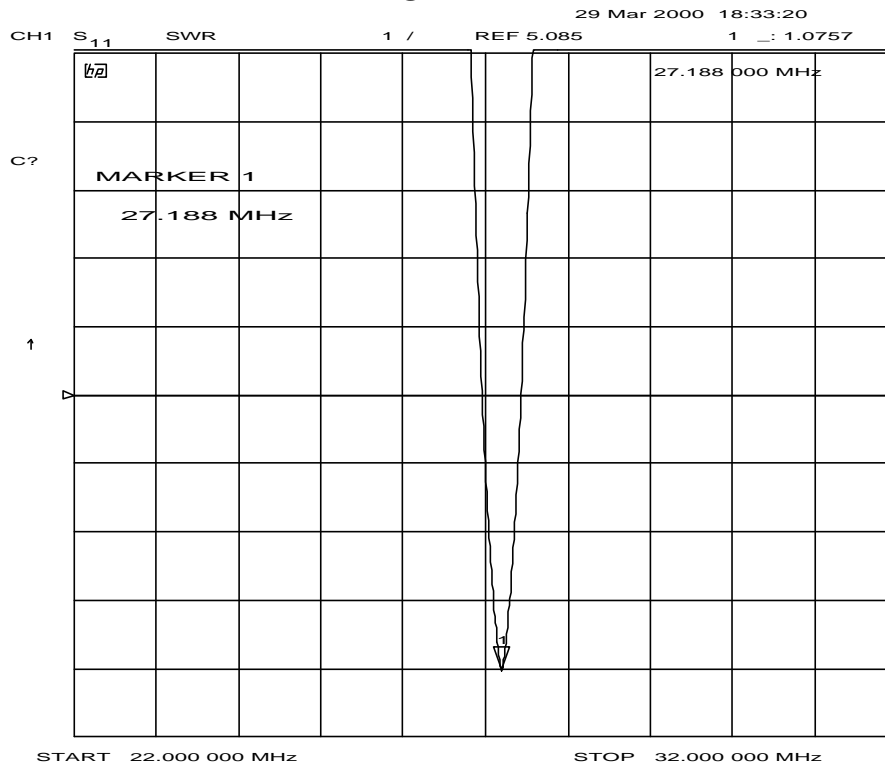




# Input Characteristics On a Test PC Board Smith Chart



## VSWR

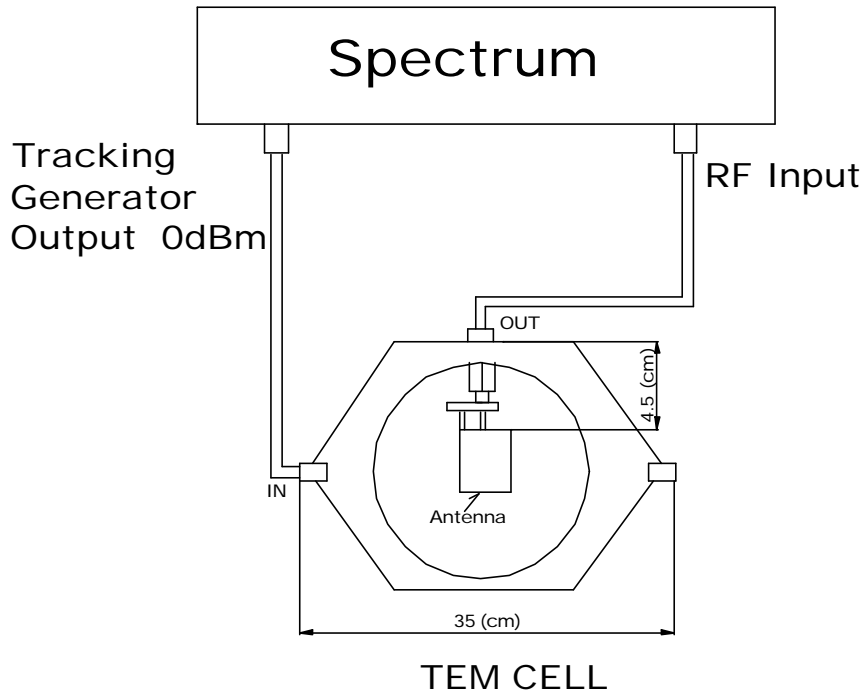




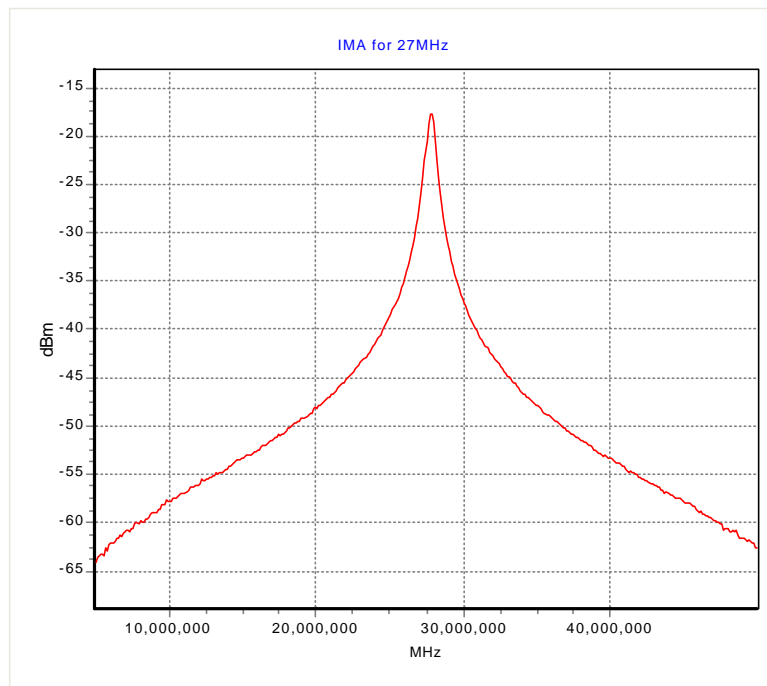
# Power Captured in the TEM Cell

Ver 1.6 12/21/2001

## Test Setup



## Measurement Result



This specification , prepared by TriCOME , is believed to be accurate and reliable . But TriCOME reserves the right to make any change or improvement without further notice.